

BEACON SNOOT

Item No: 2059758

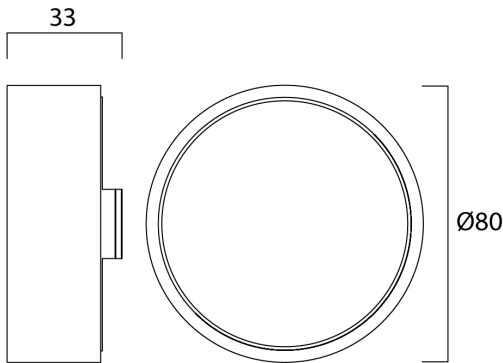
Concord



Snoot accessory, black RAL 9006, attachment for reducing glare and controlling light spill, ideal for increasing visual comfort in museum, gallery and high-end retail applications, suitable for use with Beacon, Beacon Accent, Beacon Muse Tune II and Beacon Muse II, dimension: Ø80x33mm.

Technical Assets

Dimensions (mm)



Photometrics

General data

Product name	BEACON SNOOT
Technology	Accessory
Accessory type	Optical
Environment	Internal
General application	Museums & Galleries, Retail
ETIM Class	EC002558
E-number FI	4280835
Warranty	5 years

Optical data

Adjustable chromaticity	N
-------------------------	---

Physical data

Nominal Product Length (mm)	33
Nominal Product Width (mm)	80
Weight (kg)	0.04

BEACON SNOOT

Item No: 2059758

Concord

Packaging

Product EAN number	5025768597581
Packaging single length / height (cm)	27.5
Packaging single width (cm)	25.0
Packaging single depth (cm)	12.5
DUN14 (inner)	05025768597581
Units per outer package	1
Packaging outer length / height (cm)	27.5
Packaging outer width (cm)	25.0
Packaging outer depth (cm)	12.5

Safety data

Glow Wire Test (°C)	650
---------------------	-----