

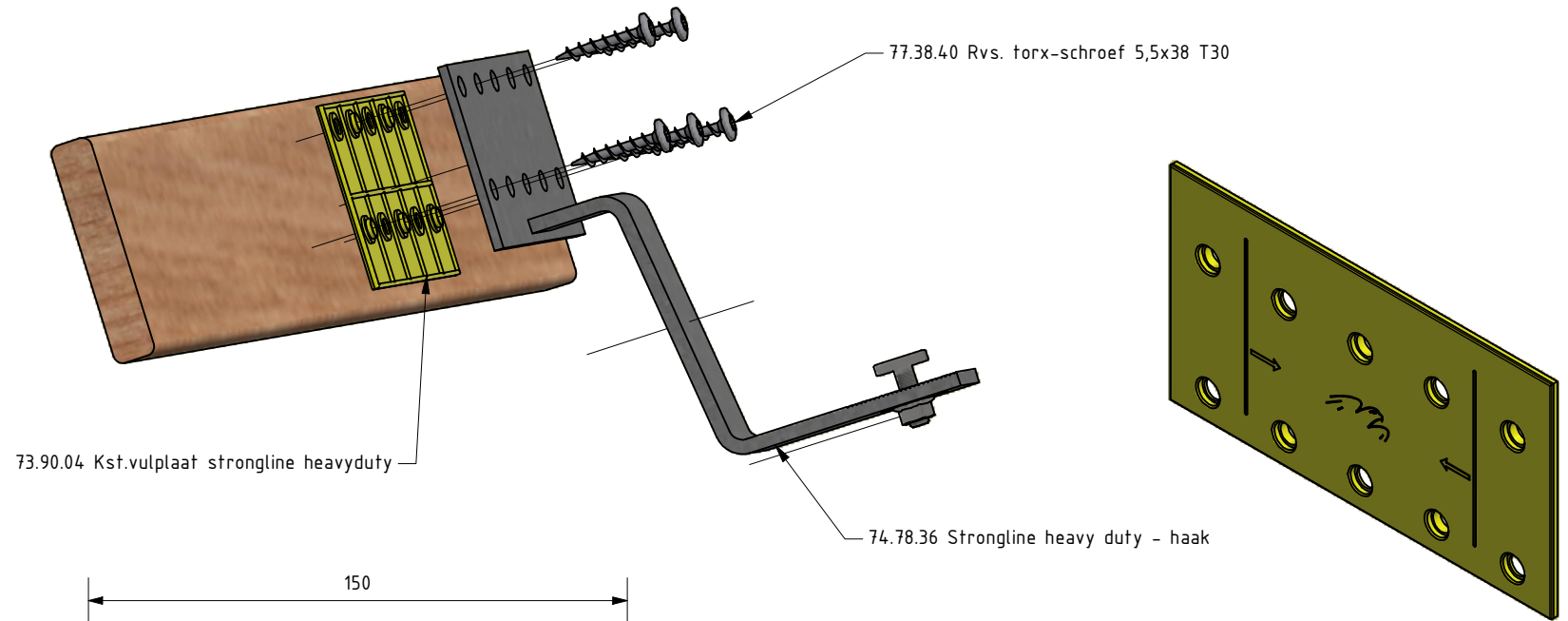


Art. nr: 73.90.04

Description:
Kst.vulplaat strongline heavyduty

Revision: A

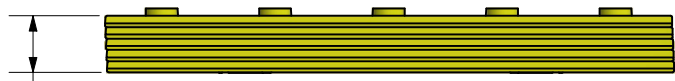
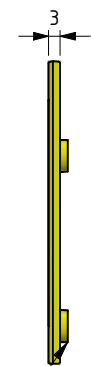
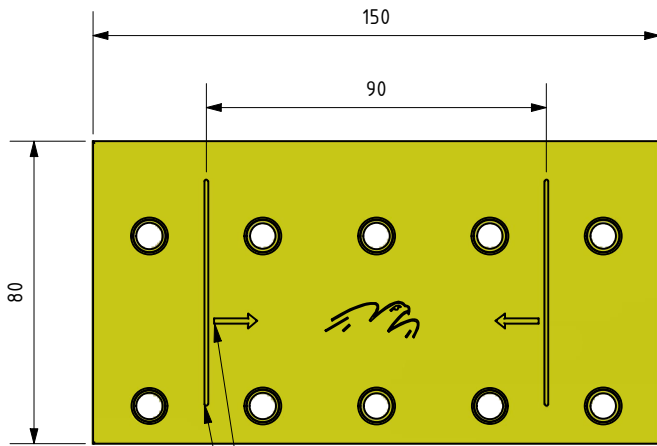
Comments:



73.90.04 Kst.vulplaat strongline heavyduty

77.38.40 Rvs. torx-schroef 5,5x38 T30

74.78.36 Strongline heavy duty - haak



15 - a maximum of 5 plates on top of each other

part you use after sawing
saw point smaller plate

cam to align the plates