

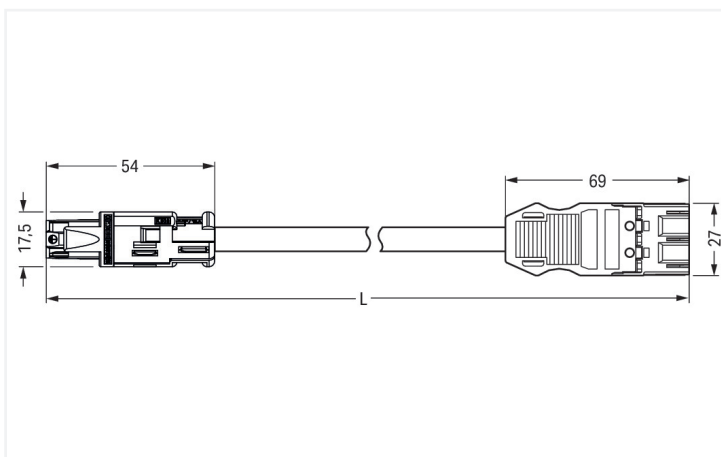
Data Sheet | Item Number: 774-9373/1566-805

pre-assembled adapter cable; Cca; Socket/plug MIDI; 3-pole; Cod. S; H05Z1Z1-F
3x1,5 mm²; 8 m; 1,50 mm²; brown

<https://www.wago.com/774-9373/1566-805>



Color: ■ brown



Dimensions in mm

Cable assembly *WINSTA*® RD with protection type IP20

For power and signal transmission: The *WINSTA*® RD cable assembly 3-pole. The pluggable installation connectors with spring pressure connection technology work without screw connections. They allow resource-efficient, error-free installation in a large number of applications. The coding options reduce installation errors, allowing fast, maintenance-free wiring of all components. The pluggable installation connector offers touch-proof protection

with live components in accordance with protection type IP20 (When mated: IP2xC (These compact connectors are not designed for use in open, easily accessible areas!)). WINSTA® RD: Solutions from this product line fit into drill holes and conduits with diameters up to 20 mm. Mandatory compliance with fire protection regulations is an essential issue for building installation. Especially in sensitive areas, the fire class must meet or even exceed legal requirements. This product complies with the requirements of fire class C. The cable assembly is free of halogen. This eliminates the addition of environmental pollutants during production. It also increases the fire class, since halogen-free materials do not easily ignite.

Fast, error-free assembly thanks to cable assemblies from WAGO

A RD socket and a MIDI plug are available. WINSTA® is the pluggable connection system that is ideally tailored to the strict requirements of electrical installation. It allows fast, secure and, above all, error-free installation of components and cables. Now you can also lower installation expenses without compromising safety and quality: with marking reduces the need for servicing and prevents unnecessary downtime.

- protection against mismatching eliminates errors
- saves time, since no wiring is required at the construction site
- for AC applications
- custom-engineered solutions
- convenient installation and commissioning

Notes

Note Cables with a different fire class can be found in the eShop.

Electrical data

Ratings per	IEC/EN 60664-1		
Overvoltage category	III	III	II
Pollution degree	3	2	2
Nominal voltage	250 V	-	-
Rated impulse withstand voltage	4 kV	-	-
Rated current	16 A	-	-

General information

Note on contact resistance approx. 1 mΩ of contact resistance
approx. 0.25 mΩ contact transition plug/ socket

Connection Data

Total number of potentials 3

Connection 1

Pole number 3
Wire cross-section 1.5 mm²
Connection type RD socket - MIDI plug

Physical data

Width 27 mm / 1.063 inches
Height 17.5 mm / 0.689 inches
Total length 8 m

Mechanical data

Use Switching function
Coding S
Variable coding No
Marking 1 2 L
Potential marking L 2 1
Mating force of a plug-in connection Approx. 30 ... 70 N (depending on pole number)
Retention force of a plug-in connection when locked: > 80N
Unmating force of a plug-in connection Unlocked: approx. 30 ... 70 N (depending on pole number)
Number of mating cycles 200, without resistive load
Connection type RD socket - MIDI plug
Type of pre-assembled cable Adapter cable
Cable type H05Z1Z1-F 3x1.5

Mechanical data

Protection type	IP20; When mated: IP2xC (These compact connectors are not designed for use in open, easily accessible areas!)
-----------------	---

Plug-in connection

Mismating protection	Yes
Note on mismating protection	All <i>WINSTA</i> ® components are 100% protected against mismating when: a.) plugging different numbers of poles b.) plugging while incorrectly rotated c.) plugging while laterally staggered
Locking of plug-in connection	Locking lever

Material data

Note (material data)	Information on material specifications can be found here
Color	brown
Insulation material (main housing)	Polyamide (PA66)
Flammability class per UL94	V0
Fire class per EN 50575	C _{ca}
Contact material	Copper or copper alloy; surface-treated
Contact Plating	Tin
Fire load	0.487 MJ
Connector color	brown
Strain relief color	black
Sheathed cable color	black
Printing color of sheathed cable	white
Halogen-free	Yes
Silicon-free	Yes
Sheath material	Halogen-free
Rubber cable	No
Weight	822.5 g
Copper weight of the raw cable	0.043 kg/m

Environmental requirements

Processing temperature	-5 ... +40 °C
Continuous operating temperature	-35 ... +85 °C
Note on continuous operating temperature	Cable for temperatures ≤ 70 °C (including halogen-free) Insulating parts for temperatures ≤ 105 °C




Commercial data

PU (SPU)	1 pcs
Packaging type	unpacked
Country of origin	DE
GTIN	4055143810050
Customs tariff number	85444290900

Product Classification	
UNSPSC	26121629
eCl@ss 10.0	27-44-06-04
eCl@ss 9.0	27-44-06-04
ETIM 9.0	EC002587
ETIM 10.0	EC002587
ECCN	NO US CLASSIFICATION

Environmental Product Compliance	
RoHS Compliance Status	Compliant, No Exemption

Approvals / Certificates

General approvals	Declarations of conformity and manufacturer's declarations																								
  																									
<table border="1"> <thead> <tr> <th>Approval</th> <th>Standard</th> <th>Certificate Name</th> </tr> </thead> <tbody> <tr> <td>CCA DEKRA Certification B.V.</td> <td>EN 61535</td> <td>NTR NL-7969</td> </tr> <tr> <td>CCA DEKRA Certification B.V.</td> <td>EN 61984</td> <td>NTR NL-7848</td> </tr> <tr> <td>KEMA/KEUR DEKRA Certification B.V.</td> <td>EN 61535</td> <td>71-123229</td> </tr> <tr> <td>KEMA/KEUR DEKRA Certification B.V.</td> <td>EN 61984</td> <td>71-114944</td> </tr> </tbody> </table>	Approval	Standard	Certificate Name	CCA DEKRA Certification B.V.	EN 61535	NTR NL-7969	CCA DEKRA Certification B.V.	EN 61984	NTR NL-7848	KEMA/KEUR DEKRA Certification B.V.	EN 61535	71-123229	KEMA/KEUR DEKRA Certification B.V.	EN 61984	71-114944	<table border="1"> <thead> <tr> <th>Approval</th> <th>Standard</th> <th>Certificate Name</th> </tr> </thead> <tbody> <tr> <td>EU-Declaration of Confor- mity WAGO GmbH & Co. KG</td> <td>-</td> <td>-</td> </tr> <tr> <td>UK-Declaration of Confor- mity WAGO GmbH & Co. KG</td> <td>-</td> <td>-</td> </tr> </tbody> </table>	Approval	Standard	Certificate Name	EU-Declaration of Confor- mity WAGO GmbH & Co. KG	-	-	UK-Declaration of Confor- mity WAGO GmbH & Co. KG	-	-
Approval	Standard	Certificate Name																							
CCA DEKRA Certification B.V.	EN 61535	NTR NL-7969																							
CCA DEKRA Certification B.V.	EN 61984	NTR NL-7848																							
KEMA/KEUR DEKRA Certification B.V.	EN 61535	71-123229																							
KEMA/KEUR DEKRA Certification B.V.	EN 61984	71-114944																							
Approval	Standard	Certificate Name																							
EU-Declaration of Confor- mity WAGO GmbH & Co. KG	-	-																							
UK-Declaration of Confor- mity WAGO GmbH & Co. KG	-	-																							

Downloads

Environmental Product Compliance	
Compliance Search	
Environmental Product Compliance 774-9373/1566-805	