

28 508 980 Product version from 6/1/2024



- spray head Ø 92mm
- Three settings: COMPACT RAIN, COMPACT SOFT FLOW, COMPACT AQUAPRESSURE FLOW, max. flow rate 9 l/min (at 3 bar)
- Function from: 7 l/min
- with anti-scale system

Technical data:

- 200-mm projection
- ball-joint pivotable through 30°
- rosette 60 x 60 mm
- 1/2" connection

Notes:

	Brushed Platinum	28 508 980-06
	Chrome	28 508 980-00
	Platinum	28 508 980-08
	Dark Chrome	28 508 980-19
	Brushed Light Gold (PVD)	28 508 980-27
	Brushed Durabrass (23kt Gold)	28 508 980-28
	Matte Black	28 508 980-33
	Brushed Gold (PVD)	28 508 980-37
	Brushed Dark Brass (PVD)	28 508 980-39
	Brushed Bronze (PVD)	28 508 980-42
	Brushed Dark Bronze (PVD)	28 508 980-43
	Brushed Champagne (22kt Gold)	28 508 980-46
	Champagne (22kt Gold)	28 508 980-47
	Brushed Chrome	28 508 980-93
	Brushed Dark Platinum	28 508 980-99

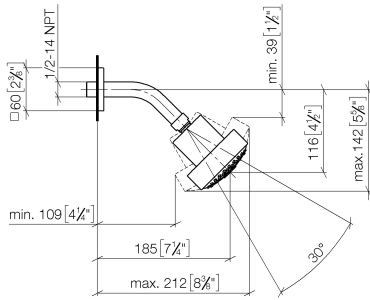
Recommended miscellaneous

- Concealed wall elbow -** 35 085 970 90
- min. recess depth 90 mm
 - max. recess depth 163 mm



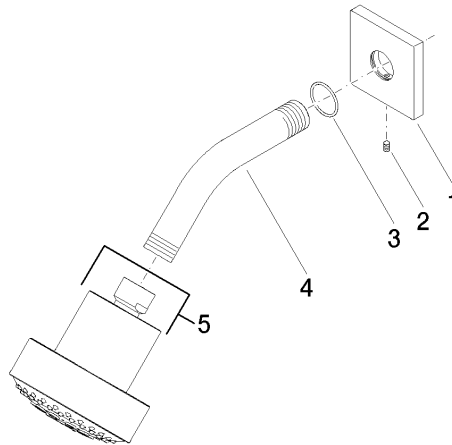
28 508 980 Product version from 6/1/2024

mm [inches]



Flow rate chart





Spare parts list

No.	Item Number	Name	Quantity used	Delivery time
3	09 14 10 098 90	O-Ring 22,0 x 1,6 mm -	1.00	14
1	09 27 98 003-06	Rosette 60 x 60 x 9 x Ø 24 mm - Brushed Platinum	1.00	20
5	04 12 11 110 00-06	Spray Overhead shower 93 x 113 x 100 mm - Brushed Platinum	1.00	20
2	09 31 11 048 90	Mounting Threaded pin with hexagon socket with point M4 x 8 mm -	1.00	14
4	09 11 03 011-06	Connection 140 x 65 x 21 mm - Brushed Platinum	1.00	20