

**Towel ring round - Matte Black**

SERIES SPECIFIC

83 200 979 Product version from 7/1/2023

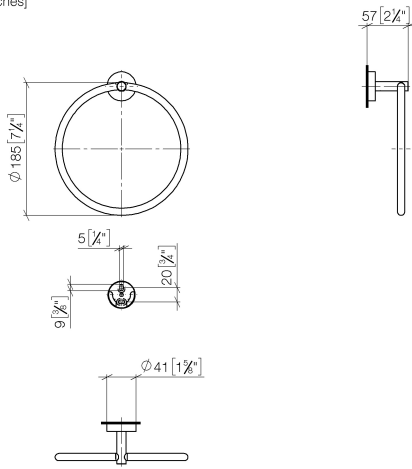


- width 185mm
- rosette Ø 40 mm
- 55mm projection

	Matte Black	83 200 979-33
	Chrome	83 200 979-00
	Brushed Platinum	83 200 979-06
	Dark Chrome	83 200 979-19
	Light Gold (PVD)	83 200 979-26
	Brushed Light Gold (PVD)	83 200 979-27
	Brushed Gold (PVD)	83 200 979-37
	Brushed Dark Brass (PVD)	83 200 979-39
	Brushed Bronze (PVD)	83 200 979-42
	Brushed Dark Bronze (PVD)	83 200 979-43
	Brushed Champagne (22kt Gold)	83 200 979-46
	Champagne (22kt Gold)	83 200 979-47
	Brushed Chrome	83 200 979-93
	Brushed Dark Platinum	83 200 979-99

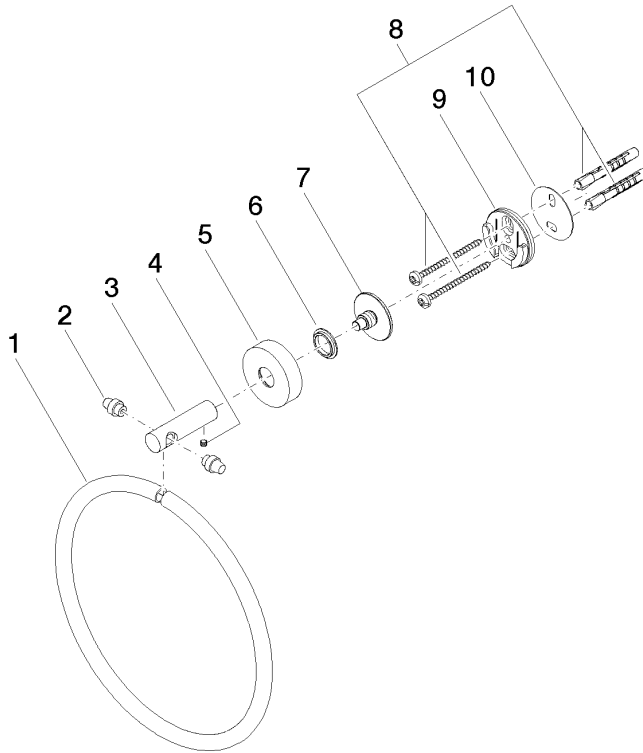
83 200 979 Product version from 7/1/2023

mm [inches]



83 200 979 Product version from 7/1/2023

Parts for other finishes can be found here: [Chrome](#)



## Spare parts list

No.	Item Number	Name	Quantity used	Delivery time
3	08 17 97 568-33	Holder for towel ring Ø 13 x 50 mm - Matte Black	1.00	40
4	90 31 11 038 00 90	Mounting Threaded pin with hexagon socket with cup point M4 x 3 mm -	1.00	14
7	08 17 97 560 90	Holder Ø 32 x 16 mm -	1.00	14
10	05 30 11 519 00 90	Mounting Damper Ø 36 x 1 mm -	1.00	14
8	05 30 31 025 00 90	Mounting Bolt Round head 4,5 x 60 mm -	1.00	14
1	08 18 80 500-33	Holder 185 x 185 x 10 mm - Matte Black	1.00	40
6	08 30 11 516 90	Ring Ø 20 x 3 mm -	1.00	14
5	08 27 97 500-33	Rosette Ø 40,5 x 11 mm - Matte Black	1.00	40
9	08 17 97 501 07	Holder Ø 38 x 9 mm -	1.00	14
2	08 31 20 550 90	Plug for towel ring -	2.00	14