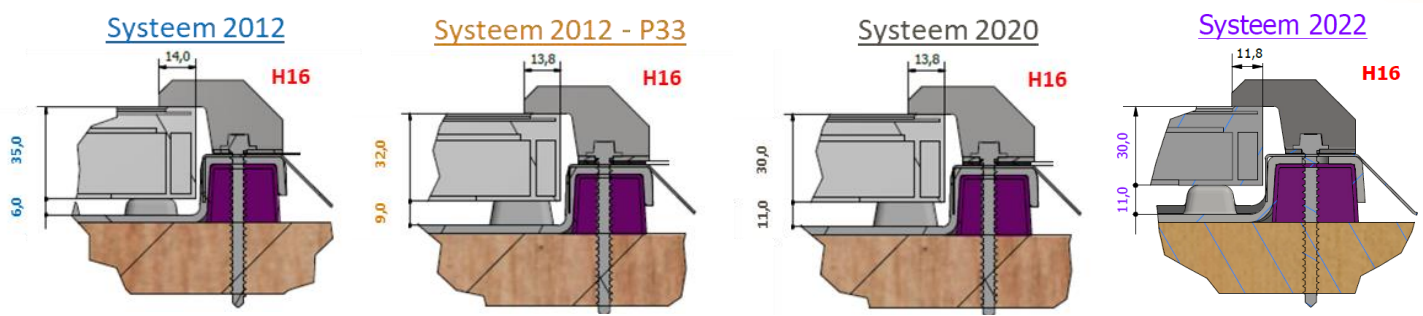


# GSE In-Roof – Systemontwikkeling



Ref.	Zonnepanelen afmetingen					Klemmen															Compatibiliteit met dubbele junctionbox						
	Hoogte			Breedte		Zonnepanelen dikte (mm)																					
	Min. getolereerd	Min. geadviseerd	Max.	Min. geadviseerd	Max.	30	31	32	33	34	35	36	37	38	39	40	41	42	43	44		45	46	47	48	49	50
<b>PORTRAIT</b>																											
<b>Versie 2012</b>																											
1580_808	1500	1540	1680	803	808										H16	H19	H21	H23	H26	H27					H31	NEEN	
1575_1046	1495	1535	1675	1041	1046										H16	H19	H21	H23	H26	H27					H31	NEEN	
1575_1053	1495	1535	1675	1048	1053										H16	H19	H21	H23	H26	H27					H31	NEEN	
1575_1082	1495	1535	1675	1077	1082										H16	H19	H21	H23	H26	H27					H31	NEEN	
1640_992	1560	1600	1740	987	992										H16	H19	H21	H23	H26	H27					H31	NEEN	
1640_1001	1560	1600	1740	996	1001										H16	H19	H21	H23	H26	H27					H31	NEEN	
1640_1001_33	1560	1600	1740	996	1001					H16	H19	H21	H23	H26	H27									H31		NEEN	
1686-1700_1016	1605	1645	1755	1011	1016										H16	H19	H21	H23	H26	H27					H31	NEEN	
<b>Versie 2020</b>																											
1710_995	1630	1670	1780	990	995	H16	H19	H21	H23	H26	H27				H31												JA
1710_1000	1630	1670	1780	995	1000	H16	H19	H21	H23	H26	H27				H31												JA
1710_1005	1630	1670	1780	1000	1005	H16	H19	H21	H23	H26	H27				H31												JA
1710_1010	1630	1670	1780	1005	1010	H16	H19	H21	H23	H26	H27				H31												JA
1710_1020	1630	1670	1780	1015	1020	H16	H19	H21	H23	H26	H27				H31												JA
1710_1025	1630	1670	1780	1020	1025	H16	H19	H21	H23	H26	H27				H31												JA
1710_1030	1630	1670	1780	1025	1030	H16	H19	H21	H23	H26	H27				H31												JA
1710_1040	1630	1670	1780	1035	1040	H16	H19	H21	H23	H26	H27				H31												JA
1710_1045	1630	1670	1780	1040	1045	H16	H19	H21	H23	H26	H27				H31												JA
1710_1050	1630	1670	1780	1045	1050	H16	H19	H21	H23	H26	H27				H31												JA
1710_1055	1630	1670	1780	1050	1055	H16	H19	H21	H23	H26	H27				H31												JA
<b>Versie 2022</b>																											
DPo_1650_995	1570	1610	1800	990	995	H16	H19	H21	H23	H26	H27				H31												JA
DPo_1650_1070	1570	1610	1800	1065	1070	H16	H19	H21	H23	H26	H27				H31												JA
DPo_1650_1100	1570	1610	1800	1095	1100	H16	H19	H21	H23	H26	H27				H31												JA
DPo_1650_1135	1570	1610	1800	1130	1135	H16	H19	H21	H23	H26	H27				H31												JA
DPo_1650_1140	1570	1610	1800	1135	1140	H16	H19	H21	H23	H26	H27				H31												JA
DPo_1650_1160	1570	1610	1800	1155	1160	H16	H19	H21	H23	H26	H27				H31												JA
DPo_1840_995	1760	1800	1990	990	995	H16	H19	H21	H23	H26	H27				H31												JA
DPo_1840_1020	1760	1800	1990	1015	1020	H16	H19	H21	H23	H26	H27				H31												JA
DPo_1840_1030	1760	1800	1990	1025	1030	H16	H19	H21	H23	H26	H27				H31												JA
DPo_1840_1070	1760	1800	1990	1065	1070	H16	H19	H21	H23	H26	H27				H31												JA
DPo_1840_1135	1760	1800	1990	1130	1135	H16	H19	H21	H23	H26	H27				H31												JA
<b>LANDSCAPE</b>																											
<b>Versie 2012</b>																											
1559_1082	1002	1042	1182	1554	1559										H16	H19	H21	H23	H26	H27					H31	NEEN	
1575_1082	1002	1042	1182	1570	1575										H16	H19	H21	H23	H26	H27					H31	NEEN	
1580_808	728	768	908	1575	1580										H16	H19	H21	H23	H26	H27					H31	NEEN	
1640_992	912	952	1092	1635	1640										H16	H19	H21	H23	H26	H27					H31	NEEN	
1650_992	912	952	1092	1645	1650										H16	H19	H21	H23	H26	H27					H31	NEEN	
1660_992	912	952	1092	1655	1660										H16	H19	H21	H23	H26	H27					H31	NEEN	
1670_992	912	952	1092	1665	1670										H16	H19	H21	H23	H26	H27					H31	NEEN	
1675_992_33	912	952	1092	1670	1675					H16	H19	H21	H23	H26	H27										H31	NEEN	
1680_992	912	952	1092	1675	1680										H16	H19	H21	H23	H26	H27					H31	NEEN	
1686_1016	912	952	1092	1681	1686										H16	H19	H21	H23	H26	H27					H31	NEEN	
1700_1016	912	952	1092	1695	1700										H16	H19	H21	H23	H26	H27					H31	NEEN	
<b>Versie 2020</b>																											
1665_1020	940	980	1120	1660	1665	H16	H19	H21	H23	H26	H27				H31												JA
1675_1020	940	980	1120	1670	1675	H16	H19	H21	H23	H26	H27				H31												JA
1680_1020	940	980	1120	1675	1680	H16	H19	H21	H23	H26	H27				H31												JA
1685_1020	940	980	1120	1680	1685	H16	H19	H21	H23	H26	H27				H31												JA
1690_1020	940	980	1120	1685	1690	H16	H19	H21	H23	H26	H27				H31												JA
1695_1020	940	980	1120	1690	1695	H16	H19	H21	H23	H26	H27				H31												JA
1700_1020	940	980	1120	1695	1700	H16	H19	H21	H23	H26	H27				H31												JA
1705_1020	940	980	1120	1700	1705	H16	H19	H21	H23	H26	H27				H31												JA
1720_1020	940	980	1120	1715	1720	H16	H19	H21	H23	H26	H27				H31												JA
1740_1020	940	980	1120	1735	1740	H16	H19	H21	H23	H26	H27				H31												JA