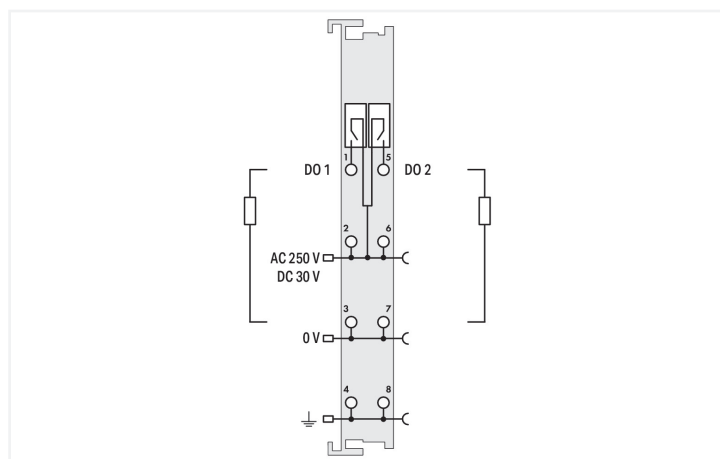
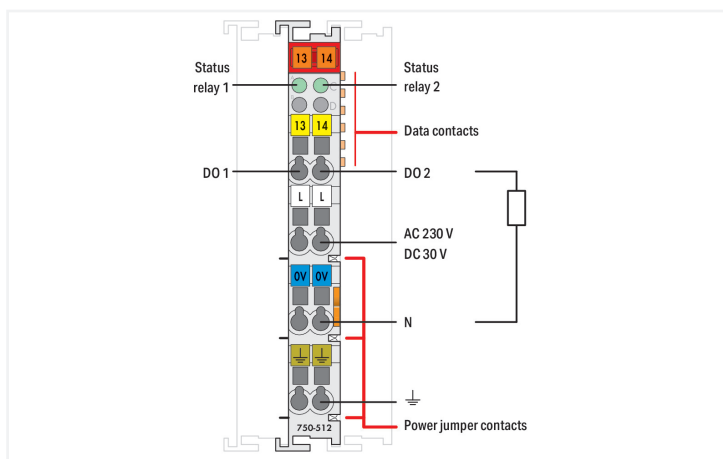


Color: ■ light gray



This digital output module transmits control signals from the automation device to the connected actuators. The internal system voltage triggers the relay. Note that the power jumper contacts supply both "N" (common point) and switched output voltages (this may be DC or AC). The state of the relay is indicated by a LED. **Notice:** An additional supply module must be added for 250 VAC/30 VDC supply!

Technical data

| | |
|-----------------------------------|--------------------------|
| Number of digital outputs | 2 |
| Total number of channels (module) | 2 |
| Signal type | Digital |
| Actuator connection | 2 x (2-wire, 3-wire) |
| Output circuit design | 2 make contacts Relay |
| Output characteristic | non-floating |
| Pull-in time (max.) | 10 ms |
| Drop-out time (max.) | 10 ms |
| Bounce time (typ.) | 1.2 ms |
| Switching frequency (max.) | 0.5 Hz; Nominal load |
| Switching voltage (max.) | 250 VAC, 30 VDC |
| Switching current (max.) | 2 A |
| Switching voltage (min.) | 5 V |

Technical data

| | |
|---|---|
| Switching current (min.) | 10 mA |
| Switching power | 500 VA / 60 W (purely resistive load); $\cos \varphi$ max. = 0.4; L/R max. = 7 ms |
| Electrical switching operations (min.) (at max. resistive load) | 300 x 10 ³ switching operations |
| Mechanical switching operations (min.) (at max. resistive load) | 20 x 10 ⁶ switching operations |
| Output data width (internal) max. | 2 bits |
| Supply voltage (system) | 5 VDC; via data contacts |
| Current consumption (5 V system supply) | 100 mA |
| Supply voltage (field) | 250 VAC; via power jumper contacts (power supply via blade contact; transmission (field side supply voltage only) via spring contact) |
| Isolation | 1500 V (system/field) |
| Indicators | LED (A, C) green: Status relay 1, relay 2 |
| Number of incoming power jumper contacts | 3 |
| Number of outgoing power jumper contacts | 3 |
| Current carrying capacity (power jumper contacts) | 10 A |

Connection Data

| | |
|---------------------------------|--|
| Connection technology: I/O | 8 x CAGE CLAMP® (outputs) |
| Connectable conductor materials | Copper |
| Connection type | Output |
| Solid conductor | 0.08 ... 2.5 mm ² / 28 ... 14 AWG |
| Fine-stranded conductor | 0.08 ... 2.5 mm ² / 28 ... 14 AWG |
| Strip length | 8 ... 9 mm / 0.31 ... 0.35 inches |

Physical data

| | |
|-----------------------------------|------------------------|
| Width | 12 mm / 0.472 inches |
| Height | 100 mm / 3.937 inches |
| Depth | 69.8 mm / 2.748 inches |
| Depth from upper-edge of DIN-rail | 62.6 mm / 2.465 inches |

Mechanical data

| | |
|---------------------|-------------|
| Mounting type | DIN-35 rail |
| Pluggable connector | fixed |

Material data

| | |
|--------------------|------------------------------|
| Color | light gray |
| Housing material | Polycarbonate; polyamide 6.6 |
| Fire load | 1.041 MJ |
| Weight | 51.5 g |
| Conformity marking | CE |

Environmental requirements

| | |
|--|--|
| Ambient temperature (operation) | 0 ... +55 °C |
| Ambient temperature (storage) | -40 ... +85 °C |
| Protection type | IP20 |
| Pollution degree | 2 per IEC 61131-2 |
| Operating altitude | 0 ... 2000 m / 0 ... 6562 ft |
| Mounting position | Horizontal left, horizontal right, horizontal top, horizontal bottom, vertical top and vertical bottom |
| Relative humidity (without condensation) | 95 % |
| Vibration resistance | 4g per IEC 60068-2-6 |
| Shock resistance | 15g per IEC 60068-2-27 |
| EMC immunity to interference | per EN 61000-6-2, marine applications |

Environmental requirements

| | |
|--|---------------------------------------|
| EMC emission of interference | per EN 61000-6-4, marine applications |
| Exposure to pollutants | per IEC 60068-2-42 and IEC 60068-2-43 |
| Permissible H ₂ S contaminant concentration at a relative humidity 75 % | 10 ppm |
| Permissible SO ₂ contaminant concentration at a relative humidity 75 % | 25 ppm |

Commercial data

| | |
|-----------------------|-----------------|
| Product Group | 15 (I/O System) |
| PU (SPU) | 1 pcs |
| Packaging type | Box |
| Country of origin | DE |
| GTIN | 4045454428938 |
| Customs tariff number | 85371098990 |

Product Classification

| | |
|-------------|----------------------|
| UNSPSC | 32101517 |
| eCl@ss 10.0 | 27-24-26-04 |
| eCl@ss 9.0 | 27-24-26-04 |
| ETIM 9.0 | EC001599 |
| ETIM 10.0 | EC001599 |
| ECCN | NO US CLASSIFICATION |

Environmental Product Compliance

| | |
|---|---|
| CAS-No. | 1303-86-2 1317-36-8 7439-92-1 |
| REACH Candidate List Substance | Diboron trioxide Lead Lead monoxide |
| RoHS Compliance Status | Compliant,With Exemption |
| RoHS Exemption | 6(c) 7(a) 7(c)-I 7(c)-II |
| SCIP notification number (Austria) | bb9eeca-c651-4086-b359-971276849fdc |
| SCIP notification number (Belgium) | 87fd13ca-72cc-49e2-a301-8231c8cbb093 |
| SCIP notification number (Bulgaria) | 8648e2f7-5a6e-47bb-a5b2-9c85a2f17dee |
| SCIP notification number (Czech Republic) | 5cdc449a-b4b8-4e07-b740-f44c91180e1e |
| SCIP notification number (Denmark) | 37ab4fde-1323-4e58-b7e1-bae52f1d39ae |
| SCIP notification number (Finland) | 4da75951-e004-4a11-8fec-6fa85010a42b |
| SCIP notification number (France) | 4927e9db-e489-477c-9039-b88be02793b4 |
| SCIP notification number (Germany) | 6e9038e2-4450-4928-bdb0-f43d9fad74e1 |
| SCIP notification number (Hungary) | 35e83ea5-fd8f-4b9e-803e-be980d5839ef |
| SCIP notification number (Italy) | a6041f14-a3f0-4f5d-ac52-0b8a55152886 |
| SCIP notification number (Netherlands) | 5b60ea45-520b-4b1c-b0d9-e43d62b8c8a7 |
| SCIP notification number (Poland) | b130e665-ced8-4c4b-a484-eca3c180cc58 |
| SCIP notification number (Romania) | cfccd4d0-c90e-46bf-847f-5a5014e31ef7 |
| SCIP notification number (Sweden) | 2086d98e-0cba-4844-9c17-97fde6e413ec |

Approvals / Certificates

General approvals



| Approval | Standard | Certificate Name |
|---|------------------------|---------------------|
| EAC GZO Almaty Standart | TP TC 020/2011 | EAC CoC 03083 |
| KC National Radio Research Agency | Article 58-2, Clause 3 | MSIP-REM-W43-DOM750 |
| UL Underwriters Laboratories Inc. (ORDINARY LOCATIONS) | UL 508 | E175199 |

Declarations of conformity and manufacturer's declarations

| Approval | Standard | Certificate Name |
|--|----------|------------------|
| EU-Declaration of Conformity WAGO GmbH & Co. KG | - | - |
| UK-Declaration of Conformity WAGO GmbH & Co. KG | - | - |

Approvals for marine applications



| Approval | Standard | Certificate Name |
|---|-----------------------|-------------------|
| ABS American Bureau of Shipping | - | 22-2219060 |
| BSH Bundesamt fuer Seeschifffahrt und Hydrographie | - | 1104 |
| BV Bureau Veritas S.A. | - | 13453/E0 BV |
| DNV DNV GL SE | DNV-CG-0339, Aug.2021 | TAA0000194 |
| KR Korean Register of Shipping | - | KR HMB05880-AC001 |
| LR Lloyds Register EMEA | - | LR22180952TA |
| PRS Polski Rejestr Statków | - | TE/1101/880590/23 |
| RINA RINA Germany GmbH | - | ELE343521XG001 |

Approvals for hazardous areas



| Approval | Standard | Certificate Name |
|--|-------------|--|
| ATEX TUEV Nord Cert GmbH | EN 60079-0 | TUEV14ATEX148929X (II 3 G Ex ec IIC T4 Gc) |
| CCC CNEX | CNCA-C23-01 | 2020312310000213 (Ex ec nC IIC T4 Gc) |
| INMETRO TUV Rheinland do Brasil Ltda. | IEC 60079-0 | TUV 12.1297 X |
| UKEx WAGO GmbH & Co. KG | EN 60079-0 | UKCA_WA-GO22UKEX003X_ec nC |
| UL Underwriters Laboratories Inc. (HAZARDOUS LOCATIONS) | UL 121201 | E198726 |

Downloads

Environmental Product Compliance

Compliance Search

Environmental Product Compliance 750-512



Documentation

| Manual | | | | System Description | | | |
|---|------------|-----|------------------------------|---|--|--|--|
| System Manual Series 750/753 ↓ | | | | 750/753 Series I/O-System – General Product Information pdf 953.35 KB ↓ | | | |
| Product Manual 2-channel, 230VAC, 30VDC, 2A AC/DC | V 1.2.1 | pdf | 1948.68 KB ↓ | Overview on WAGO-I/O-SYSTEM 750 approvals pdf 770.48 KB ↓ | | | |
| Bid Text | | | | Instruction Leaflet | | | |
| 750-512 | 12.07.2017 | doc | 30.00 KB ↓ | CCC Ex (Additional information) 26.04.2023 pdf 159.76 KB ↓ | | | |
| 750-512 | 19.02.2019 | xml | 4.99 KB ↓ | | | | |
| ausschreiben.de 750-512 ↓ | | | | | | | |

CAD/CAE-Data

| CAD data | | CAE data | |
|--|--|---|--|
| 2D/3D Models 750-512 ↓ | | EPLAN Data Portal 750-512 ↓ | |
| | | WSCAD Universe 750-512 ↓ | |
| | | ZUKEN Portal 750-512 ↓ | |

Device Files

| Device Driver | | | |
|--|-----------------------|-----|------------------------------|
| WAGO USB Service Kabel Treiber / Serie 750 und 857 | 6.5.3.0 10.09.2014 | zip | 4721.96 KB ↓ |

1 Compatible Products

1.1 Optional Accessories

1.1.1 DIN-rail

1.1.1.1 Mounting accessories



Item No.: 210-196

Aluminum carrier rail; 35 x 8.2 mm; 1.6 mm thick; 2 m long; unslotted; similar to EN 60715; silver-colored



Item No.: 210-198

Copper carrier rail; 35 x 15 mm; 2.3 mm thick; 2 m long; unslotted; according to EN 60715; copper-colored



Item No.: 210-197

Steel carrier rail; 35 x 15 mm; 1.5 mm thick; 2 m long; slotted; similar to EN 60715; silver-colored



Item No.: 210-114

Steel carrier rail; 35 x 15 mm; 1.5 mm thick; 2 m long; unslotted; similar to EN 60715; silver-colored



Item No.: 210-118

Steel carrier rail; 35 x 15 mm; 2.3 mm thick; 2 m long; unslotted; according to EN 60715; silver-colored



Item No.: 210-112

Steel carrier rail; 35 x 7.5 mm; 1 mm thick; 2 m long; slotted; according to EN 60715; "Hole width 25 mm; silver-colored



Item No.: 210-113

Steel carrier rail; 35 x 7.5 mm; 1 mm thick; 2 m long; unslotted; according to EN 60715; silver-colored

1.1.2 Marking

1.1.2.1 Group marker carrier



Item No.: 750-106
Group marker carrier

1.1.2.2 Marker

Item No.: 750-100
Marker card; as a DIN A4 sheet; plain

Item No.: 2009-145/000-006
Mini-WSB Inline; for Smart Printer; 1700 pieces on roll; stretchable 5 - 5.2 mm; plain; snap-on type; blue

Item No.: 2009-145/000-007
Mini-WSB Inline; for Smart Printer; 1700 pieces on roll; stretchable 5 - 5.2 mm; plain; snap-on type; gray

Item No.: 2009-145/000-023
Mini-WSB Inline; for Smart Printer; 1700 pieces on roll; stretchable 5 - 5.2 mm; plain; snap-on type; green

Item No.: 2009-145/000-012
Mini-WSB Inline; for Smart Printer; 1700 pieces on roll; stretchable 5 - 5.2 mm; plain; snap-on type; orange

Item No.: 2009-145/000-005
Mini-WSB Inline; for Smart Printer; 1700 pieces on roll; stretchable 5 - 5.2 mm; plain; snap-on type; red

Item No.: 2009-145/000-024
Mini-WSB Inline; for Smart Printer; 1700 pieces on roll; stretchable 5 - 5.2 mm; plain; snap-on type; violet

Item No.: 2009-145
Mini-WSB Inline; for Smart Printer; 1700 pieces on roll; stretchable 5 - 5.2 mm; plain; snap-on type; white

Item No.: 2009-145/000-002
Mini-WSB Inline; for Smart Printer; 1700 pieces on roll; stretchable 5 - 5.2 mm; plain; snap-on type; yellow

Item No.: 248-501/000-006
Mini-WSB marking card; as card; not stretchable; plain; snap-on type; blue

Item No.: 248-501/000-007
Mini-WSB marking card; as card; not stretchable; plain; snap-on type; gray

Item No.: 248-501/000-023
Mini-WSB marking card; as card; not stretchable; plain; snap-on type; green

Item No.: 248-501/000-017
Mini-WSB marking card; as card; not stretchable; plain; snap-on type; light green

Item No.: 248-501/000-012
Mini-WSB marking card; as card; not stretchable; plain; snap-on type; orange

Item No.: 248-501/000-005
Mini-WSB marking card; as card; not stretchable; plain; snap-on type; red

Item No.: 248-501/000-024
Mini-WSB marking card; as card; not stretchable; plain; snap-on type; violet

Item No.: 248-501
Mini-WSB marking card; as card; not stretchable; plain; snap-on type; white

Item No.: 248-501/000-002
Mini-WSB marking card; as card; not stretchable; plain; snap-on type; yellow

1.1.2.3 Marker carrier



Item No.: 750-103
Group marker carrier

1.1.3 Shield termination

1.1.3.1 Shield clamping saddles



Item No.: 790-108
Shield clamping saddle; 11 mm wide; diameter of compatible conductor; 3 ... 8 mm



Item No.: 790-208
Shield clamping saddle; 12.4 mm wide; 3 ... 8 mm



Item No.: 790-116
Shield clamping saddle; 19 mm wide; diameter of compatible conductor; 7 ... 16 mm



Item No.: 790-216
Shield clamping saddle; 21.8 mm wide; 6 ... 16 mm



Item No.: 790-124
Shield clamping saddle; 27 mm wide; diameter of compatible conductor; 6 ... 24 mm



Item No.: 790-220
Shield clamping saddle; 30 mm wide; 6 ... 20 mm



Item No.: 790-140
Shield clamping saddle; diameter of compatible conductor

1.1.4 Supply module

1.1.4.1 Supply module



Item No.: 750-612

Power Supply; 0 ... 230 V AC/DC

Item No.: 750-609

Power Supply; 230 VAC; fuse holder

Item No.: 750-611

Power Supply; 230 VAC; fuse holder; Diagnostics

1.1.5 System enclosure

1.1.5.1 System enclosure



Item No.: 850-825

IP65 enclosure; Aluminium (RAL 7032); WxHxD (160x100x160 mm); 9 x M12, 4 x M20



Item No.: 850-826

IP65 enclosure; Aluminium (RAL 7032); WxHxD (240x100x160 mm); 4 x M20, 4 x M16, 14 x M12 cable grip



Item No.: 850-827

IP65 enclosure; Aluminium (RAL 7032); WxHxD (320x100x160 mm); 4 x M20, 8 x M16, 17 x M12 cable grip



Item No.: 850-828

IP65 enclosure; Aluminium (RAL 7032); WxHxD (480x100x160 mm); 4 x M20, 10 x M16, 35 x M12 cable grip



Item No.: 850-826/002-000

IP65 enclosure; Aluminium (RAL 7035); WxHxD (240x100x160 mm); 4 x M20, 4 x M16, 14 x M12 cable grip



Item No.: 850-827/002-000

IP65 enclosure; Aluminium (RAL 7035); WxHxD (320x100x160 mm); 4 x M20, 8 x M16, 17 x M12 cable grip



Item No.: 850-828/002-000

IP65 enclosure; Aluminium (RAL 7035); WxHxD (480x100x160 mm); 4 x M20, 10 x M16, 35 x M12 cable grip



Item No.: 850-834

IP65 enclosure; Polyester (RAL 7032); WxHxD (164x100x164 mm); 9 x M12, 4 x M20



Item No.: 850-835

IP65 enclosure; Polyester (RAL 7032); WxHxD (244x100x164 mm); 4 x M20, 4 x M16, 14 x M12 cable grip



Item No.: 850-836

IP65 enclosure; Polyester (RAL 7032); WxHxD (324x100x164 mm); 4 x M20, 8 x M16, 17 x M12 cable grip



Item No.: 850-814/002-000

IP65 enclosure; Sheet steel (RAL 7035); WxHxD (200x120x200 mm); without flange plate



Item No.: 850-815/002-000

IP65 enclosure; Sheet steel (RAL 7035); WxHxD (300x120x200 mm); without flange plate



Item No.: 850-816/002-000

IP65 enclosure; Sheet steel (RAL 7035); WxHxD (400x120x200 mm); without flange plate



Item No.: 850-817/002-000

IP65 enclosure; Sheet steel (RAL 7035); WxHxD (600x120x200 mm); without flange plate