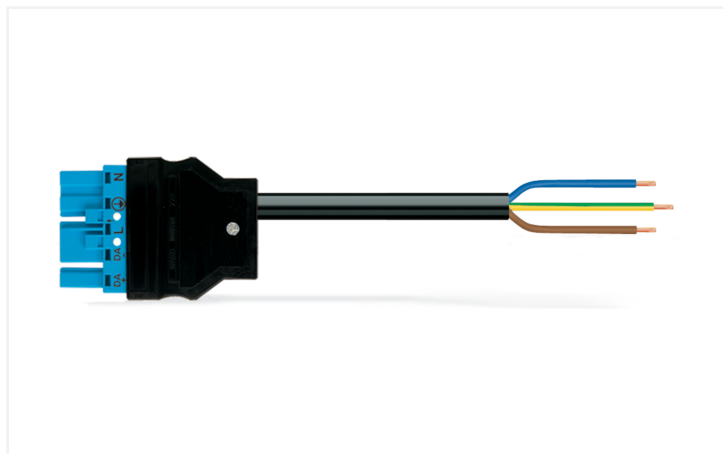


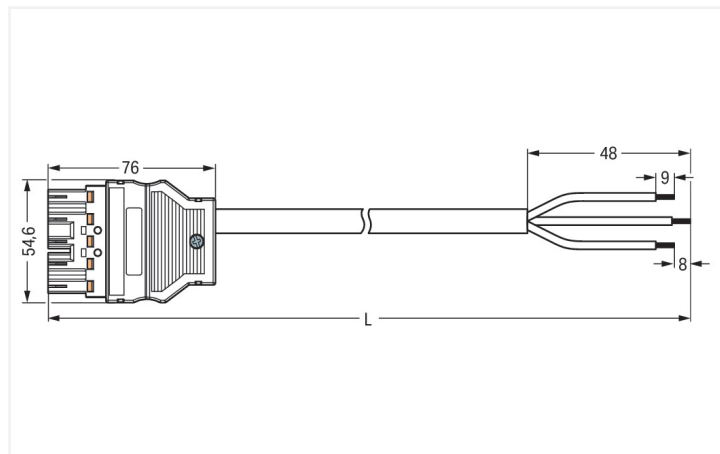
Data Sheet | Item Number: 771-5001/204-000

pre-assembled connecting cable; Cca; Plug/open-ended; 5-pole; Cod. I; H05Z1Z1-F
3G 1.5 mm²; 8 m; 1,50 mm²; blue

<https://www.wago.com/771-5001/204-000>



Color: ■ blue



Dimensions in mm

Cable assembly WINSTA® MIDI I coding

Use effective pluggable connections instead of laborious screw connections: With the WINSTA® MIDI cable assembly I coding. The pluggable installation connectors with spring pressure connection technology work completely without screw connections. They allow fast, efficient, error-free installation in a large number of applications. For greater protection in electrical installations, the pluggable installation connector is equipped with mechanical protection against mismatching. The pluggable installation connector is protected in accordance with protection type IP20 (When mated: IP2xC (These compact connectors are not designed for use in open, easily accessible areas!)). That results in the fact that users' fingers will never come into contact with energised contact elements. I coding in blue is used to label WINSTA® MIDI pluggable installation connectors, which are used above all in automation of buildings for activating lighting. Our WINSTA® MIDI product line achieves flexibility for the electrical installation. Through its Push-in CAGE CLAMP® spring pressure connection technology, it achieves time-saving, error-free installation and offers customization for meeting various installation requirements. If you need to meet stricter safety standards, you should use cables with fire class C. These are suitable for use in buildings with special high demands on safety. In the production of this cable assembly, halogens were deliberately omitted. That is an important contribution to climate protection.

Fast, secure pluggable connections – cable assemblies from WAGO

The cable assembly is provided with a plug and a free end. The WINSTA® Pluggable Connection System allows pluggable electrical installation. This significantly reduces the need for servicing and lowers costs. Take advantage of the pluggable version of our maintenance-free spring pressure connection technology too! Plan your installation with with protection against mismatching from WAGO.

- pluggable installation connectors with protection against mismatching
- pre-assembled versions
- with I coding for use in the automation of buildings (lighting control)
- ready to install and use immediately
- convenient installation and commissioning

Notes

Note Cables with a different fire class can be found in the eShop.

Electrical data

| Ratings per | IEC/EN 60664-1 | | | General information | |
|---------------------------------|----------------|-----|----|----------------------------|--|
| Overvoltage category | III | III | II | Note on contact resistance | approx. 1 mΩ of contact resistance approx. 0.25 mΩ contact transition plug/ socket |
| Pollution degree | 3 | 2 | 2 | | |
| Nominal voltage | 250 V | - | - | | |
| Rated impulse withstand voltage | 4 kV | - | - | | |
| Rated current | 16 A | - | - | | |

Connection Data

| | | | |
|----------------------------|---------------------------|---------------------------------|---------------------|
| Total number of potentials | 3 | Connection 1 | |
| PE function | Preceding PE contact | Strip length | 9 mm / 0.35 inches |
| Conductor preparation | ultrasonically tip-bonded | Pole number | 5 |
| | | Wire cross-section | 1.5 mm ² |
| | | Strip length (outer insulation) | 48 mm |
| | | Connection type | Plug - free end |

Physical data

| | |
|--------------|-----------------------|
| Pin spacing | 10 mm / 0.394 inches |
| Width | 54.6 mm / 2.15 inches |
| Height | 17 mm / 0.669 inches |
| Total length | 8 m |

Mechanical data

| | |
|---|---|
| Use | DALI, Lighting Management |
| Coding | I |
| Variable coding | No |
| Marking | N ⊕ L DA- DA+ |
| Mating force of a plug-in connection | approx. 20 ... 70 N (depending on pole number) |
| Retention force of a plug-in connection | when locked: > 80N |
| Unmating force of a plug-in connection | when unlocked: approx. 20 ... 70 N (depending on pole number) |
| Number of mating cycles | 200, without resistive load |
| Connection type | Plug - free end |
| Type of pre-assembled cable | Connecting cable |
| Cable type | H05Z1Z1-F 3G1.5 |
| Protection type | IP20; When mated: IP2xC (These compact connectors are not designed for use in open, easily accessible areas!) |

Plug-in connection

| | |
|-------------------------------|--|
| Mismating protection | Yes |
| Note on mismating protection | All WINSTA® components are 100% protected against mismating when: a.) plugging different numbers of poles b.) plugging while rotated 180 c.) plugging while laterally staggered d.) plugging one pole |
| Locking lever | Can be retrofitted |
| Locking of plug-in connection | Locking lever |
| Note on locking system | All connectors for mounted installations (snap-in versions for lighting fixtures or devices, all types of PCB and distribution connectors) are factory-equipped with locking levers to ensure plugs and sockets are securely locked. Additional locking levers are only required for flying leads (plug/socket). |

Material data

| | |
|------------------------------------|--|
| Note (material data) | Information on material specifications can be found here |
| Color | blue |
| Insulation material (main housing) | Polyamide (PA66) |
| Flammability class per UL94 | V0 |
| Fire class per EN 50575 | C _{ca} |
| Contact material | Copper or copper alloy; surface-treated |
| Contact Plating | Tin |
| Fire load | 78.201 MJ |
| Connector color | blue |
| Strain relief color | black |
| Sheathed cable color | black |
| Printing color of sheathed cable | white |
| Halogen-free | Yes |
| Silicon-free | Yes |
| Sheath material | Halogen-free |
| Rubber cable | No |
| Weight | 836.2 g |
| Copper weight of the raw cable | 0.043 kg/m |

Environmental requirements

| | |
|--|---|
| Processing temperature | -5 ... +40 °C |
| Continuous operating temperature | -35 ... +85 °C |
| Note on continuous operating temperature | Cable for temperatures ≤ 70 °C (including halogen-free) Insulating parts for temperatures ≤ 105 °C |

Commercial data

| | |
|-----------------------|---------------|
| PU (SPU) | 1 pcs |
| Packaging type | unpacked |
| Country of origin | DE |
| GTIN | 4055143808750 |
| Customs tariff number | 85444290900 |

| Product Classification | |
|------------------------|----------------------|
| UNSPSC | 26121629 |
| eCl@ss 10.0 | 27-44-06-04 |
| eCl@ss 9.0 | 27-44-06-04 |
| ETIM 9.0 | EC002587 |
| ETIM 10.0 | EC002587 |
| ECCN | NO US CLASSIFICATION |

| Environmental Product Compliance | |
|----------------------------------|-------------------------|
| RoHS Compliance Status | Compliant, No Exemption |

Downloads

Environmental Product Compliance

| Compliance Search | |
|--|--|
| Environmental Product Compliance 771-5001/204-000 | |

1 Compatible Products

1.1 Required Accessories

1.1.1 Locking system

1.1.1.1 Locking system

| | | | |
|---|---|---|---|
| | | | |
| Item No.: 770-101 Locking lever; for flying leads; for manual operation; black | Item No.: 770-121 Locking lever; for flying leads; for manual operation; white | Item No.: 770-111 Locking lever; for flying leads; for tool operation; black | Item No.: 770-131 Locking lever; for flying leads; for tool operation; white |

1.2 Optional Accessories

1.2.1 Cover

1.2.1.1 Cover

| |
|--|
| |
| Item No.: 770-360 Lockout cap; for plugs; 5-pole; separable; yellow |

1.2.2 Installation

1.2.2.1 Mounting accessories



Item No.: 770-310

Mounting carrier; 2- to 5-pole; for flying leads; black

1.2.3 Marking

1.2.3.1 Marker



Item No.: 770-450/000-006

Marker card; Plastic; blue



Item No.: 770-450/000-001

Marker card; Plastic; green



Item No.: 770-450/000-012

Marker card; Plastic; orange



Item No.: 770-450/000-005

Marker card; Plastic; red



Item No.: 770-450

Marker card; Plastic; white



Item No.: 770-450/000-002

Marker card; Plastic; yellow

1.2.3.2 Marking strip



Item No.: 210-334

Marking strips; as a DIN A4 sheet; Strip width 5 mm; Strip length 182 mm; plain; Self-adhesive; white