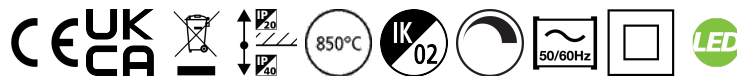


Concord

Solstice 200 2400lm 940 SSA
2070159



Features

- The Solstice 200 2400lm 940 SSA is a high efficient SSA dimmable downlight luminaire, Colour rendering index Ra>90, Colour temperature: 4000K Neutral White, Class II, Protection rating IP40/IP20, Cut out dimensions: 200mm. It can be used with external sensors: 9041523 or 9041524.

Product Overview

Product name	Solstice 200 2400lm 940 SSA
Technology	LED
Cap/Base	N/A
Housing	Aluminium
Mount	Ceiling recessed mounting
E-number FI	4262086
Fixture luminous flux (lm)	2400
Luminaire efficacy (lm/W)	141
LOR (%)	100
Colour temperature (K)	4000
Light colour	Neutral White
CRI (Ra)	90
Colour Consistency (SDCM)	3
Colour Variation Initial (SDCM)	3
Glare control	< 19
Photobiological Risk Group	RG1
Total power consumption (W)	17
Electrical protection	Class II
Control gear type	LED driver constant current
LED Flickering Rate	Ultra low (5% or less)
Housing colour	RAL9016

Concord

Solstice 200 2400lm 940 SSA
2070159

IP rating

IP40/20

IK rating

IK02

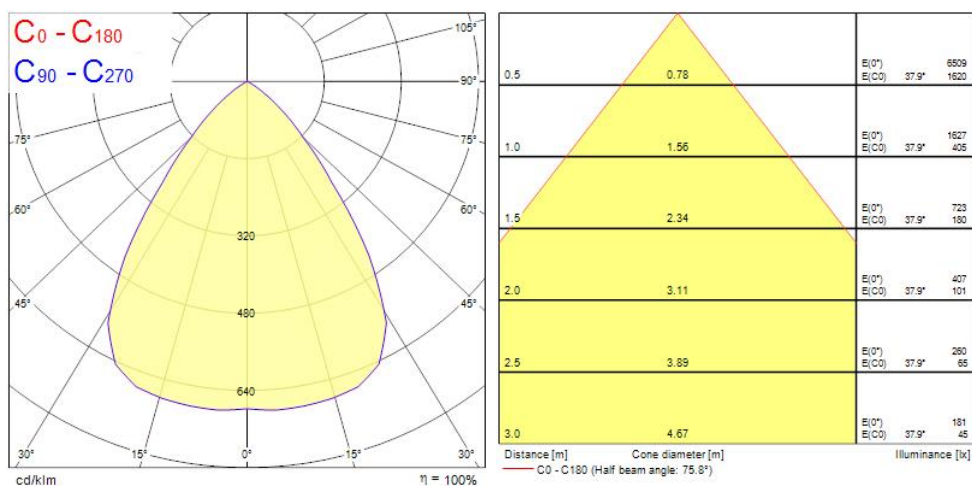
Product EAN number

5025768701599

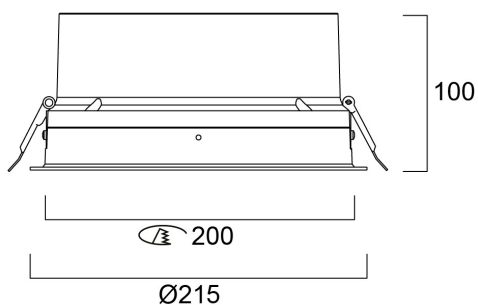
Warranty

5 years

Photometry



Technical drawings



Concord

Solstice 200 2400lm 940 SSA
2070159

Data table

GENERAL DATA

Product name	Solstice 200 2400lm 940 SSA
Technology	LED
Cap/Base	N/A
Housing	Aluminium
Mount	Ceiling recessed mounting
Operating temperature range (°C)	-10°C...+40°C
Performance ambient temperature Tq (°C)	40
E-number FI	4262086
Warranty	5 years

OPTICAL DATA

Fixture luminous flux (lm)	2400
Luminaire efficacy (lm/W)	141
LOR (%)	100
Colour temperature (K)	4000
Light colour	Neutral White
CRI (Ra)	90
Colour Consistency (SDCM)	3
Colour Variation Initial (SDCM)	3
Glare control	< 19
Photobiological Risk Group	RG1

ELECTRICAL DATA

Total power consumption (W)	17
Primary Supply/Product voltage - min (V)	220
Lamp power factor	0.95
Electrical protection	Class II
Control gear required	No
Control gear type	LED driver constant current

Concord

Solstice 200 2400lm 940 SSA
2070159

Drive current (mA)	450
Inrush Current (A)	20
Inrush Duration (µs)	141
Glow Wire Test (°C)	850
Energy Efficiency Class (A->G) of contained light source	C
Nominal Frequency (Hz)	50/60Hz
LED Flickering Rate	Ultra low (5% or less)
Connectable conductor cross section - Min (mm ²)	0.5
Connectable conductor cross section - Max (mm ²)	2.5

LIFETIME DATA

Lifespan L70 B50	120000
Lifespan L80 B20	120000
Lifespan L80 B10	120000
Lifespan L90 B10	68000

PHYSICAL DATA

Housing colour	RAL9016
IP rating	IP40/20
IK rating	IK02
Diffuser finish	Diffuse
Diffuser material	PC Polycarbonate
Nominal Product Diameter (mm)	215
Max. Lamp Diameter (mm) - D	215
Weight (kg)	1.3
Recessed Depth (mm)	150

PACKAGING

Single packaging type	Carton
Product EAN number	5025768701599
Packaging single width (cm)	30.0

Concord

Solstice 200 2400lm 940 SSA
2070159

Packaging single depth (cm)	12.5
DUN14 (outer)	05025768701599
Packaging outer length / height (cm)	30.0

SAFETY DATA

Optimal operating condition (°C)	-10-40
Special purpose lamp	No
Dry applications use only	No
Suitable for household illumination	No