

20 700 360 Product version from 7/31/2009



- 135mm projection
- fixed spout
- circular, air-enriched flow
- height of mixer 72 mm
- height up to aerator 40 mm
- hole diameter valve 32 mm
- hole diameter spout 35 mm
- without rosette
- 2x 1/2" x 1/2" high pressure hose
- max. flow 7 l/min
- lead-free
- This product can help a building meet the requirements of Green Building Rating Systems, e.g. LEED®, BREEAM®, DGNB
- WRAS

Only suitable for basins with an overflow.

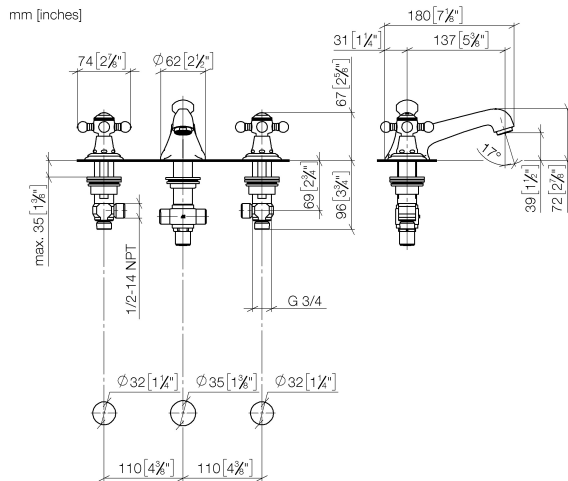
	Brushed Dark Platinum	20 700 360-99
	Chrome	20 700 360-00
	Brushed Platinum	20 700 360-06
	Platinum	20 700 360-08
	Durabrand (23kt Gold)	20 700 360-09
	Brushed Durabrand (23kt Gold)	20 700 360-28
	Brushed Gold (PVD)	20 700 360-37
	Brushed Dark Brass (PVD)	20 700 360-39
	Brushed Bronze (PVD)	20 700 360-42

Recommended miscellaneous

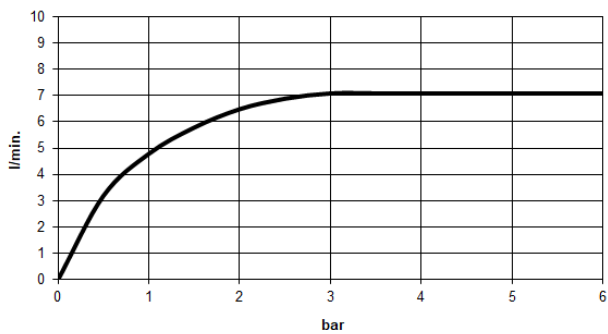


High pressure hoses - 12 506 970 90
 • 2x 3/8" x 1/2" x 500mm high pressure hose

20 700 360 Product version from 7/31/2009



Flow rate chart



Codes & Standards

DIN 4109	EN 200	Executive Order no. 1007	ISO 3822
Scottish Water Byelaws	UK Water Supply Regulations	Ü-Zeichen	VA-Zeichen



MADISON Three-hole basin mixer with pop-up waste - Brushed Dark Platinum

MADISON

20 700 360 Product version from 7/31/2009

Certificates and sustainability

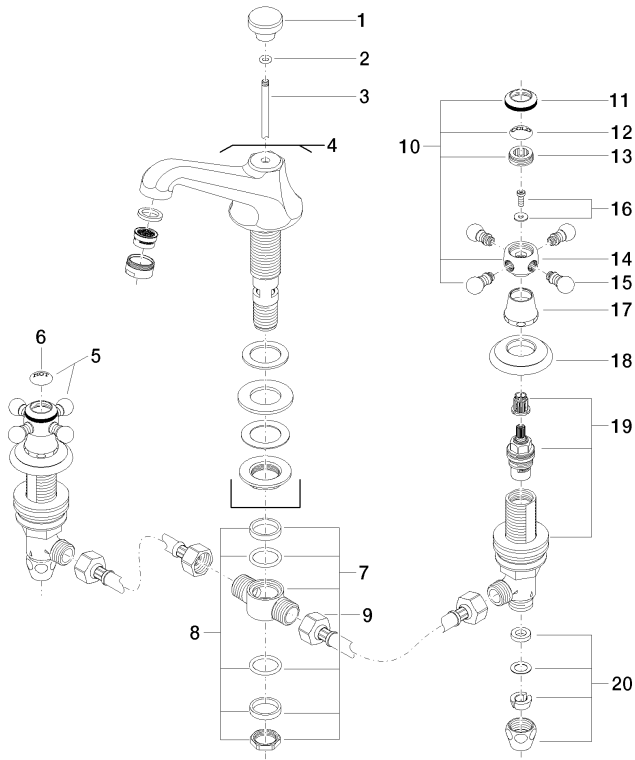
GDV_0400

ETA_17

LGA_8

WRAS_240602

EPD-DOR-20230287
-IBA1-EN
Environmental.prod
uct-declarat



21 Ablaufgarnitur 04.11.01.001.00.FP