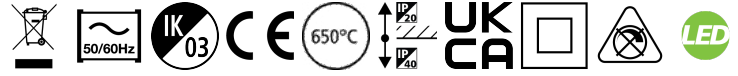


## START SPOT SCOOP 4500LM 940 MB WHITE 0060587



### Features

- Recessed Adjustable Accent Downlight, integrated LED, die cast aluminium body, Ø205mm cut-out, CCT 4000K, SDCM<3, CRI90, 4500lm, total power consumption 48W, resulting in 94lm/W.

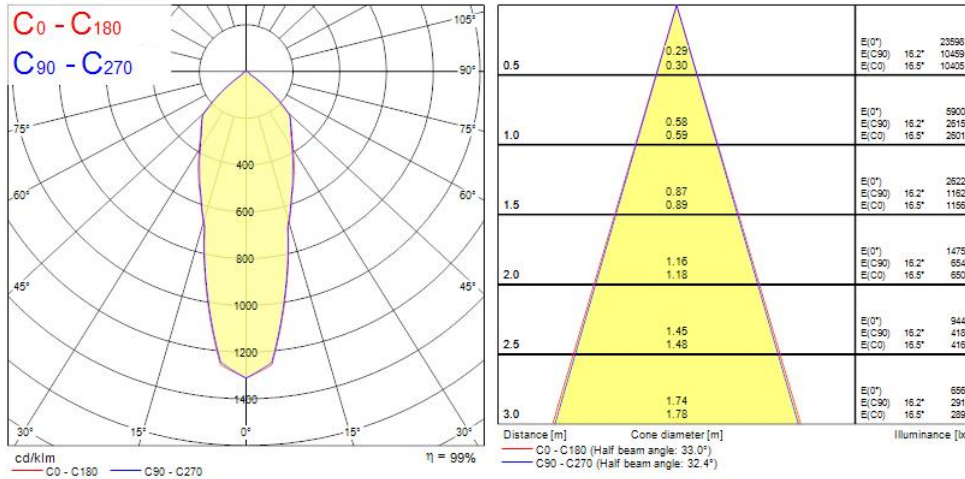
### Product Overview

Product name	START SPOT SCOOP 4500LM 940 MB WHITE
Technology	LED
Housing	Aluminium
Environment	Indoor
General application	Retail
ETIM Class	EC001744
E-number FI	4276984
Fixture luminous flux (lm)	4500
Luminaire efficacy (lm/W)	94
Correlated colour temperature (k)	4000
Light colour	Neutral White
CRI (Ra)	90
Colour Variation Initial (SDCM)	3
Beam Angle (°)	32
Photobiological Risk Group	RG1
Total power consumption (W)	48
Electrical protection	Class II
Dimmable	No
LED Flickering Rate	Medium (21% - 40%)
Housing colour	RAL9016
IP rating	IP40/20
IK rating	IK03

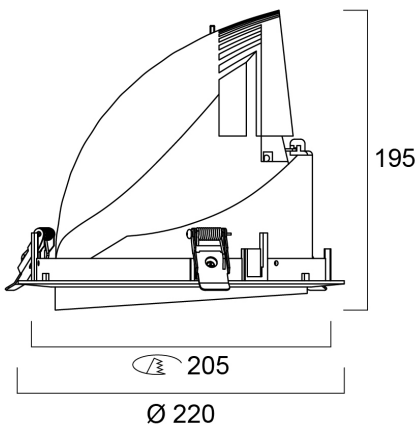
## START SPOT SCOOP 4500LM 940 MB WHITE 0060587

Product EAN number	5410288605876
Warranty	5 years
Colour Code	940

### Photometry



### Technical drawings



### Data table

## START SPOT SCOOP 4500LM 940 MB WHITE 0060587

### GENERAL DATA

Product name	START SPOT SCOOP 4500LM 940 MB WHITE
Technology	LED
Housing	Aluminium
Environment	Indoor
General application	Retail
Operating temperature range (°C)	-10°C...+40°C
Performance ambient temperature Tq (°C)	25
ETIM Class	EC001744
E-number FI	4276984
Warranty	5 years

### OPTICAL DATA

Fixture luminous flux (lm)	4500
Luminaire efficacy (lm/W)	94
Correlated colour temperature (k)	4000
Colour Code	940
Light colour	Neutral White
CRI (Ra)	90
Colour Variation Initial (SDCM)	3
Beam Angle (°)	32
Photobiological Risk Group	RG1

### ELECTRICAL DATA

Total power consumption (W)	48
Current (A)	0.22
Primary Supply/Product voltage - min (V)	220
Primary Supply/Product voltage - max (V)	240
Lamp power factor	0.90
THD (at 230 V, 50 Hz, full load, at 100% dimming level) ≤ xx.x %	20.0
Electrical protection	Class II

## START SPOT SCOOP 4500LM 940 MB WHITE 0060587

Control gear required	No
Dimmable	No
Drive current (mA)	1200
Inrush Current (A)	15
Inrush Duration (µs)	200
Energy Efficiency Class (A->G) of contained light source	E
Nominal Frequency (Hz)	50/60Hz
LED Flickering Rate	Medium (21% - 40%)
Max. products per 10A C Breaker	14
Max. products per 13A C Breaker	18
Max. products per 16A C Breaker	22
Max. products per 20A C Breaker	28

### LIFETIME DATA

Lifespan L70 B50	50000
Lifespan L80 B20	32000
Lifespan L90 B10	15000

### PHYSICAL DATA

Housing colour	RAL9016
IP rating	IP40/20
IK rating	IK03
Diffuser finish	Transparent
Diffuser material	Glass
Nominal Product Length (mm)	220
Nominal Product Width (mm)	220
Nominal Product Height (mm)	195
Weight (kg)	2.2

### PACKAGING

Product EAN number	5410288605876
Packaging single length / height (cm)	23.0
Packaging single width (cm)	23.0

## START SPOT SCOOP 4500LM 940 MB WHITE 0060587

Packaging single depth (cm)	19.0
DUN14 (inner)	15410288605873
Units per outer package	4
Packaging outer length / height (cm)	48.0
Packaging outer width (cm)	48.0
Packaging outer depth (cm)	20.5

### SAFETY DATA

Glow Wire Test (°C)	650
Optimal operating condition (°C)	-10-40
Special purpose lamp	No
Dry applications use only	No
Suitable for household illumination	No