

### Features

- Recessed Adjustable Accent Downlight, integrated LED, die cast aluminium body, Ø155mm cut-out, CCT 4000K, SDCM<3, CRI90, 1950lm, total power consumption 20W, resulting in 98lm/W.



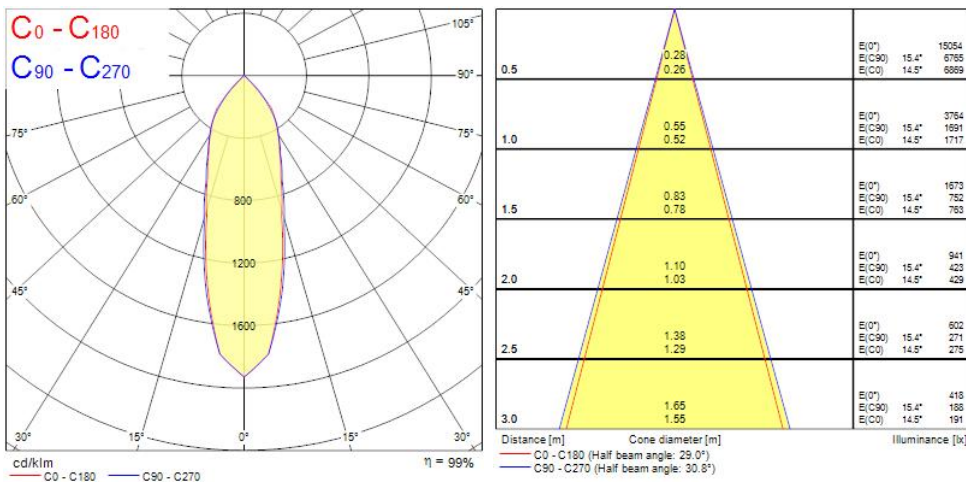
### Product Overview

Product name	START SPOT SCOOP 1950LM 940 MB WHITE
Technology	LED
Housing	Aluminium
Environment	Indoor
General application	Retail
ETIM Class	EC001744
E-number FI	4276980
Fixture luminous flux (lm)	1950
Luminaire efficacy (lm/W)	98
Correlated colour temperature (k)	4000
Light colour	Neutral White
CRI (Ra)	90
Colour Variation Initial (SDCM)	3
Beam Angle (°)	32
Photobiological Risk Group	RG1
Total power consumption (W)	20
Electrical protection	Class II
Dimmable	No
LED Flickering Rate	Medium (21% - 40%)
Housing colour	RAL9016
IP rating	IP40/20

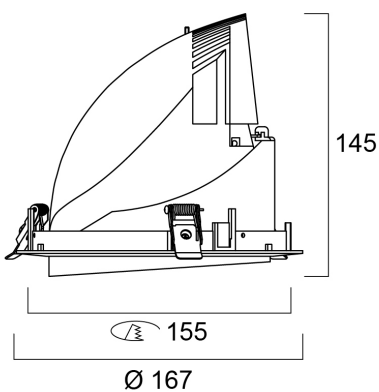
## START SPOT SCOOP 1950LM 940 MB WHITE 0060583

<b>IK rating</b>	IK03
<b>Product EAN number</b>	5410288605838
<b>Warranty</b>	5 years
<b>Colour Code</b>	940

### Photometry



### Technical drawings



## START SPOT SCOOP 1950LM 940 MB WHITE 0060583

### Data table

#### GENERAL DATA

Product name	START SPOT SCOOP 1950LM 940 MB WHITE
Technology	LED
Housing	Aluminium
Environment	Indoor
General application	Retail
Operating temperature range (°C)	-10°C...+40°C
Performance ambient temperature Tq (°C)	25
ETIM Class	EC001744
E-number FI	4276980
Warranty	5 years

#### OPTICAL DATA

Fixture luminous flux (lm)	1950
Luminaire efficacy (lm/W)	98
Correlated colour temperature (k)	4000
Colour Code	940
Light colour	Neutral White
CRI (Ra)	90
Colour Variation Initial (SDCM)	3
Beam Angle (°)	32
Photobiological Risk Group	RG1

#### ELECTRICAL DATA

Total power consumption (W)	20
Current (A)	0.09
Primary Supply/Product voltage - min (V)	220
Primary Supply/Product voltage - max (V)	240
Lamp power factor	0.90

## START SPOT SCOOP 1950LM 940 MB WHITE 0060583

THD (at 230 V, 50 Hz, full load, at 100% dimming level) $\leq$ xx.x %	20.0
Electrical protection	Class II
Control gear required	No
Dimmable	No
Drive current (mA)	500
Inrush Current (A)	10
Inrush Duration ( $\mu$ s)	150
Energy Efficiency Class (A->G) of contained light source	E
Nominal Frequency (Hz)	50/60Hz
LED Flickering Rate	Medium (21% - 40%)
Max. products per 10A C Breaker	33
Max. products per 13A C Breaker	43
Max. products per 16A C Breaker	53
Max. products per 20A C Breaker	66

### LIFETIME DATA

Lifespan L70 B50	50000
Lifespan L80 B20	32000
Lifespan L90 B10	15000

### PHYSICAL DATA

Housing colour	RAL9016
IP rating	IP40/20
IK rating	IK03
Diffuser finish	Transparent
Diffuser material	Glass
Nominal Product Length (mm)	167
Nominal Product Width (mm)	167
Nominal Product Height (mm)	140
Weight (kg)	1.469

### PACKAGING

## START SPOT SCOOP 1950LM 940 MB WHITE 0060583

Product EAN number	5410288605838
Packaging single length / height (cm)	24.1
Packaging single width (cm)	20.0
Packaging single depth (cm)	15.1
DUN14 (inner)	15410288605835
Units per outer package	8
Packaging outer length / height (cm)	49.6
Packaging outer width (cm)	48.2
Packaging outer depth (cm)	33.6

### SAFETY DATA

Glow Wire Test (°C)	650
Optimal operating condition (°C)	-10-40
Special purpose lamp	No
Dry applications use only	No
Suitable for household illumination	No