

28 508 360 Product version from 4/1/2025



- spray head Ø 94mm
- Three settings: COMPACT RAIN, COMPACT SOFT FLOW, COMPACT AQUAPRESSURE FLOW, max. flow rate 9 l/min (at 3 bar)
- Function from: 7 l/min
- with anti-scale system

Technical data:

- 200-mm projection
- ball-joint pivotable through 30°
- rosette Ø 55 mm
- 1/2" connection

Notes:

	Durabrass (23kt Gold)	28 508 360-09
	Chrome	28 508 360-00
	Brushed Platinum	28 508 360-06
	Platinum	28 508 360-08
	Brushed Durabrass (23kt Gold)	28 508 360-28
	Brushed Gold (PVD)	28 508 360-37
	Brushed Dark Brass (PVD)	28 508 360-39
	Brushed Bronze (PVD)	28 508 360-42
	Brushed Dark Platinum	28 508 360-99

Recommended miscellaneous

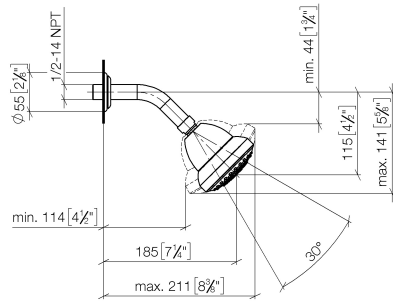
Concealed wall elbow - 35 085 970 90



- min. recess depth 90 mm
- max. recess depth 163 mm

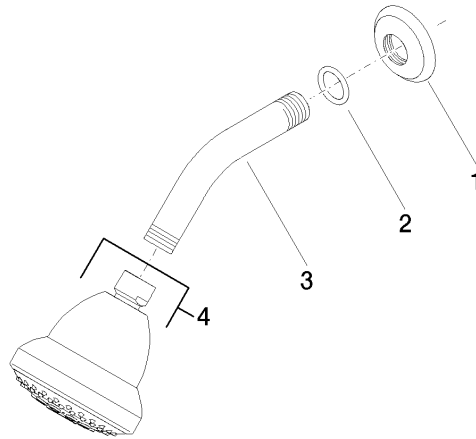
28 508 360 Product version from 4/1/2025

mm [inches]



Flow rate chart





Spare parts list

No.	Item Number	Name	Quantity used	Delivery time
2	90 14 10 026 00 90	O-Ring 20,5 x 3,5 mm -	1.00	14
4	04 12 11 120 00-09	Spray Overhead shower 93 x 113 x 100 mm - Durabronss (23kt Gold)	1.00	-
Spare part can no longer be ordered, please order the replacement item				
1	09 27 35 003-09	Rosette Ø 55 x Ø 27 x 10 mm - Durabronss (23kt Gold)	1.00	54
3	09 11 03 011-09	Connection 140 x 65 x 21 mm - Durabronss (23kt Gold)	1.00	-
Spare part can no longer be ordered, please order the replacement item				