

25 023 360 Product version from 4/1/2025



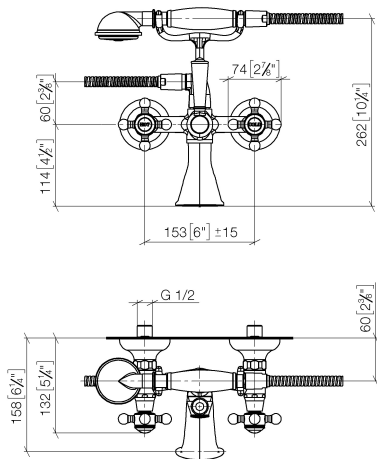
- 160mm projection
- Hand shower: COMPACT RAIN, max. flow rate 9 l/min (at 3 bar)
- spout: rectangular normal flow
- wall bracket
- rotary diverter for bath/shower
- rosette Ø 70 mm
- 1/2" connection
- gauge 153 mm
- metal shower hose 1250mm with integrated anti-twist protection
- max. spout flow rate 26 l/min
- WRAS

Intrinsic protection against back flow.

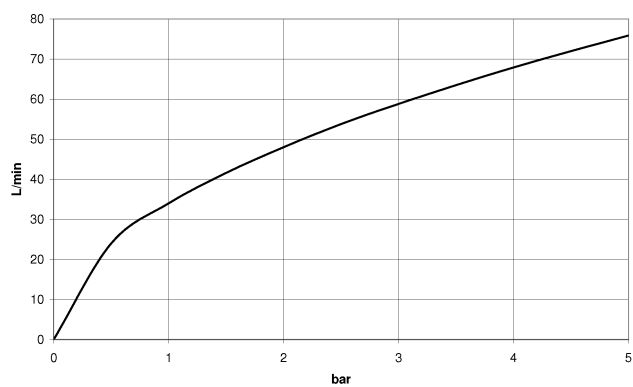
	Chrome	25 023 360-00
	Brushed Platinum	25 023 360-06
	Platinum	25 023 360-08
	Durabrace (23kt Gold)	25 023 360-09
	Brushed Durabrace (23kt Gold)	25 023 360-28
	Brushed Dark Brass (PVD)	25 023 360-39
	Brushed Bronze (PVD)	25 023 360-42
	Brushed Dark Platinum	25 023 360-99

25 023 360 Product version from 4/1/2025

mm [inches]



**Flow rate chart**



**Codes & Standards**

EN 1717

Scottish Water  
Byelaws

UK Water Supply  
Regulations



## MADISON Bath mixer for wall mounting with hand shower set - Chrome

MADISON

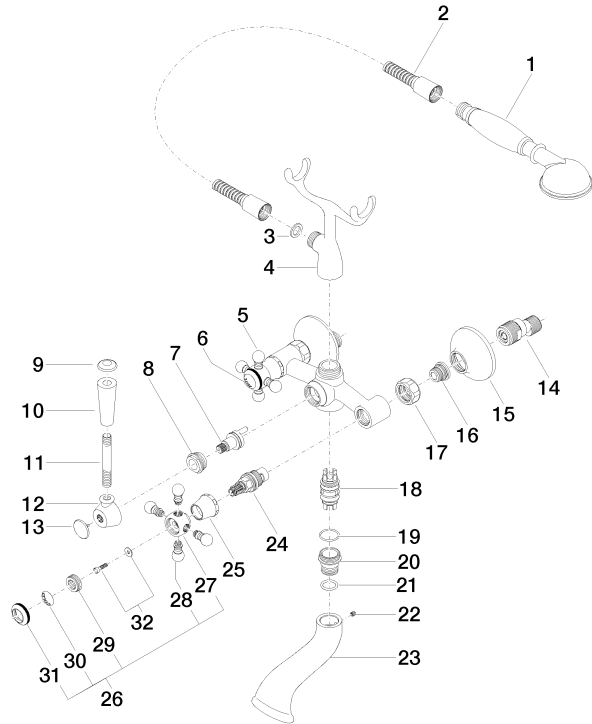
25 023 360 Product version from 4/1/2025

### Certificates and sustainability

Belgaqua_21-378-2	WRAS_240702	EPD-DOR-20230287 -IBA1-EN Environmental.prod uct-declarat
-------------------	-------------	--

25 023 360 Product version from 4/1/2025

Parts for other finishes can be found here: [Brushed](#)  
[Platinum](#)



**Spare parts list**

No.	Item Number	Name	Quantity used	Delivery time
6	09 26 01 011 90	Cover Porcelain insert plate HOT -	1.00	14
14	04 11 04 030 00 90	S-connection with sound damper and seal 1 pair G1/2 x G3/4 -	2.00	14
5	04 20 36 002 07-00	Handle Hot - Chrome	1.00	20
2	28 104 970-00	Metal shower hose 1/2" x 1/2" x 1250 mm - Chrome	1.00	14
8	09 23 10 007 90	Mounting Nut M24 x 1,5 mm -	1.00	14
25	09 21 02 055-00	Cover 24 x 29 x 30 mm - Chrome	2.00	20
7	90 15 01 001 00 90	Diverter -	1.00	14
29	09 20 83 006 90	Handle Ø 21 x 7,5 mm -	2.00	14
24	90 90 03 131 00 90	Head part clockwise closing 1/2" -	2.00	14
30	09 26 01 010 90	Cover Porcelain insert plate COLD -	1.00	14
28	09 20 36 004-00	Handle 15 x 15 x 28 mm - Chrome	8.00	20
17	09 23 30 010-00	Mounting Sleeve nut 3/4" - Chrome	2.00	20
19	90 14 10 056 00 90	O-Ring EPDM 70 21,45 x 1,78 mm -	1.00	14
4	04 17 20 010 00-00	Holder 160 x 180 x 55 mm - Chrome	1.00	20
9	09 30 30 062-00	Cover Ø 24 x 8 mm - Chrome	1.00	20
1	28 002 970-00	MADISON Metal hand shower with porcelain insert (white) - Chrome	1.00	20
10	11 170 370-00	MADISON Lever insert - Chrome	1.00	20
16	04 29 05 014 00 90	Connection M18 x 1,5 -	2.00	14
32	04 30 30 029 00 90	Mounting theft-proof -	2.00	14
18	90 21 10 010 00 90	Diverter -	1.00	14
20	09 24 03 123 20 90	Nipple Ø 28 x 27 mm -	1.00	14
15	09 27 39 010-00	Rosette Ø 70 x 31 mm - Chrome	2.00	20
21	09 14 10 022 90	O-Ring EPDM 70 16,0 x 2,5 mm -	1.00	14
3	90 14 20 002 00 90	Washer 18,5 x 12,0 x 2,0 mm -	1.00	14
23	09 11 06 033 20-00	Spout 125 x 89 x 67 mm - Chrome	1.00	20
31	09 20 36 005-00	Handle Ø 28 x 7 mm - Chrome	2.00	20
22	90 31 11 030 00 90	Mounting Threaded pin with hexagon socket with cup point M5 x 5 mm -	1.00	14
13	09 30 30 064-00	Cover Ø 25,5 x 15 mm - Chrome	1.00	20
11	09 28 22 013 90	Mounting Ø 10 x 75 mm -	1.00	14
12	09 18 20 011-00	Adapter 43 x 21 x 36 mm - Chrome	1.00	20
27	09 20 36 002-00	Handle Ø 29,5 x 30 mm - Chrome	2.00	20
26	04 20 36 002 06-00	Handle Madison Cold - Chrome	1.00	20