



### Features

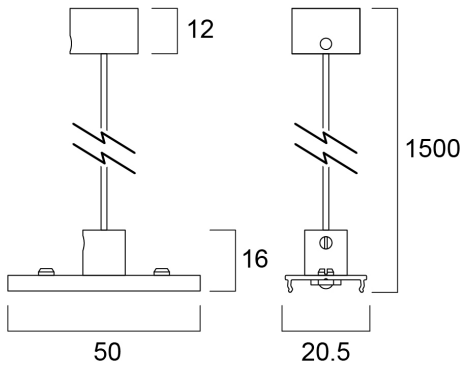
- Suspension kits enable creating pendant luminaires. They are especially recommended for the Profile Semi Deep Surface 20 but are also compatible with many profiles. As a powering sling it provides a minimalistic look - no additional wires required. Using Profile HO Surface 16 creates an aesthetic, closed from the top luminaire. Maximum sling wire load: 2kg. Teflon sheath wire 1x0.50 2500mm. Compatible profiles: Profile Semi Deep Surface 16, Profile Semi Deep Surface 20, Profile Shallow Wide Surface 30, Profile Deep Wide Surface 30.

### Product Overview

Product name	SUSPENSION KIT 1500 50V SILVER
Technology	Accessory
Housing	Aluminium
Housing colour	Silver
Product EAN number	5410288226521
Warranty	3 years

## SUSPENSION KIT 1500 50V SILVER 0022652

### Technical drawings



### Data table

#### GENERAL DATA

Product name	SUSPENSION KIT 1500 50V SILVER
Technology	Accessory
Housing	Aluminium
Warranty	3 years

#### ELECTRICAL DATA

Control gear required	No
-----------------------	----

#### PHYSICAL DATA

Housing colour	Silver
Weight (kg)	0.087

#### PACKAGING

Single packaging type	Plastic
-----------------------	---------

## SUSPENSION KIT 1500 50V SILVER 0022652

Product EAN number	5410288226521
Packaging single width (cm)	9.5
Packaging single depth (cm)	0.5
DUN14 (outer)	15410288226528
Packaging outer length / height (cm)	15.0

### SAFETY DATA

Special purpose lamp	No
Dry applications use only	No
Suitable for household illumination	No