

### Features

- Recessed spotlight Kit with RefLED GU10 LED spotlight lamp Ø50mm. Polycarbonate body, round bezel ring in white color finish, vertical tilt 30°, IP20 degree of protection, class II. Lumen output 345lm, CCT 3000K, beam angle 36°, power 4,5W, efficacy 77 lm/W, lifetime 15.000h. Outer dimensions: Ø90x103mm, cut-out Ø70-75mm. Suitable for internal environment only and for LED lamps only.

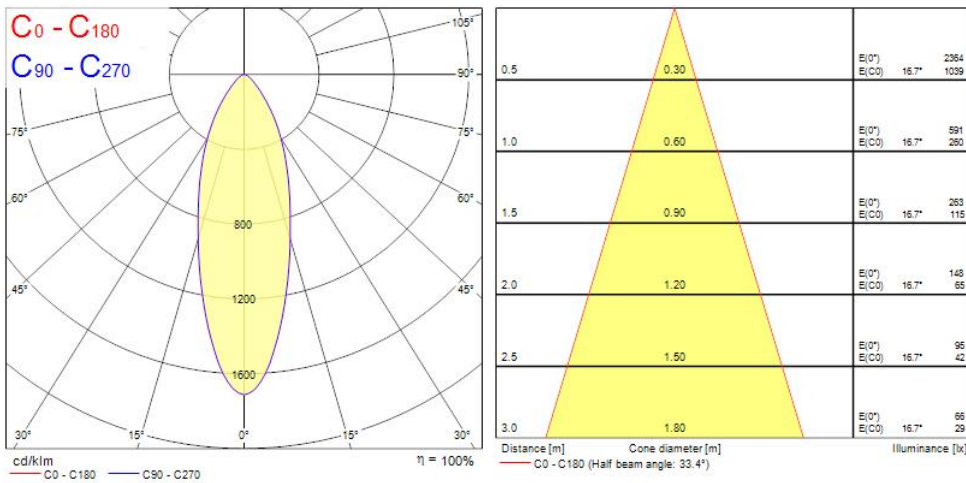
### Product Overview

<b>Product name</b>	SYLSPOT KIT ROUND 345LM 830 ADJ IP20 WHT
<b>Technology</b>	LED
<b>Cap/Base</b>	N/A
<b>Housing</b>	PC Polycarbonate
<b>Mount</b>	Ceiling recessed mounting
<b>Environment</b>	Indoor
<b>General application</b>	Residential & Consumer
<b>ETIM Class</b>	EC001744
<b>Fixture luminous flux (lm)</b>	345
<b>Luminaire efficacy (lm/W)</b>	77
<b>Correlated colour temperature (k)</b>	3000
<b>Light colour</b>	Warm White
<b>CRI (Ra)</b>	80
<b>Colour Variation Initial (SDCM)</b>	6
<b>Beam Angle (°)</b>	36
<b>Photobiological Risk Group</b>	RG1
<b>Total power consumption (W)</b>	4.5
<b>Electrical protection</b>	Class II
<b>Control gear type</b>	LED driver constant current
<b>Dimmable</b>	No

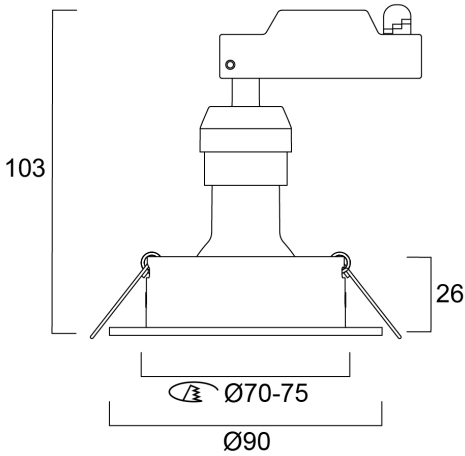
## SYLSPOT KIT ROUND 345LM 830 ADJ IP20 WHT 0005725

Housing colour	White
IP rating	IP20
IK rating	IK03
Product EAN number	5410288057255
Warranty	3 years
Dimming method	N/A
Colour Code	830

### Photometry



### Technical drawings



### Data table

#### GENERAL DATA

Product name	SYLSPOT KIT ROUND 345LM 830 ADJ IP20 WHT
Technology	LED
Cap/Base	N/A
Housing	PC Polycarbonate
Mount	Ceiling recessed mounting
Environment	Indoor
General application	Residential & Consumer
Operating temperature range (°C)	-10°C...+40°C
ETIM Class	EC001744
Warranty	3 years

#### OPTICAL DATA

Fixture luminous flux (lm)	345
Luminaire efficacy (lm/W)	77
Correlated colour temperature (k)	3000
Colour Code	830

## SYLSPOT KIT ROUND 345LM 830 ADJ IP20 WHT 0005725

Light colour	Warm White
CRI (Ra)	80
Colour Variation Initial (SDCM)	6
Beam Angle (°)	36
Distribution type	Symmetric
Photobiological Risk Group	RG1

### ELECTRICAL DATA

Total power consumption (W)	4.5
Primary Supply/Product voltage - min (V)	220
Primary Supply/Product voltage - max (V)	240
Lamp power factor	0.9
THD (at 230 V, 50 Hz, full load, at 100% dimming level) $\leq$ xx.x %	155
Electrical protection	Class II
Control gear required	No
Control gear type	LED driver constant current
Dimmable	No
Dimming method	N/A
Inrush Current (A)	10
Inrush Duration ( $\mu$ s)	150
Energy Efficiency Class (A->G) of contained light source	F
Nominal Frequency (Hz)	50/60Hz
Max. products per 10A C Breaker	100
Max. products per 13A C Breaker	130
Max. products per 16A C Breaker	160
Max. products per 20A C Breaker	200
Max. products per 16A B Breaker	160
Connectable conductor cross section - Min (mm <sup>2</sup> )	0.75
Connectable conductor cross section - Max (mm <sup>2</sup> )	1

### LIFETIME DATA

## SYLSPOT KIT ROUND 345LM 830 ADJ IP20 WHT 0005725

Lifespan L70 B50 15000

### PHYSICAL DATA

Housing colour	White
IP rating	IP20
IK rating	IK03
Diffuser finish	Other
Diffuser material	None
Reflector finish	Not Applicable
Nominal Product Height (mm)	85
Nominal Product Diameter (mm)	90
Weight (kg)	0.09

### PACKAGING

Product EAN number	5410288057255
Packaging single length / height (cm)	9.0
Packaging single width (cm)	7.5
Packaging single depth (cm)	11.5
DUN14 (inner)	15410288057252
Units per outer package	48
Packaging outer length / height (cm)	38.0
Packaging outer width (cm)	32.0
Packaging outer depth (cm)	37.5

### SAFETY DATA

Glow Wire Test (°C)	650
Optimal operating condition (°C)	-10-40
Special purpose lamp	No
Dry applications use only	No
Suitable for household illumination	No