

# Product data sheet Spirotech

## Product name

**EMCM Maxi-6 max 10,1bar**

## Product properties

The MultiControl Modular MAXI is an automatic expansion and pressure-maintaining device. The unit contains 2 pumps (2x 100%) and 1 overflow valve. A separate storage tank is required.

- 2 pumps (2x 100%)
- 1 overflow valve (1x 100%)
- At least 1 unpressurized expansion vessel needs to be added
- Operational pressure range up to 4.0 to 16.0 bar
- The maximum temperature at the point of connection: 70°C (over 70°C possible with auxiliary tank)
- Maximum safety temperature in the system: 110°C
- Maximum operating pressure (PN) up to: 25 bar

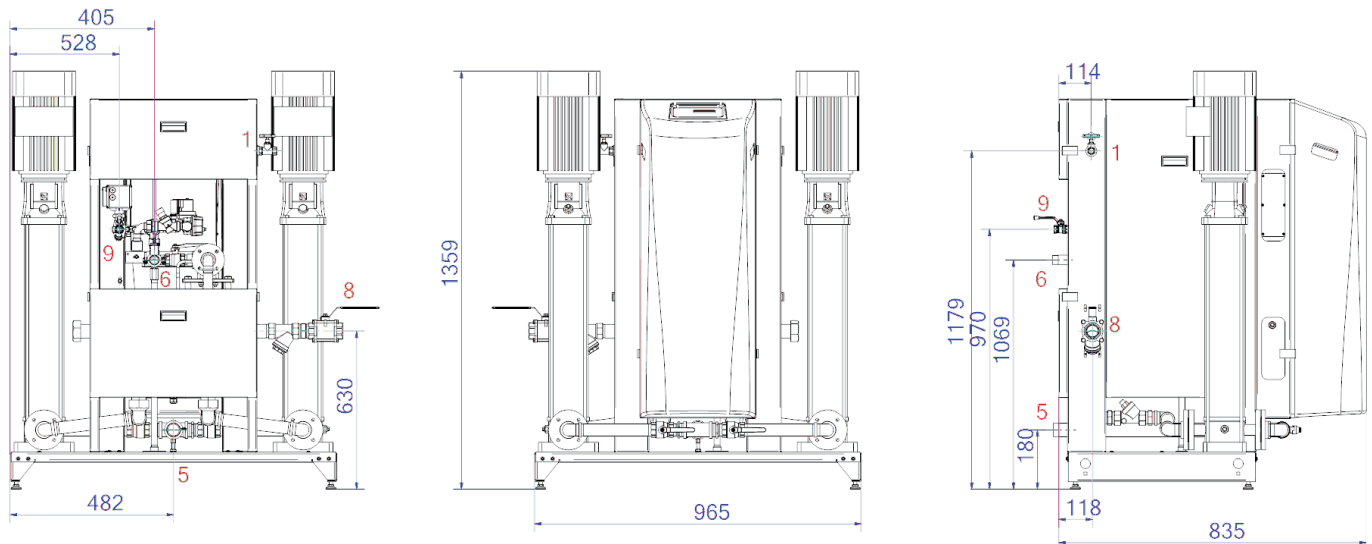
## Article number

**EMCM-M6-10.1**

## Product image



## Product dimensions



|  |              |
|--|--------------|
| 1. Refill connection                   | Rp1/2, Rp3/4 |
| 5. Suction line from expansion vessel  | R6/4         |
| 6. Overflow line to the expansion tank | R1           |

|                            |       |
|----------------------------|-------|
| 8. Expansion pressure pipe | R6/4  |
| 9. Degassing pipe          | Rp1/2 |

# Product data sheet Spirotech

## ETIM product data

|                                |                            |                                      |       |
|--------------------------------|----------------------------|--------------------------------------|-------|
| Height                         | 1359 mm                    | Double pump                          | Yes   |
| Max. operating pressure        | 10.1 bar                   | With exchangeable membrane           | No    |
| Connection                     | Other                      | Compressor in base                   | No    |
| Power consumption              | 4.6 kW                     | Max. medium temperature (continuous) | 70 °C |
| Couplable                      | Yes                        | For heating systems up to            | 1 MW  |
| Electrical connection          | Connection cable with plug | Horizontal positioning               | No    |
| Function master/slave          | No                         | Connection voltage                   | 400 V |
| With pressure expansion vessel | No                         | Article compression class            | PN 16 |
| Digital control unit           | Yes                        |                                      |       |

### Disclaimer

This product sheet has been compiled with the greatest possible care. Nevertheless, it may contain errors or omissions. For the most current and correct information we refer you to our website

