



SERus

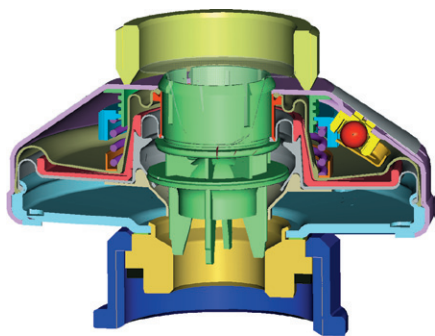
Residential Regulator

The SERus and SERus E residential regulators are based on a spring-loaded measuring unit. This type of regulator is used for direct pressure regulation at the inlet of residential and industrial gas meters.

DESCRIPTION

A completely new design based on the axial flow principle generates a high flow rate despite the regulator's small dimensions.

A 320 micro mm strainer protects the regulator on the inlet side



KEY BENEFITS

- » Compact design
- » Pre-set outlet pressure
- » Fireproof up to 650°C
- » Safety diaphragm
- » DVGW approved, DVGW Reg. No: DG-4330BL0593t

Option

- » Gas loss protection

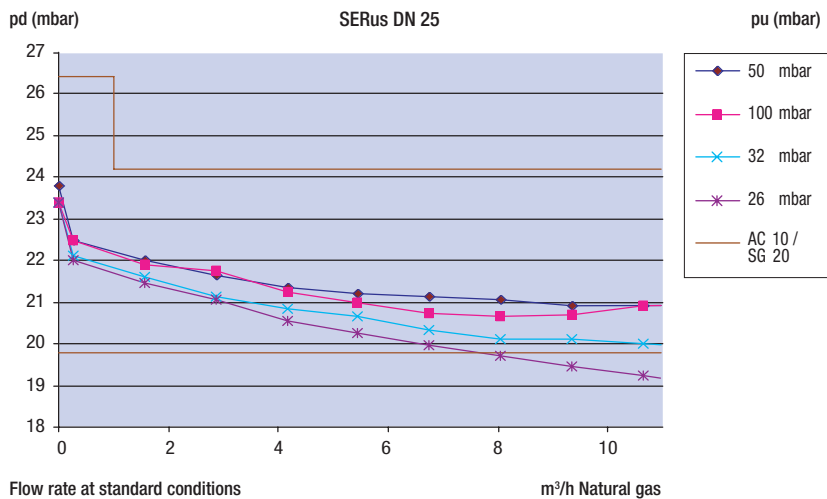
Technical Specifications

| | |
|------------------------|---|
| Pressure rate | PN 0.1 (PN 0.2) |
| Inlet pressure range | pd + 4 to 100 (200) mbar |
| Outlet pressure range | 20.0 to 33.0 mbar (pre-set) |
| Orifice diameter | 28 mm |
| Regulation group | AC 10 |
| Closing pressure group | SG 20 |
| Fluid | All gases according to DVGW Work Sheet G 260 |
| Flow rate | Suitable for G 2.5 to G 16 |
| Connection size | DN 20, DN 25, DN 32 and DN 40, Single pipe DN 25 |
| Connection type | Pipe screw joint acc. ISO 228/1 (G 1", G 1¼", G 1¾" and G 2") |

Materials

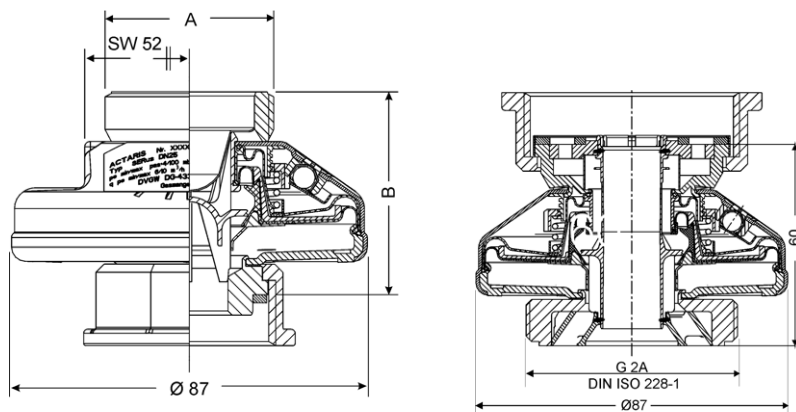
| | |
|------------------|--------------------------------------|
| Housing | Sheet metal, zinc protected |
| Connection parts | Steel, zinc protected |
| Diaphragm | NBR rubber |
| Internal parts | Steel, Brass, Aluminium, POM-plastic |
| Dimension | 70 mm x Ø 87 mm (Single pipe DN 25) |
| Weight | max. 0.5 kg |

TYPICAL PERFORMANCE CURVE



Flow rates / Dimensions / Weights

| Type | Connection Size | Gas meter | Connection Thread A | Installation Length B (mm) | Flow rate Qmax (Sm³/h Natural gas) for pd +... (mbar) | | | | Weight kg |
|---------|-----------------|-----------|---------------------|----------------------------|---|----------|----------|----------|-----------|
| | | | | | G 4 | G 6 | G 10 | G 16 | |
| SERus | DN20 | G4 | G1 | 50 | +4 mbar | - | - | - | 0.4 |
| | DN25 | G4/G6 | G1¼ | 50 | +4 | +10 mbar | - | - | 0.4 |
| | DN32 | G6/G10 | G1¼ | 50 | +4 | +10 | +20 mbar | +33 mbar | 0.5 |
| | DN40 | G10/G16 | G2 | 55 | +4 | - | +14 | +26 | 0.5 |
| SERus E | DN25 | G4/G6 | G2 | 60 | +4 | +10 | - | - | 0.5 |



Our company is the world's leading provider of smart metering, data collection and utility software systems, with over 8,000 utilities worldwide relying on our technology to optimize the delivery and use of energy and water.

To realize your smarter energy and water future, start here: www.itron.com

For more information, contact your local sales representative or agency:

ITRON GmbH

Hardeckstraße 2
D-76185 Karlsruhe
Germany

Phone: +49-721 5981 0

Fax: +49-721 5981 189