

# Concord

Solstice 200 2300lm 930 DALI WW  
2070154



## Features

- The Solstice 200 2300lm 930 DALI WW is a high efficient DALI dimmable downlight luminaire, Colour rendering index  $Ra > 90$ , Colour temperature: 3000K Warm White, Class II, Protection rating IP40/IP20, Cut out dimensions: 200mm.

## Product Overview

Product name	Solstice 200 2300lm 930 DALI WW
Technology	LED
Cap/Base	N/A
Housing	Aluminium
Mount	Ceiling recessed mounting
E-number FI	4274610
Fixture luminous flux (lm)	2300
Luminaire efficacy (lm/W)	135
LOR (%)	100
Colour temperature (K)	3000
Light colour	Warm White
CRI (Ra)	90
Colour Consistency (SDCM)	3
Colour Variation Initial (SDCM)	3
Glare control	< 24
Photobiological Risk Group	RG1
Total power consumption (W)	17
Electrical protection	Class II
Control gear type	LED driver constant current
LED Flickering Rate	Ultra low (5% or less)
Housing colour	RAL 9016 - Traffic white / Bezel

# Concord

Solstice 200 2300lm 930 DALI WW  
2070154

IP rating

IP40/20

IK rating

IK02

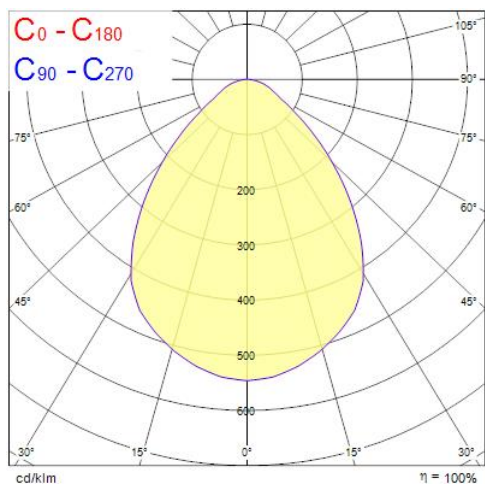
Product EAN number

5025768701544

Warranty

5 years

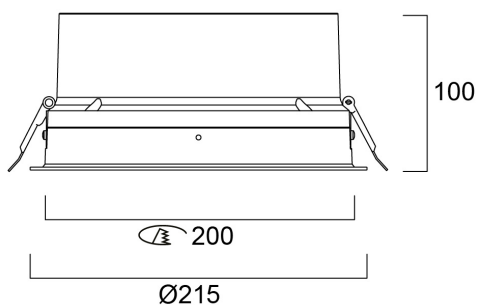
## Photometry



0.5	0.88	E(0°) E(C0)	41.5°	5023 1066
1.0	1.77	E(0°) E(C0)	41.5°	1256 264
1.5	2.65	E(0°) E(C0)	41.5°	558 117
2.0	3.54	E(0°) E(C0)	41.5°	314 65
2.5	4.42	E(0°) E(C0)	41.5°	201 42
3.0	5.31	E(0°) E(C0)	41.5°	140 29

Distance [m]      Cone diameter [m]      Illuminance [lx]  
 C0 - C180 (Half beam angle: 83.0°)

## Technical drawings



# Concord

Solstice 200 2300lm 930 DALI WW  
2070154

## Data table

### GENERAL DATA

Product name	Solstice 200 2300lm 930 DALI WW
Technology	LED
Cap/Base	N/A
Housing	Aluminium
Mount	Ceiling recessed mounting
Operating temperature range (°C)	-10°C...+40°C
Performance ambient temperature Tq (°C)	40
E-number FI	4274610
Warranty	5 years

### OPTICAL DATA

Fixture luminous flux (lm)	2300
Luminaire efficacy (lm/W)	135
LOR (%)	100
Colour temperature (K)	3000
Light colour	Warm White
CRI (Ra)	90
Colour Consistency (SDCM)	3
Colour Variation Initial (SDCM)	3
Glare control	< 24
Photobiological Risk Group	RG1

### ELECTRICAL DATA

Total power consumption (W)	17
Primary Supply/Product voltage - min (V)	220
Lamp power factor	0.96
Electrical protection	Class II
Control gear required	No
Control gear type	LED driver constant current

# Concord

## Solstice 200 2300lm 930 DALI WW 2070154

Drive current (mA)	450
Inrush Current (A)	25
Inrush Duration (µs)	141
Glow Wire Test (°C)	850
Energy Efficiency Class (A->G) of contained light source	C
Nominal Frequency (Hz)	50/60Hz
LED Flickering Rate	Ultra low (5% or less)
Max. products per 10A C Breaker	31
Max. products per 20A B Breaker	40
Connectable conductor cross section - Min (mm <sup>2</sup> )	0.5
Connectable conductor cross section - Max (mm <sup>2</sup> )	2.5

### LIFETIME DATA

Lifespan L70 B50	120000
Lifespan L80 B20	120000
Lifespan L80 B10	120000
Lifespan L90 B10	68000

### PHYSICAL DATA

Housing colour	RAL 9016 - Traffic white / Bezel
IP rating	IP40/20
IK rating	IK02
Diffuser finish	Diffuse
Diffuser material	PC Polycarbonate
Nominal Product Diameter (mm)	215
Max. Lamp Diameter (mm) - D	215
Weight (kg)	1.3
Recessed Depth (mm)	150

### PACKAGING

Single packaging type	Carton
-----------------------	--------

# Concord

Solstice 200 2300lm 930 DALI WW  
**2070154**

Product EAN number	5025768701544
Packaging single width (cm)	30.0
Packaging single depth (cm)	12.5
DUN14 (outer)	05025768701544
Packaging outer length / height (cm)	30.0

## SAFETY DATA

Optimal operating condition (°C)	-10-40
Special purpose lamp	No
Dry applications use only	No
Suitable for household illumination	No