

**LULU Single-lever bath mixer with stand pipe for free-standing assembly with hand shower set - Brushed Platinum**

LULU



25 863 710



- spout: circular, air-enriched flow
- max. flow 26.4 l/min at 3 bar flow pressure
- Hand shower: COMPACT RAIN, max. flow rate 6.8 l/min (at 3 bar)
- bar-type hand shower with anti-scale system
- wall bracket
- automatic bath/shower diverter
- 215mm projection
- total height 932 - 1002 mm
- stand pipe height 598 - 668 mm
- height up to aerator 825 – 895 mm
- push-on rosette 131 x 131 mm
- metal shower hose 1250mm with integrated anti-twist protection
- WRAS

**Intrinsic protection against back flow.**

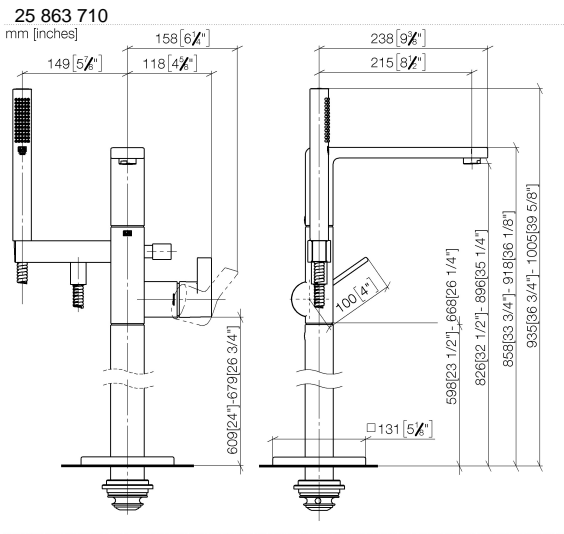
Intrinsic protection against back flow.

	Brushed Platinum	25 863 710-06
	Chrome	25 863 710-00

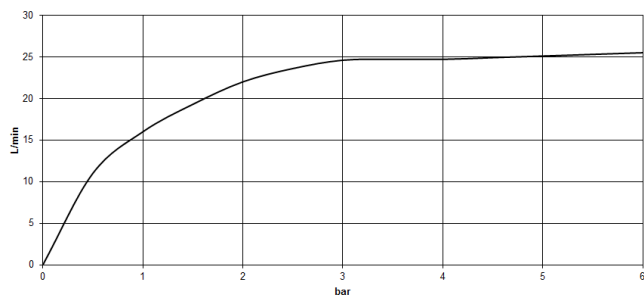
**Required miscellaneous**



- Concealed floor mounting -** 35 945 970 90
- min. recess depth 80 mm
  - max. recess depth 150 mm



Flow rate chart



Codes & Standards

ASME A112.18.1	cUPC	DIN 4109	EN 1717
ISO 3822	Scottish Water Byelaws	UK Water Supply Regulations	Ü-Zeichen



LULU Single-lever bath mixer with stand pipe for free-standing assembly with hand shower set - Brushed Platinum

---

LULU

25 863 710

Certificates and sustainability

---

Belgaqua\_19\_77

IAPMO\_4976

Belgaqua\_24-003-2 LGA\_29

WRAS\_250502

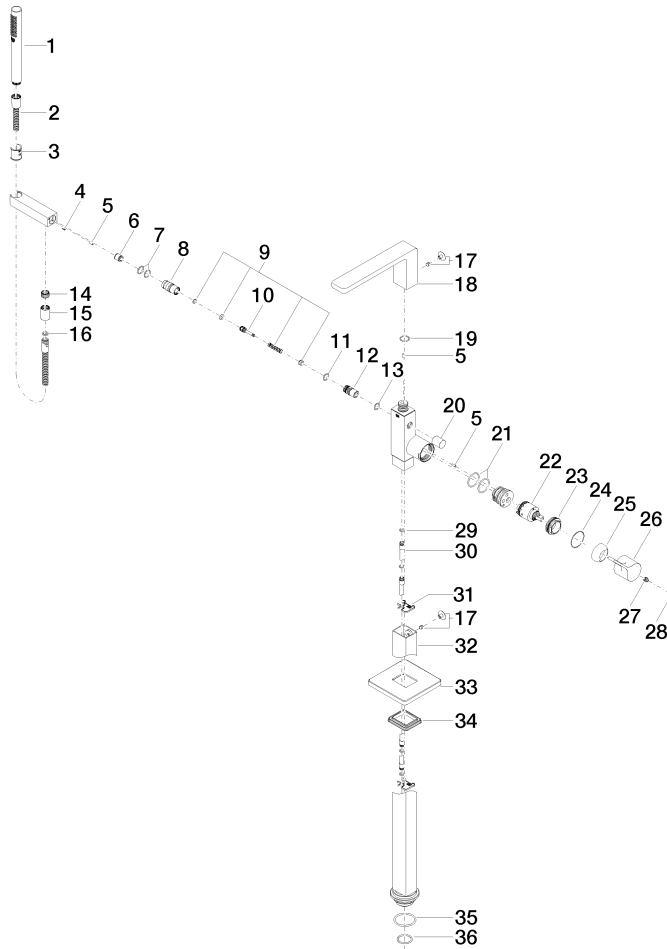
EPD-DOR-20230287

-IBA1-EN

Environmental.prod

uct-declarat

25 863 710



# LULU Single-lever bath mixer with stand pipe for free-standing assembly with hand shower set - Brushed Platinum

LULU

25 863 710

## Spare parts list

No.	Item Number	Name	Quantity used	Delivery time
34	09 14 03 107 90	Washer 67 x 10 x 59 mm -	1.00	14
6	90 23 01 141 00 90	Back-flow preventer -	1.00	14
13	90 14 10 033 00 90	O-Ring EPDM 70 14,5 x 2,0 mm -	1.00	14
8	09 24 03 130-00	Nipple Ø 22 x 43 mm - Chrome	1.00	20
29	09 14 10 139 90	O-Ring EPDM 70 9,0 x 2,0 mm -	2.00	14
2	90 30 02 072 00-06	Metal shower hose 1/2" x 3/8" x 1250 mm - Brushed Stainless Steel / Platinum Matt	1.00	20
12	09 21 34 080-06	Diverter Ø 19,40 x 37 mm - Brushed Platinum	1.00	20
14	09 24 03 069 90	Nipple Ø 20 x 11,5 mm -	1.00	14
35	09 14 10 084 90	O-Ring EPDM 70 48 x 3,5 mm -	1.00	14
9	90 16 02 023 00 90	Diverter Repair kit, bath deck mounting 15 x 50 x 15 mm -	1.00	14
5	09 31 11 040 90	Straight pin Ø 6 x 12 mm -	3.00	14
7	90 14 10 010 00 90	O-Ring EPDM 70 17,0 x 2,0 mm -	2.00	14
19	09 14 10 031 90	O-Ring 20,0 x 2,0 mm -	1.00	14
3	09 18 40 118 90	Sleeve Ø 27,5 x 30 mm -	1.00	14
27	90 31 11 030 00 90	Mounting Threaded pin with hexagon socket with cup point M5 x 5 mm -	1.00	14
16	90 14 20 026 00 90	Washer 14 x 8 x 2 mm Centellen WS 3820 -	1.00	14
31	09 20 93 051 90	Mounting 43 x 35 x 3,5 mm -	2.00	14
4	09 31 11 058 90	Mounting Threaded pin with hexagon socket with cup point M5 x 8 mm -	1.00	14
11	90 14 10 055 00 90	O-Ring EPDM 70 15,0 x 2,0 mm -	1.00	14
33	09 27 71 011-06	Rosette 131 x 12,5 x 131 mm - Brushed Platinum	1.00	20
32	04 28 22 024 00-06	Pipe 688 mm - Brushed Platinum	1.00	20
15	90 21 02 069 00-06	Cover/sleeve M20 x 1 - Brushed Platinum	1.00	20
22	90 15 05 039 00 90	Cartridge blue Ø 40 x 75 mm -	1.00	14
20	09 20 71 031-06	Pull button for pop-up waste - Brushed Platinum	1.00	20
30	04 28 22 025 00 90	Supply pipe Ø 12 x 70 mm -	2.00	14
24	09 14 10 037 90	O-Ring 42,0 x 1,5 . mm -	1.00	14
17	04 31 20 034 00 90	Plug Cover with threaded pin -	2.00	14
28	90 31 20 087 00-06	Plug with O-ring Ø 7 x 2,1 mm - Brushed Platinum	1.00	20
25	09 28 30 036-06	Cover Ø 46 x 18 mm - Brushed Platinum	1.00	20
21	09 14 10 148 90	O-Ring 32 x 2,5 mm -	2.00	14
23	09 24 04 298 90	Mounting Ø 42 x 17 mm -	1.00	14
10	09 31 09 094 20-06	Pull rod for diverter Ø 12 x 46 mm - Brushed Platinum	1.00	20
36	09 14 10 018 90	O-Ring EPDM 70 32,0 x 3,0 mm -	1.00	14
18	90 11 71 043 00-06	Spout 290 x 205 x 90 mm - Brushed Platinum	1.00	20
1	90 12 11 140 41-06	Bar-type hand shower 6,8 l/min - Brushed Platinum	1.00	-
Spare part can no longer be ordered, please order the replacement item				
26	90 20 80 073 00-06	handle	1.00	-
Spare part can no longer be ordered, please order the replacement item				