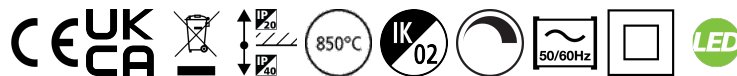


# Concord

Solstice 200 1500lm 930 DALI BB  
2070152



## Features

- The Solstice 200 1500lm 930 DALI BB is a high efficient DALI dimmable downlight luminaire, Colour rendering index Ra>90, Colour temperature: 3000K Warm White, Class II, Protection rating IP40/IP20, Cut out dimensions: 200mm.

## Product Overview

Product name	Solstice 200 1500lm 930 DALI BB
Technology	LED
Cap/Base	N/A
Housing	Aluminium
Mount	Ceiling recessed mounting
E-number FI	4262098
Fixture luminous flux (lm)	1500
Luminaire efficacy (lm/W)	88
LOR (%)	100
Colour temperature (K)	3000
Light colour	Warm White
CRI (Ra)	90
Colour Consistency (SDCM)	3
Colour Variation Initial (SDCM)	3
Glare control	< 19
Photobiological Risk Group	RG1
Total power consumption (W)	17
Electrical protection	Class II
Control gear type	LED driver constant current
LED Flickering Rate	Ultra low (5% or less)
Housing colour	RAL 9005 - Jet black

# Concord

Solstice 200 1500lm 930 DALI BB  
2070152

IP rating

IP40/20

IK rating

IK02

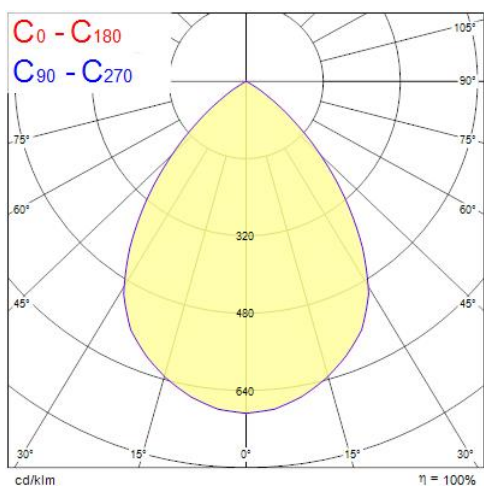
Product EAN number

5025768701520

Warranty

5 years

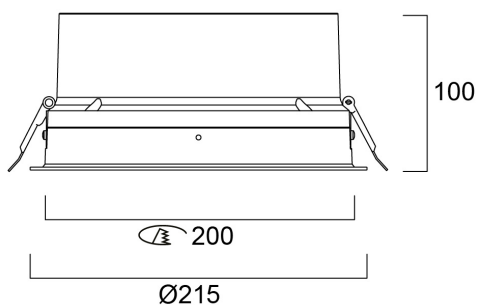
## Photometry



Distance [m]	Cone diameter [m]	E(0°) E(C0)	E(0°) E(C90)
0.5	0.81	4124	973
1.0	1.61	1031	243
1.5	2.42	458	108
2.0	3.23	255	61
2.5	4.03	165	39
3.0	4.84	115	27

Distance [m] Cone diameter [m] Illuminance [lx]  
C0 - C180 (Half beam angle: 77.8°)

## Technical drawings



# Concord

Solstice 200 1500lm 930 DALI BB  
2070152

## Data table

### GENERAL DATA

Product name	Solstice 200 1500lm 930 DALI BB
Technology	LED
Cap/Base	N/A
Housing	Aluminium
Mount	Ceiling recessed mounting
Operating temperature range (°C)	-10°C...+40°C
Performance ambient temperature Tq (°C)	40
E-number FI	4262098
Warranty	5 years

### OPTICAL DATA

Fixture luminous flux (lm)	1500
Luminaire efficacy (lm/W)	88
LOR (%)	100
Colour temperature (K)	3000
Light colour	Warm White
CRI (Ra)	90
Colour Consistency (SDCM)	3
Colour Variation Initial (SDCM)	3
Glare control	< 19
Photobiological Risk Group	RG1

### ELECTRICAL DATA

Total power consumption (W)	17
Primary Supply/Product voltage - min (V)	220
Lamp power factor	0.96
Electrical protection	Class II
Control gear required	No
Control gear type	LED driver constant current

# Concord

## Solstice 200 1500lm 930 DALI BB 2070152

Drive current (mA)	450
Inrush Current (A)	25
Inrush Duration (µs)	141
Glow Wire Test (°C)	850
Energy Efficiency Class (A->G) of contained light source	C
Nominal Frequency (Hz)	50/60Hz
LED Flickering Rate	Ultra low (5% or less)
Max. products per 10A C Breaker	31
Max. products per 20A B Breaker	40
Connectable conductor cross section - Min (mm <sup>2</sup> )	0.5
Connectable conductor cross section - Max (mm <sup>2</sup> )	2.5

### LIFETIME DATA

Lifespan L70 B50	120000
Lifespan L80 B20	120000
Lifespan L80 B10	120000
Lifespan L90 B10	68000

### PHYSICAL DATA

Housing colour	RAL 9005 - Jet black
IP rating	IP40/20
IK rating	IK02
Diffuser finish	Diffuse
Diffuser material	PC Polycarbonate
Nominal Product Diameter (mm)	215
Max. Lamp Diameter (mm) - D	215
Weight (kg)	1.3
Recessed Depth (mm)	150

### PACKAGING

Single packaging type	Carton
-----------------------	--------

# Concord

Solstice 200 1500lm 930 DALI BB  
**2070152**

Product EAN number	5025768701520
Packaging single width (cm)	30.0
Packaging single depth (cm)	12.5
DUN14 (outer)	05025768701520
Packaging outer length / height (cm)	30.0

## SAFETY DATA

Optimal operating condition (°C)	-10-40
Special purpose lamp	No
Dry applications use only	No
Suitable for household illumination	No