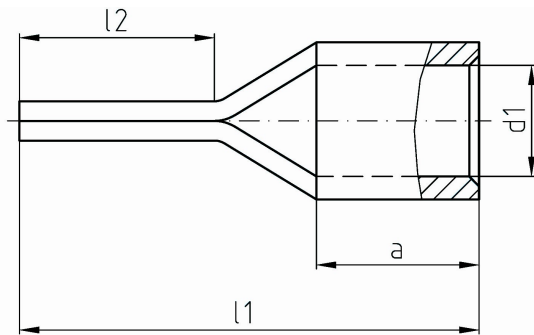


intercable

Datasheet Plaatkabelschoen Stift 35mm²



| | |
|------------------------|----------------------------------|
| Artikelnummer | ICQ35ST* |
| Doorsnede Kabel | 35 mm ² |
| Materiaal | CU-HCP 99,95% vlgns DIN EN 13600 |
| Afwerking | Galvanisch vertind |
| | |

Maten:

| | |
|----------------|-------------|
| D1 | 8.4mm |
| L1 | 41mm |
| L2 | 20mm |
| A | 16mm |
| Ø Stift | 3,2 x 8,1mm |
| Gewicht | 1.19 kg/100 |
| | |