

Features

- IP65 from the front LED downlight, fire rated for 30, 60 and 90 minutes. 8W up to 620 lumen output.



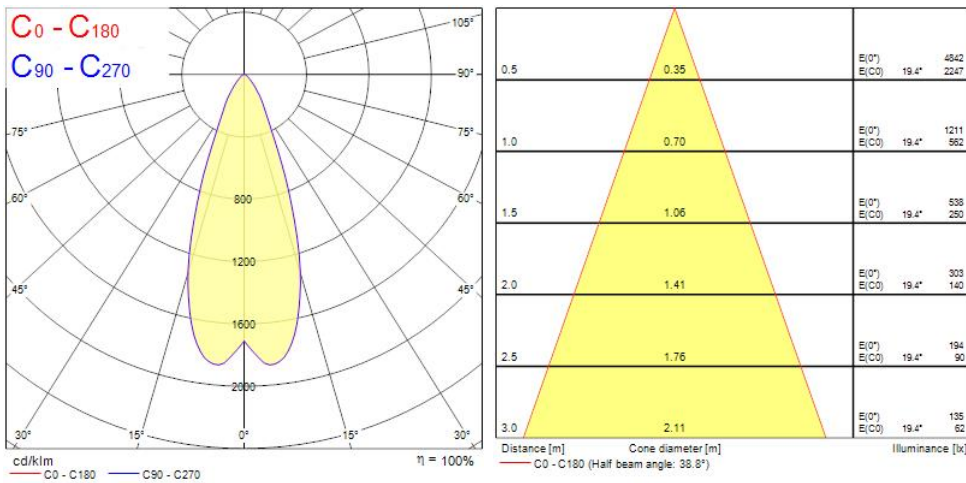
Product Overview

Product name	SYLFIRE LED FIXED 840 DIM WHITE DC
Technology	LED
Housing	Aluminium
Mount	Ceiling recessed mounting
Environment	Indoor
General application	Residential & Consumer
ETIM Class	EC001744
Fixture luminous flux (lm)	700
Luminaire efficacy (lm/W)	88
Correlated colour temperature (k)	4000
Light colour	Neutral White
CRI (Ra)	80
Colour Variation Initial (SDCM)	6
Beam Angle (°)	40
Photobiological Risk Group	RG1
Total power consumption (W)	8
Electrical protection	Class II
Dimmable	Yes
Minimum dimming level (%)	10

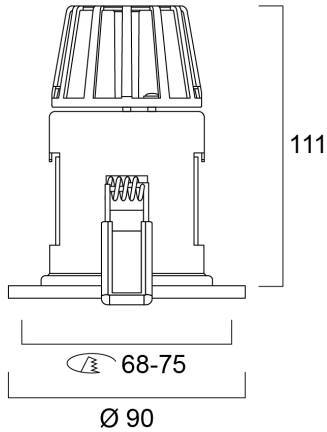
SYLFIRE LED FIXED 840 DIM WHITE DC 0059822

Housing colour	White
IP rating	IP65/20
IK rating	IK06
Product EAN number	5410288598222
Warranty	5 years
Dimming method	Mains: leading / trailing edge
Colour Code	840

Photometry



Technical drawings



Data table

GENERAL DATA

Product name	SYLFIRE LED FIXED 840 DIM WHITE DC
Technology	LED
Housing	Aluminium
Mount	Ceiling recessed mounting
Environment	Indoor
General application	Residential & Consumer
Operating temperature range (°C)	-10°C...+45°C
Performance ambient temperature Tq (°C)	25
ETIM Class	EC001744
Warranty	5 years

OPTICAL DATA

Fixture luminous flux (lm)	700
Luminaire efficacy (lm/W)	88
Correlated colour temperature (k)	4000

SYLFIRE LED FIXED 840 DIM WHITE DC 0059822

Colour Code	840
Light colour	Neutral White
CRI (Ra)	80
Colour Variation Initial (SDCM)	6
Beam Angle (°)	40
Photobiological Risk Group	RG1
Lumen maintenance at end of nominal life (%)	70

ELECTRICAL DATA

Total power consumption (W)	8
Lamp power factor	0.85
Electrical protection	Class II
Control gear required	No
Dimmable	Yes
Dimming method	Mains: leading / trailing edge
Minimum dimming level (%)	10
Drive current (mA)	150
Inrush Current (A)	10
Inrush Duration (µs)	150
Nominal Frequency (Hz)	50/60Hz
Max. products per 10A C Breaker	60
Max. products per 13A C Breaker	80
Max. products per 16A C Breaker	100
Max. products per 20A C Breaker	120

LIFETIME DATA

Lifespan L70 B50	50000
------------------	-------

PHYSICAL DATA

Housing colour	White
IP rating	IP65/20
IK rating	IK06
Diffuser finish	Opal

SYLFIRE LED FIXED 840 DIM WHITE DC 0059822

Diffuser material	PC Polycarbonate
Nominal Product Height (mm)	111
Nominal Product Diameter (mm)	90
Weight (kg)	0.441

PACKAGING

Product EAN number	5410288598222
Packaging single length / height (cm)	13.5
Packaging single width (cm)	13.0
Packaging single depth (cm)	13.5
DUN14 (inner)	05410288598222
Units per outer package	20
Packaging outer length / height (cm)	68.1
Packaging outer width (cm)	29.6
Packaging outer depth (cm)	29.6

SAFETY DATA

Glow Wire Test (°C)	650
Optimal operating condition (°C)	-10-45
Special purpose lamp	No
Dry applications use only	No
Suitable for household illumination	No