

### Features

- IP65 from the front LED downlight, fire rated for 30, 60 and 90 minutes. 8W up to 620 lumen output.



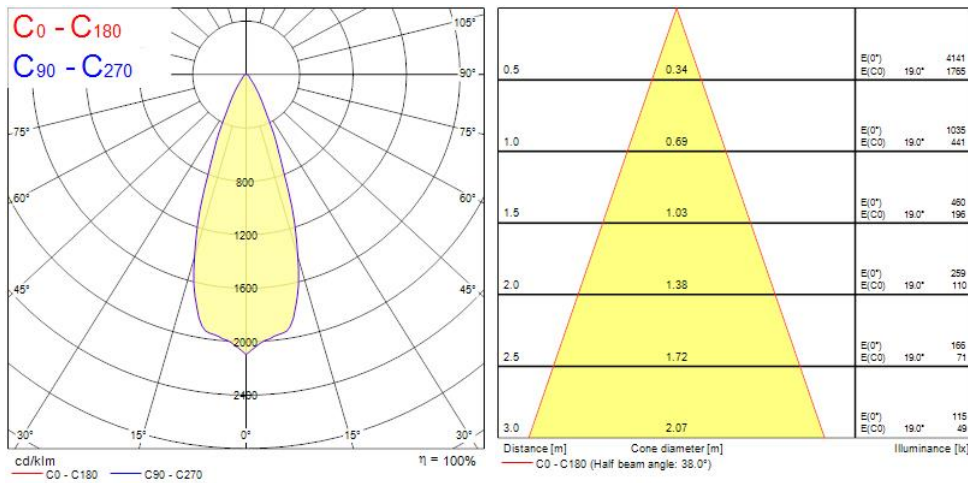
### Product Overview

Product name	SYLFIRE LED FIXED 830 DIM WHITE DC
Technology	LED
Housing	Aluminium
Mount	Ceiling recessed mounting
Environment	Indoor
General application	Residential & Consumer
ETIM Class	EC001744
Fixture luminous flux (lm)	670
Luminaire efficacy (lm/W)	84
Correlated colour temperature (k)	3000
Light colour	Warm White
CRI (Ra)	80
Colour Variation Initial (SDCM)	6
Beam Angle (°)	40
Photobiological Risk Group	RG1
Total power consumption (W)	8
Electrical protection	Class II
Dimmable	Yes
Minimum dimming level (%)	10

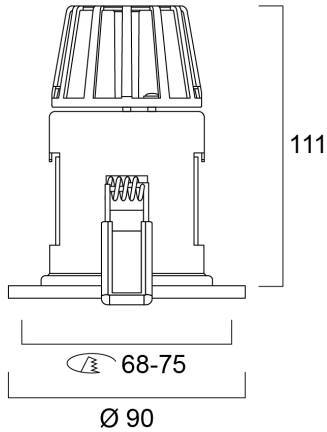
## SYLFIRE LED FIXED 830 DIM WHITE DC 0059821

Housing colour	White
IP rating	IP65/20
IK rating	IK06
Product EAN number	5410288598215
Warranty	5 years
Dimming method	Mains: leading / trailing edge
Colour Code	830

### Photometry



### Technical drawings



### Data table

#### GENERAL DATA

Product name	SYLFIRE LED FIXED 830 DIM WHITE DC
Technology	LED
Housing	Aluminium
Mount	Ceiling recessed mounting
Environment	Indoor
General application	Residential & Consumer
Operating temperature range (°C)	-10°C...+45°C
Performance ambient temperature Tq (°C)	25
ETIM Class	EC001744
Warranty	5 years

#### OPTICAL DATA

Fixture luminous flux (lm)	670
Luminaire efficacy (lm/W)	84
Correlated colour temperature (k)	3000

## SYLFIRE LED FIXED 830 DIM WHITE DC 0059821

Colour Code	830
Light colour	Warm White
CRI (Ra)	80
Colour Variation Initial (SDCM)	6
Beam Angle (°)	40
Photobiological Risk Group	RG1
Lumen maintenance at end of nominal life (%)	70

### ELECTRICAL DATA

Total power consumption (W)	8
Primary Supply/Product voltage - min (V)	42
Primary Supply/Product voltage - max (V)	42
Lamp power factor	0.85
Electrical protection	Class II
Control gear required	No
Dimmable	Yes
Dimming method	Mains: leading / trailing edge
Minimum dimming level (%)	10
Drive current (mA)	150
Inrush Current (A)	10
Inrush Duration (µs)	150
Nominal Frequency (Hz)	50/60Hz
Max. products per 10A C Breaker	60
Max. products per 13A C Breaker	80
Max. products per 16A C Breaker	100
Max. products per 20A C Breaker	120

### LIFETIME DATA

Lifespan L70 B50	50000
------------------	-------

### PHYSICAL DATA

Housing colour	White
IP rating	IP65/20

## SYLFIRE LED FIXED 830 DIM WHITE DC 0059821

<b>IK rating</b>	IK06
<b>Diffuser finish</b>	Opal
<b>Diffuser material</b>	PC Polycarbonate
<b>Nominal Product Height (mm)</b>	111
<b>Nominal Product Diameter (mm)</b>	90
<b>Weight (kg)</b>	0.433

### PACKAGING

<b>Product EAN number</b>	5410288598215
<b>Packaging single length / height (cm)</b>	13.13
<b>Packaging single width (cm)</b>	13.03
<b>Packaging single depth (cm)</b>	12.93
<b>DUN14 (inner)</b>	05410288598215
<b>Units per outer package</b>	20
<b>Packaging outer length / height (cm)</b>	68.2
<b>Packaging outer width (cm)</b>	28.4
<b>Packaging outer depth (cm)</b>	29.9

### SAFETY DATA

<b>Glow Wire Test (°C)</b>	650
<b>Optimal operating condition (°C)</b>	-10-45
<b>Special purpose lamp</b>	No
<b>Dry applications use only</b>	No
<b>Suitable for household illumination</b>	No