

Concord

Solstice 200 2400lm 940 DALI
2070149



Features

- The Solstice 200 2400lm 940 DALI is a high efficient DALI dimmable downlight luminaire, Colour rendering index Ra>90, Colour temperature: 4000K Neutral White, Class II, Protection rating IP40/IP20, Cut out dimensions: 200mm.

Product Overview

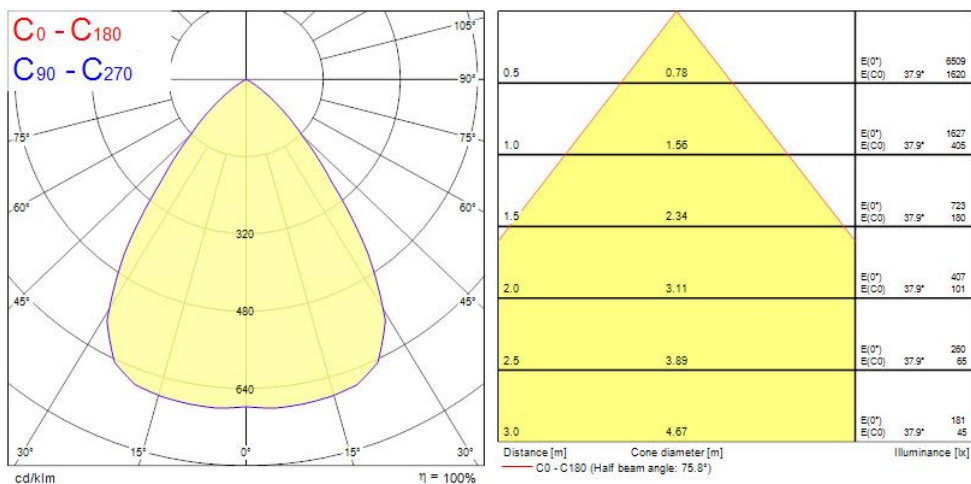
| | |
|---------------------------------|----------------------------------|
| Product name | Solstice 200 2400lm 940 DALI |
| Technology | LED |
| Cap/Base | N/A |
| Housing | Aluminium |
| Mount | Ceiling recessed mounting |
| E-number FI | 4262078 |
| Fixture luminous flux (lm) | 2400 |
| Luminaire efficacy (lm/W) | 141 |
| LOR (%) | 100 |
| Colour temperature (K) | 4000 |
| Light colour | Neutral White |
| CRI (Ra) | 90 |
| Colour Consistency (SDCM) | 3 |
| Colour Variation Initial (SDCM) | 3 |
| Glare control | < 19 |
| Photobiological Risk Group | RG1 |
| Total power consumption (W) | 17 |
| Electrical protection | Class II |
| Control gear type | LED driver constant current |
| LED Flickering Rate | Ultra low (5% or less) |
| Housing colour | RAL 9016 - Traffic white / Bezel |

Concord

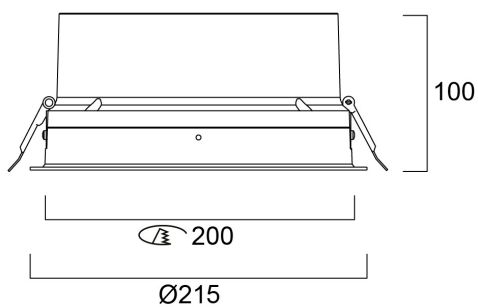
Solstice 200 2400lm 940 DALI
2070149

| | |
|--------------------|---------------|
| IP rating | IP40/20 |
| IK rating | IK02 |
| Product EAN number | 5025768701490 |
| Warranty | 5 years |

Photometry



Technical drawings



Concord

Solstice 200 2400lm 940 DALI
2070149

Data table

GENERAL DATA

| | |
|---|------------------------------|
| Product name | Solstice 200 2400lm 940 DALI |
| Technology | LED |
| Cap/Base | N/A |
| Housing | Aluminium |
| Mount | Ceiling recessed mounting |
| Operating temperature range (°C) | -10°C...+40°C |
| Performance ambient temperature Tq (°C) | 40 |
| E-number FI | 4262078 |
| Warranty | 5 years |

OPTICAL DATA

| | |
|---------------------------------|---------------|
| Fixture luminous flux (lm) | 2400 |
| Luminaire efficacy (lm/W) | 141 |
| LOR (%) | 100 |
| Colour temperature (K) | 4000 |
| Light colour | Neutral White |
| CRI (Ra) | 90 |
| Colour Consistency (SDCM) | 3 |
| Colour Variation Initial (SDCM) | 3 |
| Glare control | < 19 |
| Photobiological Risk Group | RG1 |

ELECTRICAL DATA

| | |
|--|-----------------------------|
| Total power consumption (W) | 17 |
| Primary Supply/Product voltage - min (V) | 220 |
| Lamp power factor | 0.96 |
| Electrical protection | Class II |
| Control gear required | No |
| Control gear type | LED driver constant current |

Concord

Solstice 200 2400lm 940 DALI 2070149

| | |
|--|------------------------|
| Drive current (mA) | 450 |
| Inrush Current (A) | 25 |
| Inrush Duration (µs) | 141 |
| Glow Wire Test (°C) | 850 |
| Energy Efficiency Class (A->G) of contained light source | C |
| Nominal Frequency (Hz) | 50/60Hz |
| LED Flickering Rate | Ultra low (5% or less) |
| Max. products per 10A C Breaker | 31 |
| Max. products per 20A B Breaker | 40 |
| Connectable conductor cross section - Min (mm ²) | 0.5 |
| Connectable conductor cross section - Max (mm ²) | 2.5 |

LIFETIME DATA

| | |
|------------------|--------|
| Lifespan L70 B50 | 120000 |
| Lifespan L80 B20 | 120000 |
| Lifespan L80 B10 | 120000 |
| Lifespan L90 B10 | 68000 |

PHYSICAL DATA

| | |
|-------------------------------|----------------------------------|
| Housing colour | RAL 9016 - Traffic white / Bezel |
| IP rating | IP40/20 |
| IK rating | IK02 |
| Diffuser finish | Diffuse |
| Diffuser material | PC Polycarbonate |
| Nominal Product Diameter (mm) | 215 |
| Max. Lamp Diameter (mm) - D | 215 |
| Weight (kg) | 1.3 |
| Recessed Depth (mm) | 150 |

PACKAGING

| | |
|-----------------------|--------|
| Single packaging type | Carton |
|-----------------------|--------|

Concord

Solstice 200 2400lm 940 DALI
2070149

| | |
|--------------------------------------|----------------|
| Product EAN number | 5025768701490 |
| Packaging single width (cm) | 30.0 |
| Packaging single depth (cm) | 12.5 |
| DUN14 (outer) | 05025768701490 |
| Packaging outer length / height (cm) | 30.0 |

SAFETY DATA

| | |
|-------------------------------------|--------|
| Optimal operating condition (°C) | -10-40 |
| Special purpose lamp | No |
| Dry applications use only | No |
| Suitable for household illumination | No |