

## Technische Daten/ Technical Data

KLUDI-ASANA  
head shower 1 S  
DN 15

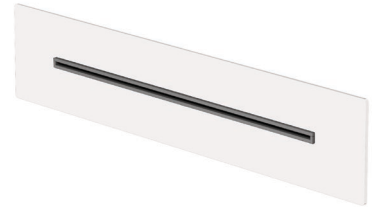
Ref.: 6950053-00

Finishes:  
53 matt white

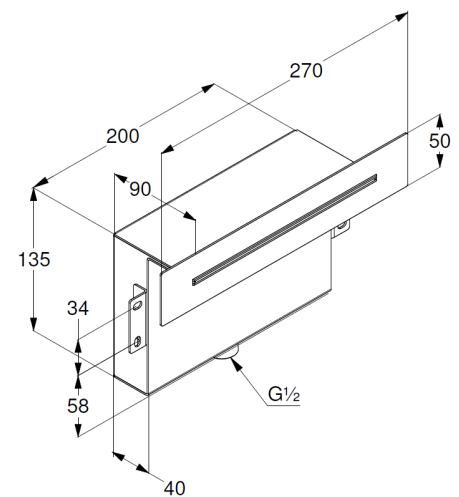
Product description  
Manufacturer KLUDI GmbH & Co. KG  
Typ: KLUDI-ASANA  
head shower 1 S  
Ref.: 6950053-00

only for in-wall-installation  
waterfall  
flow rate at 3 bar > 45 l/min.  
fixed spout  
connection G1/2

### Produktabbildung/ Product picture



### Maßzeichnung/ Dimensional drawing



### Durchfluss/ Flow rate

