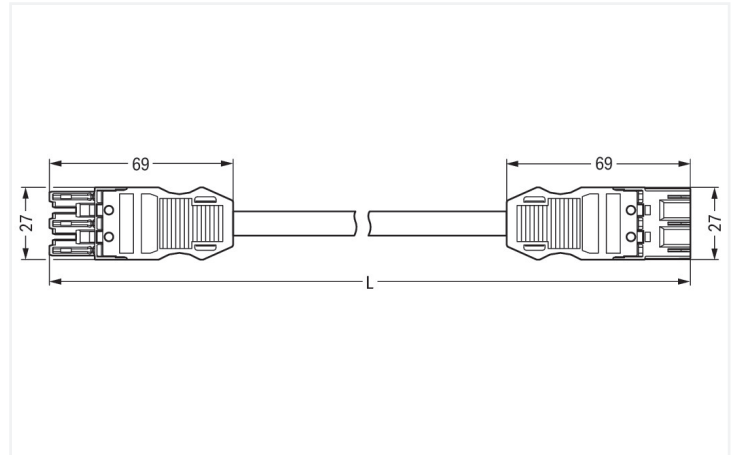
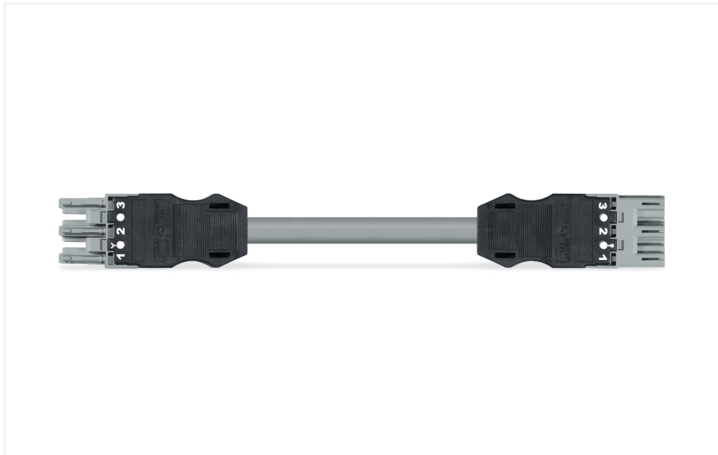


## Data Sheet | Item Number: 771-9293/016-503

pre-assembled interconnecting cable; B2ca; Socket/plug; 3-pole; Cod. B; (H)  
05Z1Z1-F 3x1,5 mm<sup>2</sup>; 5 m; 1,50 mm<sup>2</sup>

<https://www.wago.com/771-9293/016-503>



Dimensions in mm

### Cable assembly WINSTA® MIDI with protection against mismating

Use effective pluggable connections instead of laborious screw connections: With the WINSTA® MIDI cable assembly B coding. Our pluggable installation connectors with spring pressure connection technology work without screw connections. They allow resource-efficient, error-free installation in a large number of possible uses. The color coding and mechanical coding of the pluggable installation connector ensure error-free installation of the individual components – including protection against mismating. The pluggable installation connector is protected in accordance with protection type IP20 (When mated: IP2xC (These compact connectors are not designed for use in open, easily accessible areas!)). That results in the fact that users' fingers will never come into contact with energised elements. Pluggable installation connectors with B coding from the WINSTA® MIDI line are available in pink, light green, or gray, allowing you to distinguish different circuits, for example for pumps, lighting, or sun blinds. Your own pole marking is possible, too. Our WINSTA® MIDI product line allows maximum flexibility for the installation. Through its Push-in CAGE CLAMP® spring pressure connection technology, it ensures error-free, time-saving installation and offers flexibility and customization for meeting an enormous variety of installation requirements. Anyone who needs to worry about technical safety requirements related to fire protection for electrical installation should use only top quality components. Our product meets the important safety standards of fire class B2. Eliminating halogens as an additive in the production of this cable assembly significantly increases fire safety and reduces environmental pollution.

### Fast, secure pluggable connections – cable assemblies from WAGO

The cable is pre-assembled with a socket and a plug. WINSTA® is the pluggable connection system that is optimally tailored to the strict requirements of electrical installation. It allows fast, secure and, above all, error-free installation of components and cables. Now you can also reduce installation costs without compromising safety and quality: with strain relief hosting reduces the need for servicing and prevents unnecessary downtime.

- protection against mismating eliminates errors
- pre-assembled versions
- with B coding for use in automation of processes, such as lighting technology, for example
- ready to install and use immediately
- quick replacement of defective units during ongoing operation

## Notes

|           |   |
|-----------|---|
| Note      | Cables with a different fire class can be found in the eShop.   |
| Variants: | Other pole markings<br>Other versions (or variants) can be requested from WAGO Sales or configured at <a href="https://configurator.wago.com/">https://configurator.wago.com/</a> . |

## Electrical data

| Ratings per                     | IEC/EN 60664-1 |     |    | General information        |  |
|---------------------------------|----------------|-----|----|----------------------------|--|
| Overvoltage category            | III            | III | II | Note on contact resistance | approx. 1 mΩ of contact resistance<br>approx. 0.25 mΩ contact transition plug/<br>socket |
| Pollution degree                | 3              | 2   | 2  |                            |  |
| Nominal voltage                 | 250 V          | -   | -  |                            |  |
| Rated impulse withstand voltage | 4 kV           | -   | -  |                            |  |
| Rated current                   | 16 A           | -   | -  |                            |  |

## Connection Data

|                            |   |                     |                     |
|----------------------------|---|---------------------|---------------------|
| Total number of potentials | 3 | <b>Connection 1</b> |                     |
|                            |   | Pole number         | 3                   |
|                            |   | Wire cross-section  | 1.5 mm <sup>2</sup> |
|                            |   | Connection type     | Socket - Plug       |

## Physical data

|              |                      |
|--------------|----------------------|
| Pin spacing  | 10 mm / 0.394 inches |
| Width        | 27 mm / 1.063 inches |
| Total length | 5 m                  |

## Mechanical data

|   |   |
|---|---|
| Use                                     | Control technology  |
| Coding                                  | B   |
| Variable coding                         | Yes   |
| Marking                                 | 1 2 3   |
| Potential marking                       | 1 2 3   |
| Mating force of a plug-in connection    | approx. 20 ... 70 N (depending on pole number)  |
| Retention force of a plug-in connection | when locked: > 80N  |
| Unmating force of a plug-in connection  | when unlocked: approx. 20 ... 70 N (depending on pole number)   |
| Number of mating cycles                 | 200, without resistive load   |
| Connection type                         | Socket - Plug   |
| Type of pre-assembled cable             | Interconnecting cable   |
| Cable type                              | H05Z1Z1-F 3x1.5   |
| Protection type                         | IP20; When mated: IP2xC (These compact connectors are not designed for use in open, easily accessible areas!) |

### Plug-in connection

|                               |  |
|-------------------------------|--|
| Mismating protection          | Yes  |
| Note on mismating protection  | All WINSTA® components are 100% protected against mismating when:<br>a.) plugging different numbers of poles<br>b.) plugging while rotated 180<br>c.) plugging while laterally staggered<br>d.) plugging one pole  |
| Locking lever                 | Can be retrofitted   |
| Locking of plug-in connection | Locking lever  |
| Note on locking system        | All connectors for mounted installations (snap-in versions for lighting fixtures or devices, all types of PCB and distribution connectors) are factory-equipped with locking levers to ensure plugs and sockets are securely locked. Additional locking levers are only required for flying leads (plug/socket). |

### Material data

|                                    |  |
|------------------------------------|--|
| Note (material data)               | <a href="#">Information on material specifications can be found here</a> |
| Insulation material (main housing) | Polyamide (PA66)   |
| Flammability class per UL94        | V0   |
| Fire class per EN 50575            | B2 <sub>ca</sub>   |
| Contact material                   | Copper or copper alloy; surface-treated                                  |
| Contact Plating                    | Tin  |
| Fire load                          | 0.623 MJ   |
| Connector color                    | gray   |
| Strain relief color                | black  |
| Printing color of strain relief    | white  |
| Sheathed cable color               | gray   |
| Printing color of sheathed cable   | black  |
| Halogen-free                       | Yes  |
| Silicon-free                       | Yes  |
| Sheath material                    | Halogen-free   |
| Rubber cable                       | No   |
| Weight                             | 524.4 g  |
| Copper weight of the raw cable     | 0.043 kg/m   |

### Environmental requirements

|  |   |
|--|---|
| Processing temperature                   | -5 ... +40 °C   |
| Continuous operating temperature         | -35 ... +85 °C  |
| Note on continuous operating temperature | Cable for temperatures ≤ 70 °C (including halogen-free)<br>Insulating parts for temperatures ≤ 105 °C |

### Commercial data

|                       |               |
|-----------------------|---------------|
| PU (SPU)              | 1 pcs         |
| Packaging type        | unpacked      |
| Country of origin     | DE            |
| GTIN                  | 4055143760799 |
| Customs tariff number | 85444290900   |

**Product Classification**

|             |                      |
|-------------|----------------------|
| UNSPSC      | 26121629             |
| eCl@ss 10.0 | 27-44-06-04          |
| eCl@ss 9.0  | 27-44-06-04          |
| ETIM 9.0    | EC002587             |
| ETIM 10.0   | EC002587             |
| ECCN        | NO US CLASSIFICATION |

**Environmental Product Compliance**

|                        |                         |
|------------------------|-------------------------|
| RoHS Compliance Status | Compliant, No Exemption |
|------------------------|-------------------------|

**Downloads**

**Environmental Product Compliance**

|  |                   |
|--|-------------------|
| Compliance Search                                    |                   |
| Environmental Product Compliance<br>771-9293/016-503 | <a href="#">↓</a> |

**CAD/CAE-Data**





|                                       |                   |
|---------------------------------------|-------------------|
| CAE data                              |                   |
| EPLAN Data Portal<br>771-9293/016-503 | <a href="#">↓</a> |

**1 Compatible Products**

**1.1 Required Accessories**

**1.1.1 Locking system**





**1.1.1.1 Locking system**

|   |   |   |   |
|---|---|---|---|
|                |                |             |            |
| <a href="#">Item No.: 770-101</a><br>Locking lever; for flying leads; for manual operation; black | <a href="#">Item No.: 770-121</a><br>Locking lever; for flying leads; for manual operation; white | <a href="#">Item No.: 770-111</a><br>Locking lever; for flying leads; for tool operation; black | <a href="#">Item No.: 770-131</a><br>Locking lever; for flying leads; for tool operation; white |

**1.2 Optional Accessories**

**1.2.1 Cover**

**1.2.1.1 Cover**

|   |   |  |  |
|---|---|--|--|
|                |                |    |         |
| <a href="#">Item No.: 770-201</a><br>Lockout cap; 12-pole, separable; for sockets; Plastic; black | <a href="#">Item No.: 770-221</a><br>Lockout cap; 12-pole, separable; for sockets; Plastic; white | <a href="#">Item No.: 770-360</a><br>Lockout cap; for plugs; 5-pole; separable; yellow | <a href="#">Item No.: 897-2003</a><br>Protective cap; Type2; for sockets and plugs; PVC; red |

## 1.2.2 Installation

### 1.2.2.1 Mounting accessories



**Item No.: 770-310**

Mounting carrier; 2- to 5-pole; for flying leads; black

## 1.2.3 Marking

### 1.2.3.1 Marker



**Item No.: 770-450/000-006**

Marker card; Plastic; blue



**Item No.: 770-450/000-001**

Marker card; Plastic; green



**Item No.: 770-450/000-012**

Marker card; Plastic; orange



**Item No.: 770-450/000-005**

Marker card; Plastic; red



**Item No.: 770-450**

Marker card; Plastic; white



**Item No.: 770-450/000-002**

Marker card; Plastic; yellow

### 1.2.3.2 Marking strip



**Item No.: 210-334**

Marking strips; as a DIN A4 sheet; Strip width 5 mm; Strip length 182 mm; plain; Self-adhesive; white