

Technische Daten/ Technical Data

KLUDI-ASANA
head shower 1 S
DN 15

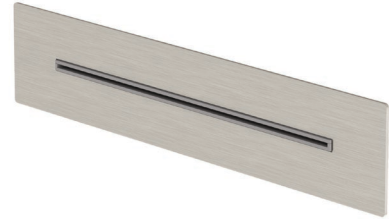
Ref.: 69500N3-00

Finishes:
N5 Stainless Brushed Nickel PVD

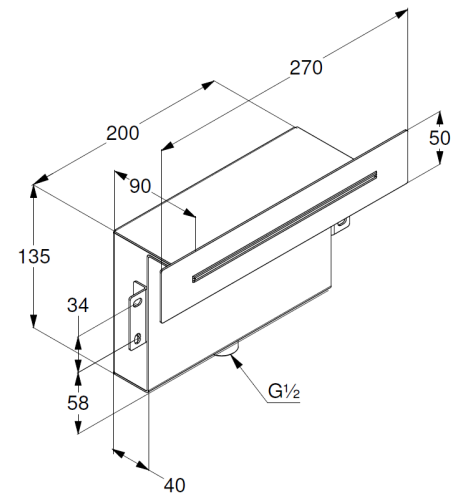
Product description
Manufacturer KLUDI GmbH & Co. KG
Typ: KLUDI-ASANA
head shower 1 S
Ref.: 69500N3-00

only for in-wall-installation
waterfall
flow rate at 3 bar > 45 l/min.
fixed spout
connection G1/2

Produktabbildung/ Product picture



Maßzeichnung/ Dimensional drawing



Durchfluss/ Flow rate

