

Product data sheet Spirotech

Product name

EMCM Solo-9 max 11bar

Article number

EMCM-S9-11.0

Product properties

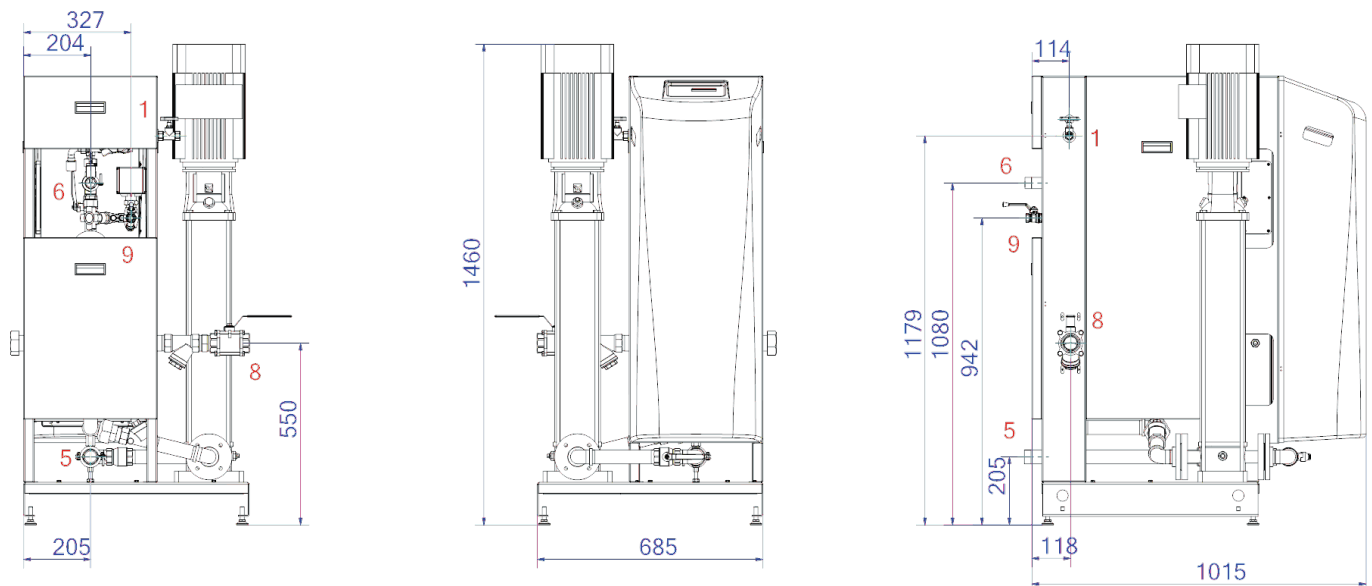
The MultiControl Modular SOLO is an automatic expansion and pressure-maintaining device. The unit contains 1 pump (1x 100%) and an overflow valve. A separate storage tank is required.

- 1 pump (1x 100%)
- 1 overflow valve (1x 100%)
- At least 1 unpressurized expansion vessel needs to be added
- Operational pressure range up to 4.0 to 16.0 bar
- The maximum temperature at the point of connection: 70°C (over 70°C possible with auxiliary tank)
- Maximum safety temperature in the system: 110°C
- Maximum operating pressure (PN) up to: 25 bar

Product image



Product dimensions



1. Refill connection

Rp1/2, Rp3/4

6. Overflow line to the expansion tank

R6/4

5. Suction line from expansion vessel

R5/4

8. Expansion pressure pipe

Rp6/4

Product data sheet Spirotech

ETIM product data

| | | | |
|--------------------------------|----------------------------|---------------------------------------|-----------------|
| Height | 1460 mm | Double pump | No |
| Max. operating pressure | 11 bar | With exchangeable membrane | No |
| Connection | Other | Compressor in base | No |
| Power consumption | 4.2 kW | Nominal diameter expansion connection | 1 1/2 inch (40) |
| Couplable | Yes | Max. medium temperature (continuous) | 70 °C |
| Electrical connection | Connection cable with plug | For heating systems up to | 1 MW |
| Function master/slave | No | Horizontal positioning | No |
| With pressure expansion vessel | No | Connection voltage | 400 V |
| Digital control unit | Yes | Article compression class | PN 16 |

Disclaimer

This product sheet has been compiled with the greatest possible care. Nevertheless, it may contain errors or omissions. For the most current and correct information we refer you to our website

