



Eatons new exit sign  
luminaire for assembly rooms  
darkened during operation

**EATON**

*Powering Business Worldwide*



## When it comes to protecting life and property, there's no room to compromise.

In a constantly changing world, owners and operators of commercial and industrial buildings must keep up-to-date with the changing nature of risk. Safe evacuation is becoming more challenging due to a number of external influences.

### What are the risks businesses face today ?

#### The ongoing risk of fire

Over a third of businesses never resume operations after a major fire- losing orders, contracts, and key employees. This results in lost jobs and services to the community.

#### Non-traditional threats

Power outages, terrorism and domestic extremism are a rising cause for evacuation. These risks demand a different approach when planning for safe evacuation. High-profile terrorist attacks can shape regulation.

### Each emergency lighting system is important, it protects life and health.

- Escape route marking during regular power supply: Evacuation of a building due to an accident, a bomb threat etc.
- During blackout: Light supply
  - Showing the directions out of the building
  - Illumination of the escape route to guarantee a safe evacuation

## Our products meet your challenges

### Innovation, tests and compliance for more reliability

- We constantly innovate for contemporary design and technologies
- Customers light engineering requirements are fully tested at an in-house lighting laboratory. We also expose newly developed products to extreme conditions and life cycle testing
- As a commitment to deliver high quality for all products and employees, Eaton's emergency lighting manufacturing facilities are certified ISO 9001
- Most of our products and complete systems are 3rd party certified

### Eco-friendly luminaires all along their life cycle

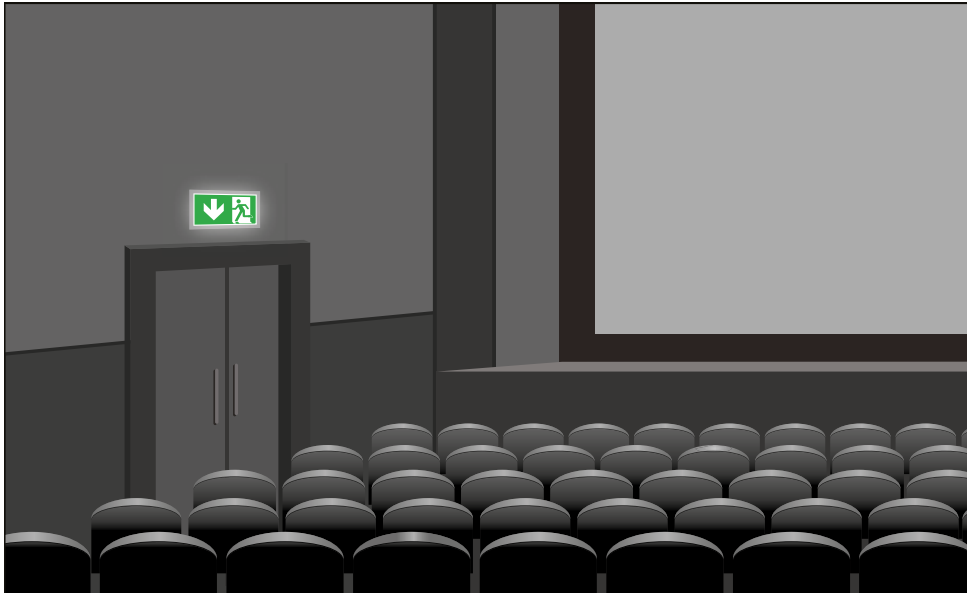
Our manufacturing plants are ISO14001 & ISO 9001 certified. We are committed to favour the choice of recycled materials and reduce weight and volume of products and packaging. Our LED luminaires are low consumption, prevent from relamping operations as there life time goes up to 50.000 hours.

### A large portfolio for a wide range of applications

- Exit sign, escape route, anti-panic luminaires
- Aesthetic solutions
- Indoor or outdoor
- High output
- Special Luminaire solutions: Explosion protected, high ingress protection, Low temperature, high light output, narrow-beam lenses for high bay installations, HACCP suitable
- Central Battery Systems: With AC/DC or AC/AC output
- Central Visualization

## Exit sign luminaire for assembly rooms darkened during operation

The GuideLed Cinema - our classic with a new feature: the exit sign luminaire from Eaton offers due of the dimming undisturbed and glare-free movie enjoyment without neglecting safety.



### Admission with 100% Licht

During the admission, the hall lighting is switched on. The GuideLed Cinema are fixed undimmed to 100% luminous flux.



### Cinema show with dimmed light

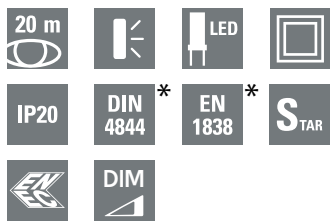
At the beginning of the cinema show, the lighting in the hall is dimmed to off. The GuideLed Cinema is dimmed to adjusted dim-level via the dimming input:

Via a rotary switch a desired dimming value can be adjustet in order to optically adapt to circumstances.

In case of an emergency, the exit sign luminaire regulates the luminous flux directly to 100% so that the room can be safely left.

# GuideLed Cinema 10011 CG-S

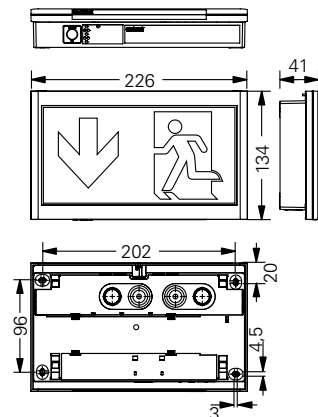
## Wall mounting



GuideLed Cinema 10011 CG-S



Dimensions in mm



Please observe a distance of 10 mm above for mounting!

### GuideLed Cinema 10011 CG-S

- Escape sign luminaire with LED Lightguide technology for wall-mounting
- Additional feature: Dimming input
- Specially designed for operationally darkened rooms, e.g. cinemas, dimming is possible during film screening
- Dimming can be activated via potential-free switching input
- One of 10 possible dimming values adjustable via rotary switch
- Luminance of the white contrasting colour > 500 cd/m<sup>2</sup> in line with DIN 4844-1 and high uniformity L<sub>min</sub>/L<sub>max</sub> > 0.8 (dimmer switch position of 100%)
- Reduced battery costs on account of especially low power consumption
- Minimum service requirement due to high service life of the LEDs (50 000 hours)
- Installation of the LED pictogram without tools on the mounting set

Viewing distance	20 m
Luminous $\Phi_e/\Phi_N$ at the end of rated operating time	100 %
Housing material	PC, PMMA
Housing colour	Light grey RAL 7035
Weight	0.7 kg
Type of mounting	Wall mounting
Connection terminal	Mains 3 x 2 x 2.5 mm <sup>2</sup> Switch input / 2 x 2 x 1.5 mm <sup>2</sup>
Connection voltage	220 - 240 V AC, 50/60 Hz 176 V - 275 V DC
Current consumption - battery operation (220 V)	8 mA (undimmed)
Power consumption mains operation (apparent power / effective power)	4.0 VA / 1.9 W
Permissible ambient temperature	-20 °C to +40 °C
Light source	LED stripes

### Ordering details - fastening set

**LED pictograms must ordered separte**

**Order No.**

Wall mounting set for GuideLed Cinema 10011/11011CG-S, Surface mounting, including LED supply with additional dimming input and CG-S technology (20 addresses)

40071354656

### Ordering details - LED pictograms (fastening set required)

**Scope of supply**

**Order No.**

LED pictogram for GuideLed 10011/10012/10013 CG-S, arrow left (PL), acc. ISO 7010, 20 m



40071354500

LED pictogram for GuideLed 10011/10012/10013 CG-S, arrow right (PR), acc. ISO 7010, 20 m



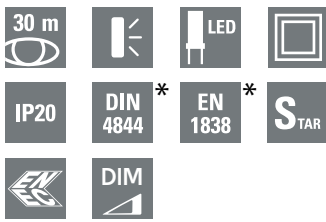
40071354501

LED pictogram for GuideLed 10011/10012/10013 CG-S, arrow down (PU), acc. ISO 7010, 20 m



40071354502

- \* Adjustable dimming level:  
3%, 5%, 7%, 9%, 11%, 14%, 30% (fulfills EN 1838)  
100% (fulfills ISO 3864-1)



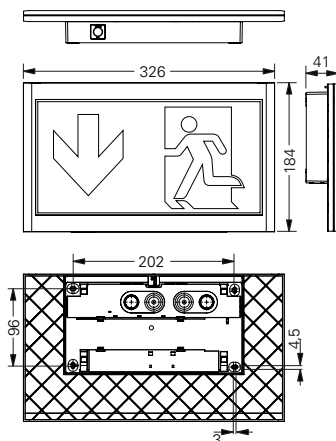
## GuideLed Cinema11011 CG-S

- Escape sign luminaire with LED Lightguide technology for wall-mounting
- Additional feature: Dimming input
- Specially designed for operationally darkened rooms, e.g. cinemas, dimming is possible during film screening
- Dimming can be activated via potential-free switching input
- One of 10 possible dimming values adjustable via rotary switch
- High luminance of the white contrasting colour  
> 500 cd/m<sup>2</sup> in keeping with standard ISO 3864-1 and high uniformity L<sub>min</sub>/L<sub>max</sub> > 0.8 (dimmer switch position of 100%)
- Reduced battery costs on account of especially low power consumption
- Minimum service requirement due to high service life of the LEDs (50 000 hours)
- Installation of the LED pictogram without tools on the mounting set

GuideLed Cinema 11011 CG-S



Dimensions in mm



Please observe a distance of 10 mm above for mounting!

Viewing distance	30 m
Luminous $\Phi_E/\Phi_N$ at the end of rated operating time	100 %
Housing material	PC, PMMA
Housing colour	Light grey RAL 7035
Weight	0.7 kg
Type of mounting	Wall mounting
Connection terminal	Mains 3 x 2 x 2.5 mm <sup>2</sup> Switch input / 2 x 2 x 1.5 mm <sup>2</sup>
Connection voltage	220 - 240 V AC, 50/60 Hz 176 V - 275 V DC
Current consumption - battery operation (220 V)	11 mA (undimmed)
Power consumption mains operation (apparent power / effective power)	5.0 VA / 2.6 W
Permissible ambient temperature	-20 °C to +40 °C
Light source	LED stripes




### Ordering details - fastening set

#### LED pictograms must ordered sepearate

	Order No.
Wall mounting set for GuideLed Cinema 10011/11011CG-S, Surface mounting, including LED supply with additional dimming input and CG-S technology (20 addresses)	40071354656

### Ordering details - LED pictograms (fastening set required)

#### Scope of supply

	Order No.
LED pictogram for GuideLed 10011/10012/10013 CG-S, arrow left (PL), acc. ISO 7010, 30 m 	40071354530
LED pictogram for GuideLed 10011/10012/10013 CG-S, arrow right (PR), acc. ISO 7010, 30 m 	40071354531
LED pictogram for GuideLed 10011/10012/10013 CG-S, arrow down (PU), acc. ISO 7010, 30 m 	40071354532

\* Adjustable dimming level:  
3%, 5%, 7%, 9%, 11%, 14%, 30% (fulfills EN 1838)  
100% (fulfills ISO 3864-1)



## Features

- Dimming via pot.-free input for connection of external switch actors
- One of ten possible dimming values via rotary switch selectable
- For 20m and 30m viewing distance
- Minimized maintenance effort due to high life expectancy of LEDs of up to 50.000 hours
- Toolless mounting of the LED pictogram on the mounting set
- Fulfills the EN1838 in dimming mode at > 3% dimming setting



The exit sign luminaires GuideLed Cinema 10011 or 11011 CG-S are special designed for dark rooms like cinemas. To avoid a glare due to bright exit sign during a movie presentation, the GuideLed Cinema 10011/11011 CG-S has a switch input, which dims the exit sign to a fix light output, if the input is closed via a potential free relay contact, e.g. DMX actor. It is possible to select **one** of ten available DIM levels. In case of emergency operation, e.g. mains failure of the general lighting, the exit signs regulates immediately to 100% light output so that the hall can be left safely.

## Areas of application

- Cinema
- Theater
- Projection room
- Training room
- Lecture hall
- Planetarium



Eatons Ziel ist es, zuverlässige, effiziente und sichere Stromversorgung dann zu bieten, wenn sie am meisten benötigt wird. Die Experten von Eaton verfügen über ein umfassendes Fachwissen im Bereich Energiemanagement in verschiedensten Branchen und sorgen so für kundenspezifische, integrierte Lösungen, um anspruchsvollste Anforderungen der Kunden zu erfüllen.

Wir sind darauf fokussiert, stets die richtige Lösung für jede Anwendung zu finden. Dabei erwarten Entscheidungsträger mehr als lediglich innovative Produkte. Unternehmen wenden sich an Eaton, weil individuelle Unterstützung und der Erfolg unserer Kunden stets an erster Stelle stehen. Für mehr Informationen besuchen Sie [www.eaton.de](http://www.eaton.de).

Ihre Ansprechpartner finden Sie unter [www.ceag.de](http://www.ceag.de).

**Eaton Industries Manufacturing GmbH**

Electrical Sector EMEA  
Route de la Longeraie 7  
1110 Morges, Switzerland  
[www.eaton.eu](http://www.eaton.eu)

**CEAG Notlichtsysteme GmbH**

Senator-Schwartz-Ring 26  
59494 Soest, Germany  
Tel.: +49 (0) 2921 69-870  
Fax: +49 (0) 2921 69-617  
E-Mail: [info-n@eaton.com](mailto:info-n@eaton.com)  
Web: [www.ceag.de](http://www.ceag.de)

Changes to the products, to the information contained in this document, and to prices are reserved; so are errors and omissions. Only order confirmations and technical documentation by Eaton is binding. Photos and pictures also do not warrant a specific layout or functionality. Their use in whatever form is subject to prior approval by Eaton. The same applies to Trademarks (especially Eaton, Moeller, and Cutler-Hammer).

© 2018 Eaton  
All Rights Reserved  
Printed in Germany  
Publication No. BR451030EN  
Order No. 40071860341

Eaton is a registered trademark.

All other trademarks are property of their respective owners.



Powering Business Worldwide