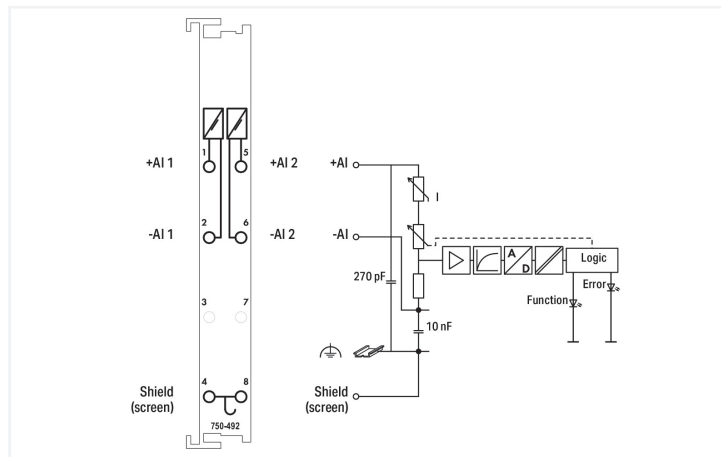
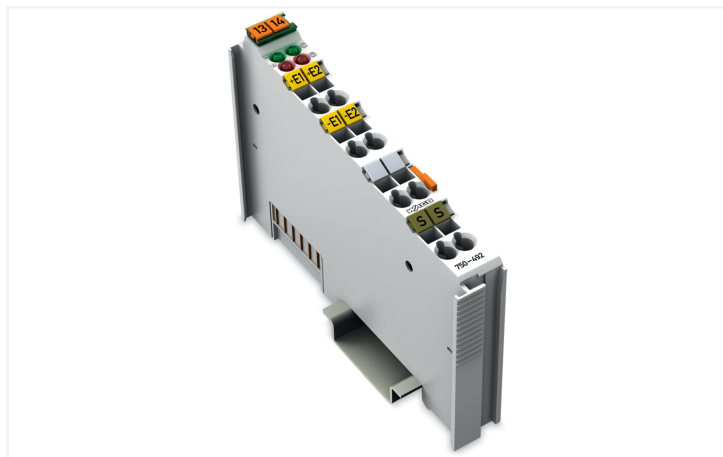
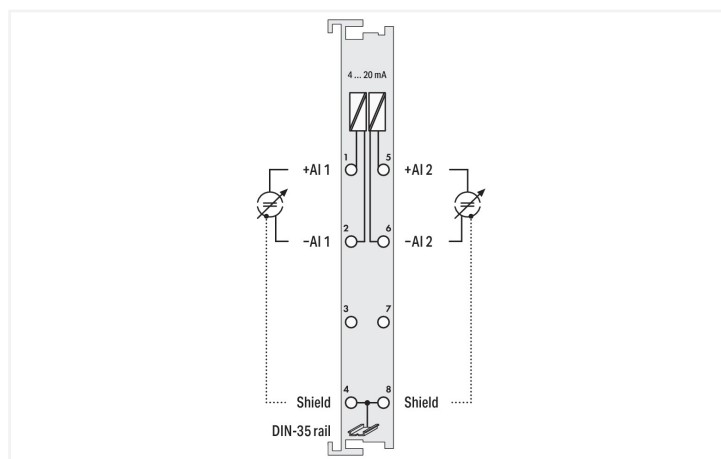
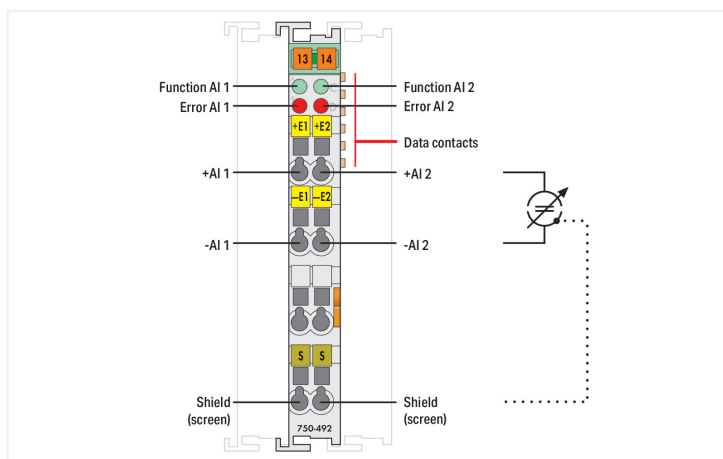


Data Sheet | Item Number: 750-492
 2-channel analog input; 4 ... 20 mA; Differential input

<https://www.wago.com/750-492>



Color: ■ light gray



This analog input module processes differential signals ranging from 4 to 20 mA.
 The input signal of each channel is electrically isolated and is transmitted with a resolution of 13 bits.
 The system supply powers the module.
 The shield directly connects to the DIN-rail.

- Measured value acquisition: Time synchronous within the module
- Measurement range overflow/underflow: Status byte and LED
- Conversion method: SAR (Successive Approximation Register)
- Operating mode: Continuously sampling (default)
- Protection: Non-linear limiting

Technical data

Number of analog inputs	2
Total number of channels (module)	2
Signal type	Current
Signal type (current)	4 ... 20 mADC
Sensor connection	2 x (2-wire)
Input filter	Low pass (1st order), $f_c = 5$ kHz
Signal characteristics	Differential
Resolution [bit]	13 bits
Operating mode	Continuously sampling (default)
Input resistance (max.)	270 Ω

Technical data

Data width	2 x 16-bit data; 2 x 8-bit control/status (optional)
Protective device	Non-linear limiting
Admissible continuous overload	30 V
Crosstalk attenuation	80 dB
Monotonicity without error code	Yes
Measurement error (reference temperature)	25 °C
Measurement error, deviation (max.) from the upper-range value	0.05 %
Measurement error over entire temperature range	≤ 0.4 %
Temperature error (max.) of the upper-range value	0.01 %/K
Sampling duration	5 µs
Sampling delay (channel/channel)	1 µs
Sampling delay (module)	1 ms
Sampling repetition time	1 ms
Measurement range overflow/underflow	Status byte and LED
Measured value acquisition	Time synchronous within the module
Value of the least significant bit (LSB)	2.4 µA
Conversion method	SAR (Successive Approximation Register)
Supply voltage (system)	5 VDC; via data contacts
Current consumption (5 V system supply)	80 mA
Isolation	500 V system/field or channel/channel
Indicators	LED (A, C) green: Function AI 1, AI 2; LED (B, D) red: Error AI 1, AI 2

Connection Data

Connection technology: I/O	6 x CAGE CLAMP®
Connectable conductor materials	Copper
Connection type	Inputs/outputs
Solid conductor	0.08 ... 2.5 mm ² / 28 ... 14 AWG
Fine-stranded conductor	0.08 ... 2.5 mm ² / 28 ... 14 AWG
Strip length	8 ... 9 mm / 0.31 ... 0.35 inches

Physical data

Width	12 mm / 0.472 inches
Height	100 mm / 3.937 inches
Depth	69.8 mm / 2.748 inches
Depth from upper-edge of DIN-rail	62.6 mm / 2.465 inches

Mechanical data

Mounting type	DIN-35 rail
Pluggable connector	fixed

Material data

Color	light gray
Housing material	Polycarbonate; polyamide 6.6
Fire load	0.695 MJ
Weight	51 g
Conformity marking	CE

Environmental requirements

Ambient temperature (operation)	0 ... +55 °C
Ambient temperature (storage)	-40 ... +85 °C
Protection type	IP20
Pollution degree	2 per IEC 61131-2
Operating altitude	0 ... 2000 m / 0 ... 6562 ft
Mounting position	Horizontal left, horizontal right, horizontal top, horizontal bottom, vertical top and vertical bottom
Relative humidity (without condensation)	95 %
Vibration resistance	Per IEC 60068-2-6
Shock resistance	15g per IEC 60068-2-27
EMC immunity to interference	per EN 61000-6-2
EMC emission of interference	per EN 61000-6-4
Exposure to pollutants	per IEC 60068-2-42 and IEC 60068-2-43
Permissible H ₂ S contaminant concentration at a relative humidity 75 %	10 ppm
Permissible SO ₂ contaminant concentration at a relative humidity 75 %	25 ppm

Commercial data

Product Group	15 (I/O System)
PU (SPU)	1 pcs
Packaging type	Box
Country of origin	DE
GTIN	4045454470296
Customs tariff number	85389099990

Product Classification

UNSPSC	32101602
eCl@ss 10.0	27-24-26-01
eCl@ss 9.0	27-24-26-01
ETIM 9.0	EC001596
ETIM 10.0	EC001596
ECCN	NO US CLASSIFICATION

Environmental Product Compliance

CAS-No.	1303-86-2 1317-36-8 7439-92-1
REACH Candidate List Substance	Diboron trioxide Lead Lead monoxide
RoHS Compliance Status	Compliant,With Exemption
RoHS Exemption	6(c) 7(a) 7(c)-I 7(c)-II
SCIP notification number (Austria)	4a03cea2-891e-427a-8d5f-adb5c5c46d28
SCIP notification number (Belgium)	7a23a592-bcaa-47a6-8207-9c3b74f88eb0
SCIP notification number (Bulgaria)	b3adb6b-05a9-4994-80c6-6e5d36709d81
SCIP notification number (Czech Republic)	b1c26e98-fed6-4f46-a6bc-c7c04d583fd5
SCIP notification number (Denmark)	07827259-9cbe-4ff4-880f-2d319481edfc
SCIP notification number (Finland)	35b67ef2-2926-41fb-b6f9-e977a5479c04
SCIP notification number (France)	665143e7-b7e0-4b33-a706-b30c1e3fcbd6
SCIP notification number (Germany)	27b66c0f-fd5a-4f9c-9cab-9e845adee436
SCIP notification number (Hungary)	3be21210-6a4e-4edb-b97f-bb52e0ef7577
SCIP notification number (Italy)	2d6118dc-397d-48b6-886a-012f74dcb257
SCIP notification number (Netherlands)	e0ff15c3-b1bd-402c-8c1c-a35ac274d371
SCIP notification number (Poland)	f78bc6e7-dcd4-41d5-b47d-b17b433fb480

Environmental Product Compliance

SCIP notification number (Romania)	96455f8d-0c68-45c6-98ad-53091038460d
SCIP notification number (Sweden)	2b2142e1-e6c2-4b18-8cb2-a937b9f7c5f6

Approvals / Certificates

General approvals



Approval	Standard	Certificate Name
EAC GZO Almaty Standart	TP TC 020/2011	EAC CoC 03083
KC National Radio Research Agency	Article 58-2, Clause 3	MSIP-REM-W43-AIM750
UL Underwriters Laboratories Inc. (ORDINARY LOCATIONS)	UL 508	E175199

Declarations of conformity and manufacturer's declarations

Approval	Standard	Certificate Name
EU-Declaration of Conformity WAGO GmbH & Co. KG	-	-
UK-Declaration of Conformity WAGO GmbH & Co. KG	-	-

Approvals for hazardous areas



Approval	Standard	Certificate Name
ATEX TUEV Nord Cert GmbH	EN 60079-0	TUEV14ATEX148929X (II 3 G Ex ec IIC T4 Gc)
CCCEX CQST/CNEC	CNCA-C23-01	2020312310000213 (Ex ec IIC T4 Gc)
IECEX TUEV Nord Cert GmbH	IEC 60079-0	IECEX TUN 14.0035 X (Ex ec IIC T4 Gc)
INMETRO TÜV Rheinland do Brasil Ltda.	IEC 60079-0	TÜV 12.1297 X
UKEX WAGO GmbH & Co. KG	EN 60079-0	UKCA_WA GO22UKEX003X_ec
UL Underwriters Laboratories Inc. (HAZARDOUS LOCATIONS)	UL 121201	E198726

Downloads

Environmental Product Compliance

Compliance Search

Environmental Product Compliance 750-492	↓
--	---

Documentation

Manual				System Description			
Product Manual 2-channel, 4-20mA	V 1.1.0	pdf	1995.61 KB	750/753 Series I/O-System – General Product Information		pdf	953.35 KB
System Manual Series 750/753				Overview on WAGO-I/O-SYSTEM 750 approvals		pdf	770.48 KB
Bid Text				Instruction Leaflet			
750-492	19.02.2019	xml	4.74 KB	CCC Ex (Additional information)	26.04.2023	pdf	159.76 KB
750-492	17.10.2017	doc	28.50 KB				

CAD/CAE-Data

CAD data		CAE data	
2D/3D Models 750-492		EPLAN Data Portal 750-492	
		WSCAD Universe 750-492	
		ZUKEN Portal 750-492	

Device Files

Device Driver			
WAGO USB Service Kabel Treiber / Serie 750 und 857	6.5.3.0	10.09.2014	zip 4721.96 KB

1 Compatible Products

1.1 Optional Accessories

1.1.1 DIN-rail

1.1.1.1 Mounting accessories



Item No.: 210-196
Aluminum carrier rail; 35 x 8.2 mm; 1.6 mm thick; 2 m long; unslotted; similar to EN 60715; silver-colored



Item No.: 210-198
Copper carrier rail; 35 x 15 mm; 2.3 mm thick; 2 m long; unslotted; according to EN 60715; copper-colored



Item No.: 210-197
Steel carrier rail; 35 x 15 mm; 1.5 mm thick; 2 m long; slotted; similar to EN 60715; silver-colored



Item No.: 210-114
Steel carrier rail; 35 x 15 mm; 1.5 mm thick; 2 m long; unslotted; similar to EN 60715; silver-colored



Item No.: 210-118
Steel carrier rail; 35 x 15 mm; 2.3 mm thick; 2 m long; unslotted; according to EN 60715; silver-colored



Item No.: 210-112
Steel carrier rail; 35 x 7.5 mm; 1 mm thick; 2 m long; slotted; according to EN 60715; "Hole width 25 mm; silver-colored



Item No.: 210-113
Steel carrier rail; 35 x 7.5 mm; 1 mm thick; 2 m long; unslotted; according to EN 60715; silver-colored

1.1.2 Marking

1.1.2.1 Group marker carrier



Item No.: 750-106
Group marker carrier

1.1.2.2 Marker

Item No.: 750-100
Marker card; as a DIN A4 sheet; plain

Item No.: 2009-145/000-006
Mini-WSB Inline; for Smart Printer; 1700 pieces on roll; stretchable 5 - 5.2 mm; plain; snap-on type; blue

Item No.: 2009-145/000-007
Mini-WSB Inline; for Smart Printer; 1700 pieces on roll; stretchable 5 - 5.2 mm; plain; snap-on type; gray

Item No.: 2009-145/000-023
Mini-WSB Inline; for Smart Printer; 1700 pieces on roll; stretchable 5 - 5.2 mm; plain; snap-on type; green

Item No.: 2009-145/000-012
Mini-WSB Inline; for Smart Printer; 1700 pieces on roll; stretchable 5 - 5.2 mm; plain; snap-on type; orange

Item No.: 2009-145/000-005
Mini-WSB Inline; for Smart Printer; 1700 pieces on roll; stretchable 5 - 5.2 mm; plain; snap-on type; red

Item No.: 2009-145/000-024
Mini-WSB Inline; for Smart Printer; 1700 pieces on roll; stretchable 5 - 5.2 mm; plain; snap-on type; violet

Item No.: 2009-145
Mini-WSB Inline; for Smart Printer; 1700 pieces on roll; stretchable 5 - 5.2 mm; plain; snap-on type; white

Item No.: 2009-145/000-002
Mini-WSB Inline; for Smart Printer; 1700 pieces on roll; stretchable 5 - 5.2 mm; plain; snap-on type; yellow

Item No.: 248-501/000-006
Mini-WSB marking card; as card; not stretchable; plain; snap-on type; blue

Item No.: 248-501/000-007
Mini-WSB marking card; as card; not stretchable; plain; snap-on type; gray

Item No.: 248-501/000-023
Mini-WSB marking card; as card; not stretchable; plain; snap-on type; green

Item No.: 248-501/000-017
Mini-WSB marking card; as card; not stretchable; plain; snap-on type; light green

Item No.: 248-501/000-012
Mini-WSB marking card; as card; not stretchable; plain; snap-on type; orange

Item No.: 248-501/000-005
Mini-WSB marking card; as card; not stretchable; plain; snap-on type; red

Item No.: 248-501/000-024
Mini-WSB marking card; as card; not stretchable; plain; snap-on type; violet

Item No.: 248-501
Mini-WSB marking card; as card; not stretchable; plain; snap-on type; white

Item No.: 248-501/000-002
Mini-WSB marking card; as card; not stretchable; plain; snap-on type; yellow

1.1.2.3 Marker carrier



Item No.: 750-103
Group marker carrier

1.1.3 Shield termination

1.1.3.1 Shield clamping saddles



Item No.: 790-108
Shield clamping saddle; 11 mm wide; diameter of compatible conductor; 3 ... 8 mm



Item No.: 790-208
Shield clamping saddle; 12.4 mm wide; 3 ... 8 mm



Item No.: 790-116
Shield clamping saddle; 19 mm wide; diameter of compatible conductor; 7 ... 16 mm



Item No.: 790-216
Shield clamping saddle; 21.8 mm wide; 6 ... 16 mm



Item No.: 790-124
Shield clamping saddle; 27 mm wide; diameter of compatible conductor; 6 ... 24 mm



Item No.: 790-220
Shield clamping saddle; 30 mm wide; 6 ... 20 mm



Item No.: 790-140
Shield clamping saddle; diameter of compatible conductor

1.1.4 System enclosure

1.1.4.1 System enclosure



Item No.: 850-825
 IP65 enclosure; Aluminium (RAL 7032);
 WxHxD (160x100x160 mm); 9 x M12, 4 x
 M20



Item No.: 850-826
 IP65 enclosure; Aluminium (RAL 7032);
 WxHxD (240x100x160 mm); 4 x M20, 4 x
 M16, 14 x M12 cable grip



Item No.: 850-827
 IP65 enclosure; Aluminium (RAL 7032);
 WxHxD (320x100x160 mm); 4 x M20, 8 x
 M16, 17 x M12 cable grip



Item No.: 850-828
 IP65 enclosure; Aluminium (RAL 7032);
 WxHxD (480x100x160 mm); 4 x M20, 10 x
 M16, 35 x M12 cable grip



Item No.: 850-826/002-000
 IP65 enclosure; Aluminium (RAL 7035);
 WxHxD (240x100x160 mm); 4 x M20, 4 x
 M16, 14 x M12 cable grip



Item No.: 850-827/002-000
 IP65 enclosure; Aluminium (RAL 7035);
 WxHxD (320x100x160 mm); 4 x M20, 8 x
 M16, 17 x M12 cable grip



Item No.: 850-828/002-000
 IP65 enclosure; Aluminium (RAL 7035);
 WxHxD (480x100x160 mm); 4 x M20, 10 x
 M16, 35 x M12 cable grip



Item No.: 850-834
 IP65 enclosure; Polyester (RAL 7032); Wx-
 HxD (164x100x164 mm); 9 x M12, 4 x M20



Item No.: 850-835
 IP65 enclosure; Polyester (RAL 7032); Wx-
 HxD (244x100x164 mm); 4 x M20, 4 x
 M16, 14 x M12 cable grip



Item No.: 850-836
 IP65 enclosure; Polyester (RAL 7032);
 WxHxD (324x100x164 mm); 4 x M20, 8 x
 M16, 17 x M12 cable grip



Item No.: 850-814/002-000
 IP65 enclosure; Sheet steel (RAL 7035);
 WxHxD (200x120x200 mm); without flan-
 ge plate



Item No.: 850-815/002-000
 IP65 enclosure; Sheet steel (RAL 7035);
 WxHxD (300x120x200 mm); without flan-
 ge plate



Item No.: 850-816/002-000
 IP65 enclosure; Sheet steel (RAL 7035);
 WxHxD (400x120x200 mm); without flan-
 ge plate



Item No.: 850-817/002-000
 IP65 enclosure; Sheet steel (RAL 7035);
 WxHxD (600x120x200 mm); without flan-
 ge plate