

13 415 979 Product version from 10/1/2023



- CASCADE, max. flow rate 26.5 l/min (at 3 bar)
- Function from: 22.5 l/min
- with anti-scale system

**Technical data:**

- cover plate 240 x 60 mm
- 150mm projection
- 1/2" connection
- plug-link mounting

**Notes:**

|  |                               |               |
|--|-------------------------------|---------------|
|  | Platinum                      | 13 415 979-08 |
|  | Chrome                        | 13 415 979-00 |
|  | Brushed Platinum              | 13 415 979-06 |
|  | Dark Chrome                   | 13 415 979-19 |
|  | Light Gold (PVD)              | 13 415 979-26 |
|  | Brushed Light Gold (PVD)      | 13 415 979-27 |
|  | Brushed Durabrass (23kt Gold) | 13 415 979-28 |
|  | Matte Black                   | 13 415 979-33 |
|  | Brushed Gold (PVD)            | 13 415 979-37 |
|  | Brushed Dark Brass (PVD)      | 13 415 979-39 |
|  | Brushed Bronze (PVD)          | 13 415 979-42 |
|  | Brushed Dark Bronze (PVD)     | 13 415 979-43 |
|  | Brushed Champagne (22kt Gold) | 13 415 979-46 |
|  | Champagne (22kt Gold)         | 13 415 979-47 |
|  | Brushed Chrome                | 13 415 979-93 |
|  | Brushed Dark Platinum         | 13 415 979-99 |

Recommended miscellaneous



- Concealed wall elbow -**
- min. recess depth 90 mm
  - max. recess depth 163 mm

35 085 970 90

Recommended miscellaneous

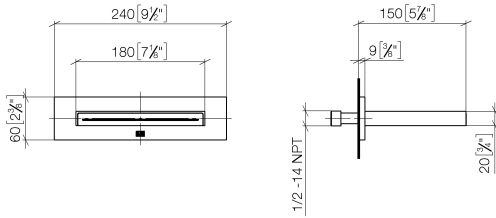


- Concealed wall elbow -**
- min. recess depth 90 mm
  - max. recess depth 163 mm

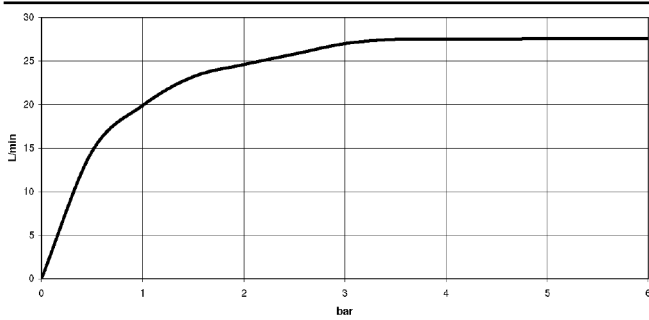
35 085 970 90

13 415 979 Product version from 10/1/2023

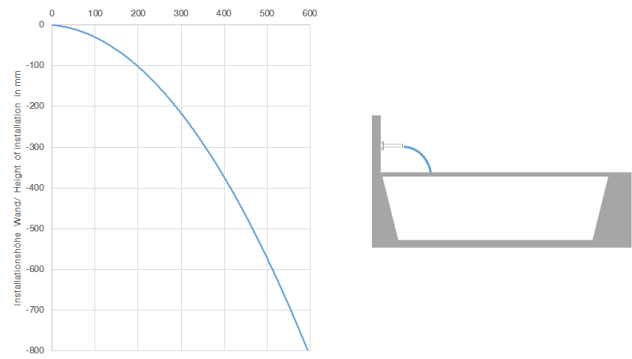
mm [inches]



**Flow rate chart**



**Trajectory diagram**



**Codes & Standards**

|                        |                             |           |          |
|------------------------|-----------------------------|-----------|----------|
| ASME A112.18.1         | cUPC                        | DIN 4109  | ISO 3822 |
| Scottish Water Byelaws | UK Water Supply Regulations | Ü-Zeichen |          |



## WATER SHEET Cascade spout for wall mounting - Platinum

SERIES-VARIOUS

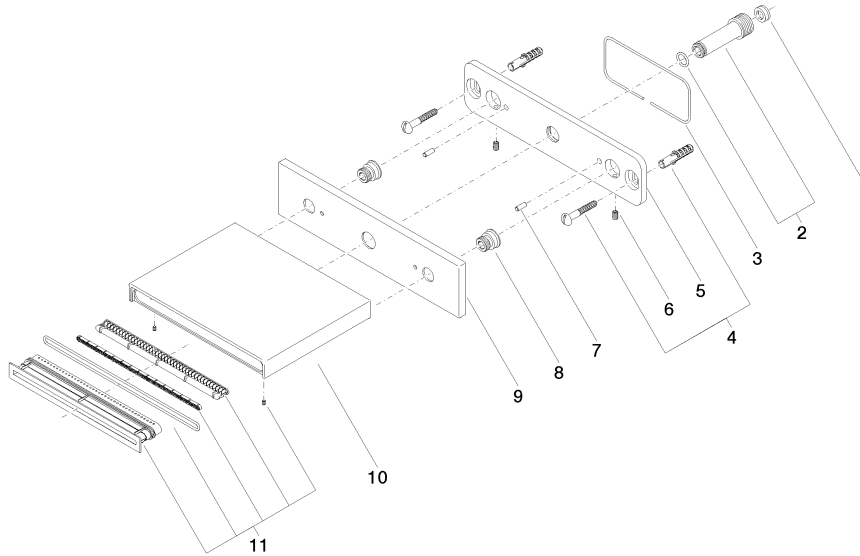
13 415 979 Product version from 10/1/2023

### Certificates and sustainability

WRAS\_2306

LGA\_19

IAPMO\_4976



### Spare parts list

| No. | Item Number        | Name   | Quantity used | Delivery time |
|-----|--------------------|--|---------------|---------------|
| 5   | 09 17 97 059 90    | Holder 234 x 55 x 7 mm -   | 1.00          | 14            |
| 6   | 09 31 11 036 90    | Mounting Threaded pin with hexagon socket with cup point M5 x 8 mm - | 2.00          | 14            |
| 4   | 04 30 31 024 01 90 | Attachment set Wood screw with dowel 6 x 40 mm -                     | 1.00          | 14            |
| 3   | 09 14 03 134 90    | Washer Round cord Ø 2 x 295 mm -                                     | 1.00          | 14            |
| 8   | 09 24 03 214 90    | Nipple Ø 19 x 16 mm -  | 2.00          | 14            |
| 10  | 09 11 78 003 20-08 | Spout 180 x 20 x 141 mm - Platinum                                   | 1.00          | 54            |
| 7   | 09 31 11 040 90    | Straight pin Ø 6 x12 mm -  | 2.00          | 14            |
| 9   | 09 27 78 031-08    | Rosette 240 x 60 x 9 mm - Platinum                                   | 1.00          | 54            |
| 2   | 90 24 03 213 00 90 | Nipple Ø 21 x 70 mm -  | 1.00          | 14            |
| 1   | 09 23 01 057 90    | Flow limiter red 26,5 l/min. -                                       | 1.00          | 14            |
| 11  | 90 29 03 059 00 90 | Beam shaper 175 x 20 x 35 mm -                                       | 1.00          | 14            |