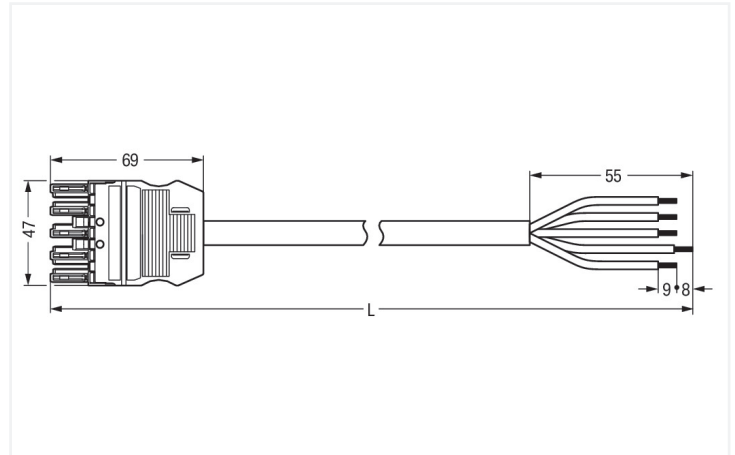
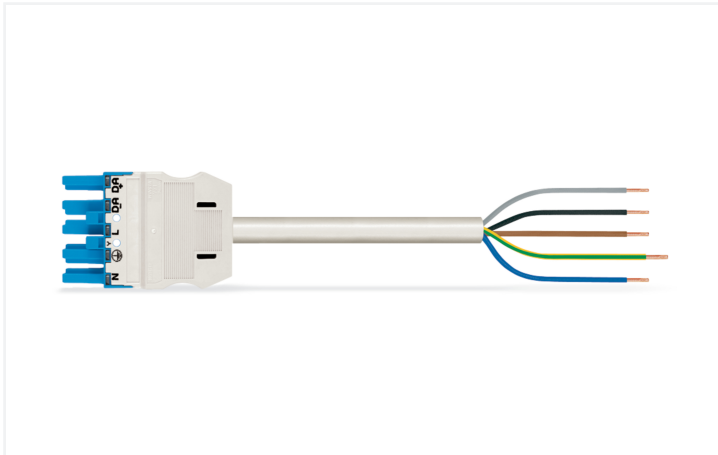


Data Sheet | Item Number: 771-9385/167-702

pre-assembled connecting cable; Cca; Socket/open-ended; 5-pole; Cod. I;
H05Z1Z1-F 5G 2.5 mm²; 7 m; 2,50 mm²

<https://www.wago.com/771-9385/167-702>



Dimensions in mm

Cable assembly WINSTA® MIDI I coding

Use effective pluggable connections instead of laborious screw connections: With the WINSTA® MIDI cable assembly I coding. Our pluggable installation connectors with spring pressure connection technology work without screw connections. They allow resource-efficient, error-free installation in numerous possible uses. The mechanical coding and color coding of the pluggable installation connector ensure error-free installation of the individual components – including protection against mismatching. The pluggable installation connector offers protection against contact with live components in accordance with protection type IP20 (When mated: IP2xC (These compact connectors are not designed for use in open, easily accessible areas!)). Regulated lighting equipment, as implemented with the DALI standard, for example, is the main application of WINSTA® MIDI pluggable installation connectors with I coding. Important parameters in the selection of a pluggable installation connector are the rated current and voltage: They provide information about possible domains of use and applications. This product has a current rating of 20 A – so it is suitable for high power loads. Our WINSTA® MIDI product line achieves total flexibility for the installation. With its Push-in CAGE CLAMP® spring pressure connection technology, it ensures error-free, time-saving installation and offers flexibility for meeting all installation requirements. If you need to meet stricter safety standards, you should use cables with fire class C. These are suitable for use in buildings with special high demands on safety. Not using halogen additives in the production of this cable assembly noticeably increases fire safety and reduces environmental pollution.

Fast, error-free assembly thanks to cable assemblies from WAGO

The cable assembly is provided with a socket and a free end. WINSTA® is the pluggable connection system that is ideally tailored to the strict requirements of electrical installation. It ensures error-free installation of cables and components, quickly and reliably. Enjoy the benefits of the pluggable version of our maintenance-free spring pressure connection technology too! Plan your installation with with fire class C from WAGO.

- effective protection against mismatching
- for automation controllers
- with I coding for lighting control (DALI standard)
- custom-engineered solutions
- convenient installation and commissioning

Notes

Note Cables with a different fire class can be found in the eShop.

Electrical data

| Ratings per | IEC/EN 60664-1 | | | General information | |
|---------------------------------|----------------|-----|----|----------------------------|--|
| Overvoltage category | III | III | II | Note on contact resistance | approx. 1 mΩ of contact resistance approx. 0.25 mΩ contact transition plug/ socket |
| Pollution degree | 3 | 2 | 2 | | |
| Nominal voltage | 400 V | - | - | | |
| Rated impulse withstand voltage | 6 kV | - | - | | |
| Rated current | 20 A | - | - | | |

Connection Data

| | | | |
|----------------------------|---------------------------|---------------------------------|---------------------|
| Total number of potentials | 5 | Connection 1 | |
| PE function | Preceding PE contact | Strip length | 9 mm / 0.35 inches |
| Conductor preparation | ultrasonically tip-bonded | Pole number | 5 |
| | | Wire cross-section | 2.5 mm ² |
| | | Strip length (outer insulation) | 55 mm |
| | | Connection type | Socket - free end |

Physical data

| | |
|--------------|-------------------------|
| Pin spacing | 10 mm / 0.394 inches |
| Width | 47 mm / 1.85 inches |
| Height | 15.38 mm / 0.606 inches |
| Total length | 7 m |

Mechanical data

| | |
|---|---|
| Use | DALI, Lighting Management |
| Coding | I |
| Variable coding | No |
| Marking | N ⊕ L DA- DA+ |
| Potential marking | N ⊕ L DA- DA+ |
| Mating force of a plug-in connection | approx. 20 ... 70 N (depending on pole number) |
| Retention force of a plug-in connection | when locked: > 80N |
| Unmating force of a plug-in connection | when unlocked: approx. 20 ... 70 N (depending on pole number) |
| Number of mating cycles | 200, without resistive load |
| Connection type | Socket - free end |
| Type of pre-assembled cable | Connecting cable |
| Cable type | H05Z1Z1-F 5G2.5 |
| Protection type | IP20; When mated: IP2xC (These compact connectors are not designed for use in open, easily accessible areas!) |

Plug-in connection

| | |
|-------------------------------|--|
| Mismating protection | Yes |
| Note on mismating protection | All WINSTA® components are 100% protected against mismating when: a.) plugging different numbers of poles b.) plugging while rotated 180 c.) plugging while laterally staggered d.) plugging one pole |
| Locking lever | Can be retrofitted |
| Locking of plug-in connection | Locking lever |
| Note on locking system | All connectors for mounted installations (snap-in versions for lighting fixtures or devices, all types of PCB and distribution connectors) are factory-equipped with locking levers to ensure plugs and sockets are securely locked. Additional locking levers are only required for flying leads (plug/socket). |

Material data

| | |
|------------------------------------|--|
| Note (material data) | Information on material specifications can be found here |
| Insulation material (main housing) | Polyamide (PA66) |
| Flammability class per UL94 | V0 |
| Fire class per EN 50575 | C _{ca} |
| Contact material | Copper or copper alloy; surface-treated |
| Contact Plating | Tin |
| Fire load | 0.528 MJ |
| Connector color | blue |
| Strain relief color | white |
| Printing color of strain relief | black |
| Sheathed cable color | white |
| Printing color of sheathed cable | black |
| Halogen-free | Yes |
| Silicon-free | Yes |
| Sheath material | Halogen-free |
| Rubber cable | No |
| Weight | 1732.4 g |
| Copper weight of the raw cable | 0.12 kg/m |

Environmental requirements

| | |
|--|---|
| Processing temperature | -5 ... +40 °C |
| Continuous operating temperature | -35 ... +85 °C |
| Note on continuous operating temperature | Cable for temperatures ≤ 70 °C (including halogen-free) Insulating parts for temperatures ≤ 105 °C |

Commercial data

| | |
|-----------------------|---------------|
| PU (SPU) | 1 pcs |
| Packaging type | unpacked |
| Country of origin | DE |
| GTIN | 4055143832458 |
| Customs tariff number | 85444290900 |

Product Classification

| | |
|-----------|----------------------|
| UNSPSC | 26121629 |
| ETIM 9.0 | EC002587 |
| ETIM 10.0 | EC002587 |
| ECCN | NO US CLASSIFICATION |

Environmental Product Compliance

| | |
|------------------------|-------------------------|
| RoHS Compliance Status | Compliant, No Exemption |
|------------------------|-------------------------|

Downloads

Environmental Product Compliance

| | |
|--|--|
| Compliance Search | |
| Environmental Product Compliance 771-9385/167-702 | |

1 Compatible Products

1.1 Required Accessories

1.1.1 Locking system

1.1.1.1 Locking system

| | | | |
|---|---|---|---|
| | | | |
| Item No.: 770-101 Locking lever; for flying leads; for manual operation; black | Item No.: 770-121 Locking lever; for flying leads; for manual operation; white | Item No.: 770-111 Locking lever; for flying leads; for tool operation; black | Item No.: 770-131 Locking lever; for flying leads; for tool operation; white |

1.2 Optional Accessories

1.2.1 Cover

1.2.1.1 Cover

| | | |
|---|---|--|
| | | |
| Item No.: 770-201 Lockout cap; 12-pole, separable; for sockets; Plastic; black | Item No.: 770-221 Lockout cap; 12-pole, separable; for sockets; Plastic; white | Item No.: 897-2005 Protective cap; Type4; for sockets and plugs; PVC; red |

1.2.2 Installation

1.2.2.1 Mounting accessories

| |
|--|
| |
| Item No.: 770-310 Mounting carrier; 2- to 5-pole; for flying leads; black |

1.2.3 Marking

1.2.3.1 Marker



[Item No.: 770-450/000-006](#)
Marker card; Plastic; blue



[Item No.: 770-450/000-001](#)
Marker card; Plastic; green



[Item No.: 770-450/000-012](#)
Marker card; Plastic; orange



[Item No.: 770-450/000-005](#)
Marker card; Plastic; red



[Item No.: 770-450](#)
Marker card; Plastic; white



[Item No.: 770-450/000-002](#)
Marker card; Plastic; yellow

1.2.3.2 Marking strip



[Item No.: 210-334](#)
Marking strips; as a DIN A4 sheet; Strip width 5 mm; Strip length 182 mm; plain; Self-adhesive; white