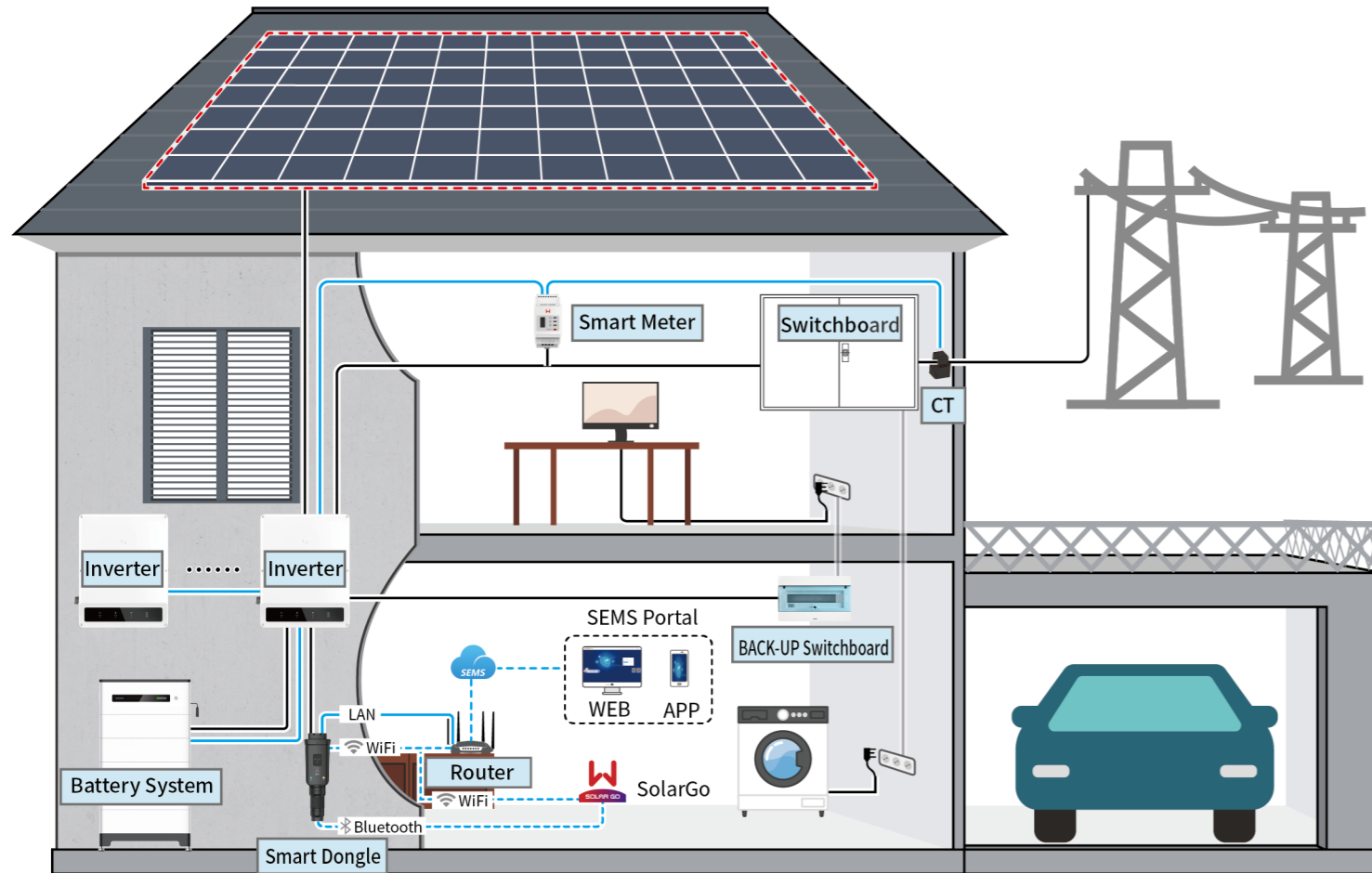


⚠ WARNING

The information in this quick guide is subject to change due to product updates or other reasons. This guide cannot replace the product labels or the safety precautions in the user manual unless otherwise specified. All descriptions in the manual are for guidance only.

01 Networking

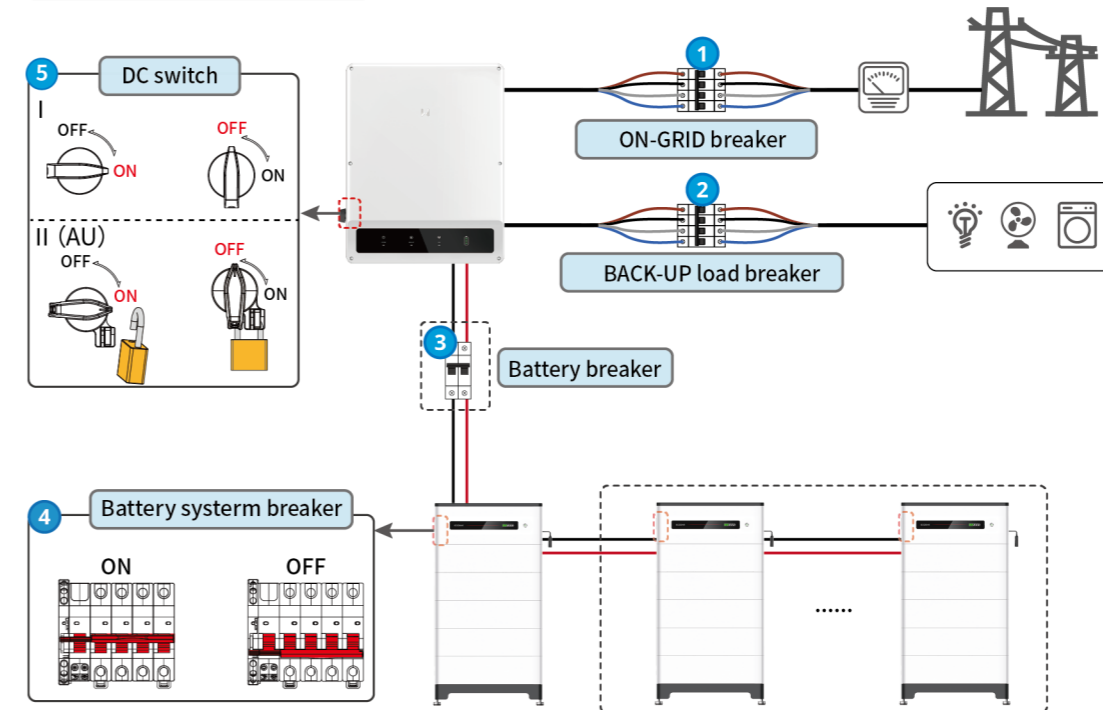


Device	Model	Description
Inverter	GW15K-ET GW20K-ET GW25K-ET GW29.9K-ET GW30K-ET	A maximum of 4 inverters can be connected in a parallel system. Inverter firmware requirements for parallel connections: <ul style="list-style-type: none"> • Consistent firmware version • ARM version: 08(401) or above • DSP version: 07(7068) or above
Battery system	Lynx Home F (G1) LX F6.6-H LX F9.8-H LX F13.1-H LX F16.4-H	Lynx Home F (G1 Plus+) LX F6.6-H LX F9.8-H LX F13.1-H LX F16.4-H <ul style="list-style-type: none"> • A maximum of 8 battery systems can be clustered in a system. • Do not mix connect battery systems of different versions.
Smart Meter	<ul style="list-style-type: none"> • GM3000 • GM330 	<ul style="list-style-type: none"> • GM3000: GM3000 and the CT, which cannot be replaced, are included in the inverter package. CT ratio: 120A/40mA. • CM330: order the CT for GM330 from GoodWe or other suppliers. CT ratio: nA/5A. <ul style="list-style-type: none"> • nA: CT primary input current, n ranges from 200 to 5000. • 5A: CT Secondary input current.

Device	Model	Description
Communication Module	<ul style="list-style-type: none"> • WiFi/LAN Kit-20 • Wi-Fi Kit • Ezlink3000 	<ul style="list-style-type: none"> • Use WiFi/LAN Kit-20 or Wi-Fi kit for a single inverter. Upgrade the firmware of the inverter before replacing the Wi-Fi kit with a WiFi/LAN Kit-20 dongle. • In parallel scenarios, the EzLink 3000 must be connected to the master inverter. Do not connect any communication module to the slave inverters. The firmware version of EzLink should be 04 or above.

02 Power On/Off

Single Inverter

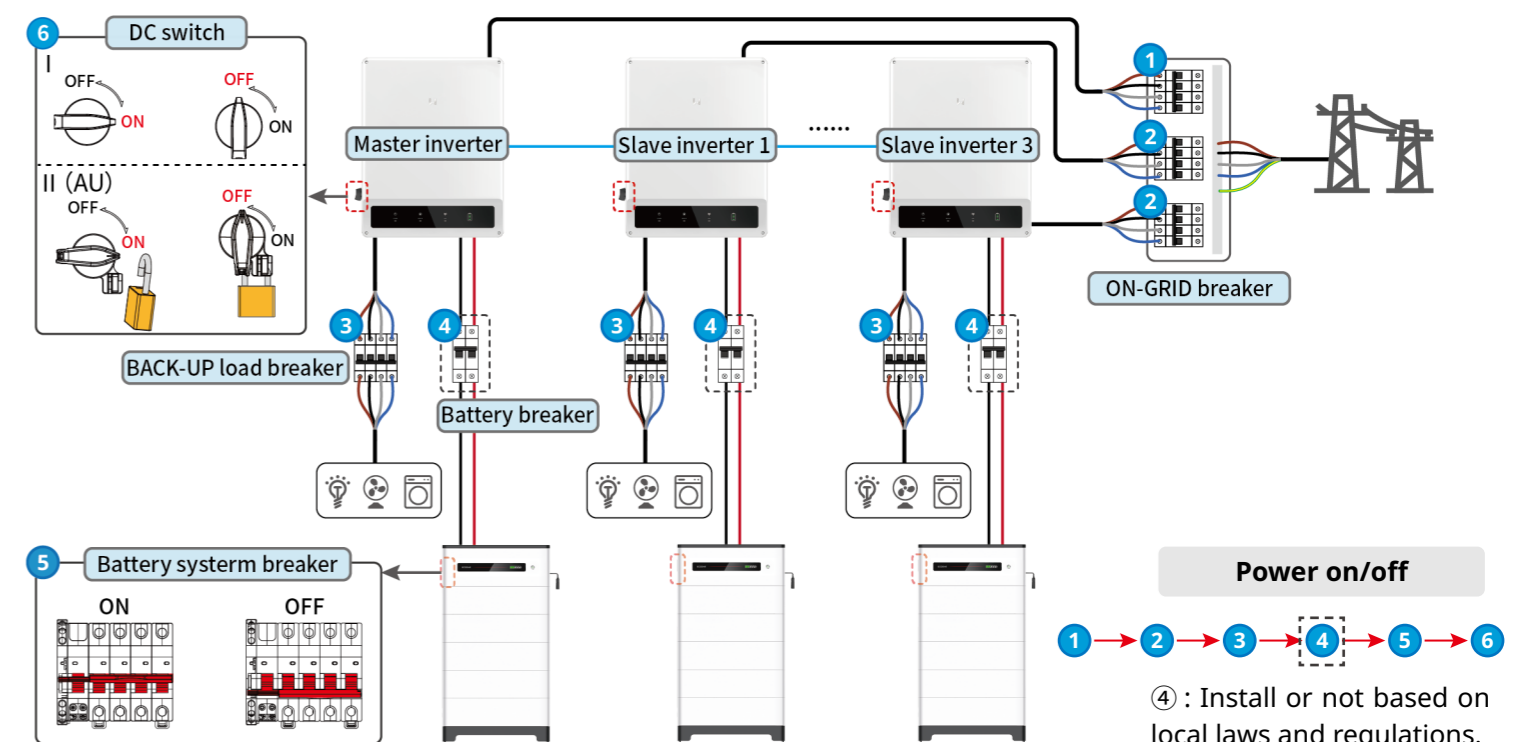


Power on/off



③ : Install or not based on local laws and regulations.

Parallel System



Power on/off



④ : Install or not based on local laws and regulations.

03 Installations

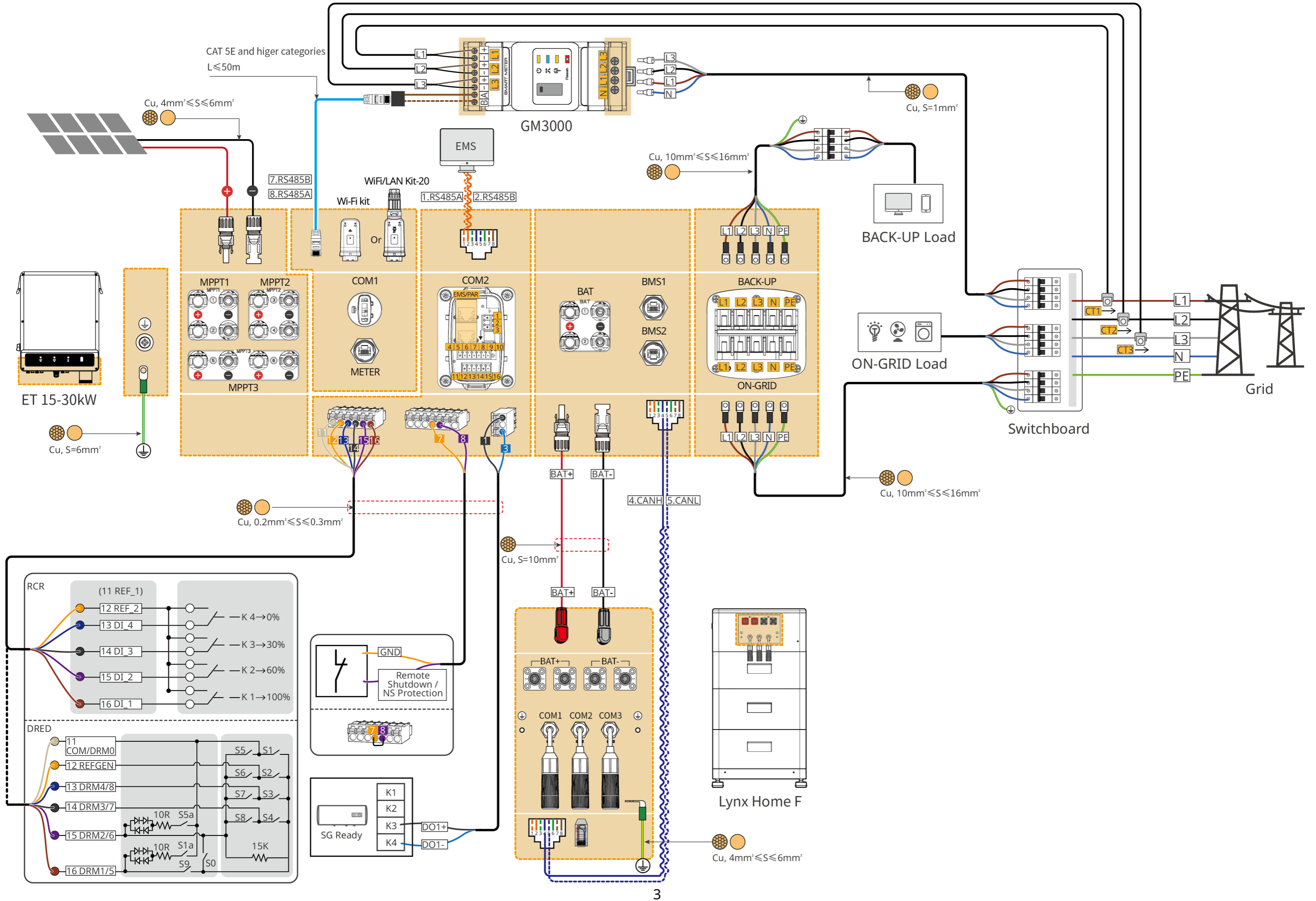
Steps	1 Installation	2 PE	3 PV	4 Battery	5 AC	6 COM	7 Communication module		
Inverter							Wi-Fi Kit	WiFi/LAN Kit-20	Ezlink3000
Tools	<p>1 D: 80mm φ: 8mm</p> <p>2 M5 1.2~2N·m</p>	M5 1.2~2N·m	<p>Recommend: PV-CZM-61100</p>	<p>Recommend: YQK-70</p>	<p>1 M5 2~3N·m</p> <p>2 M6 3~4N·m</p>				

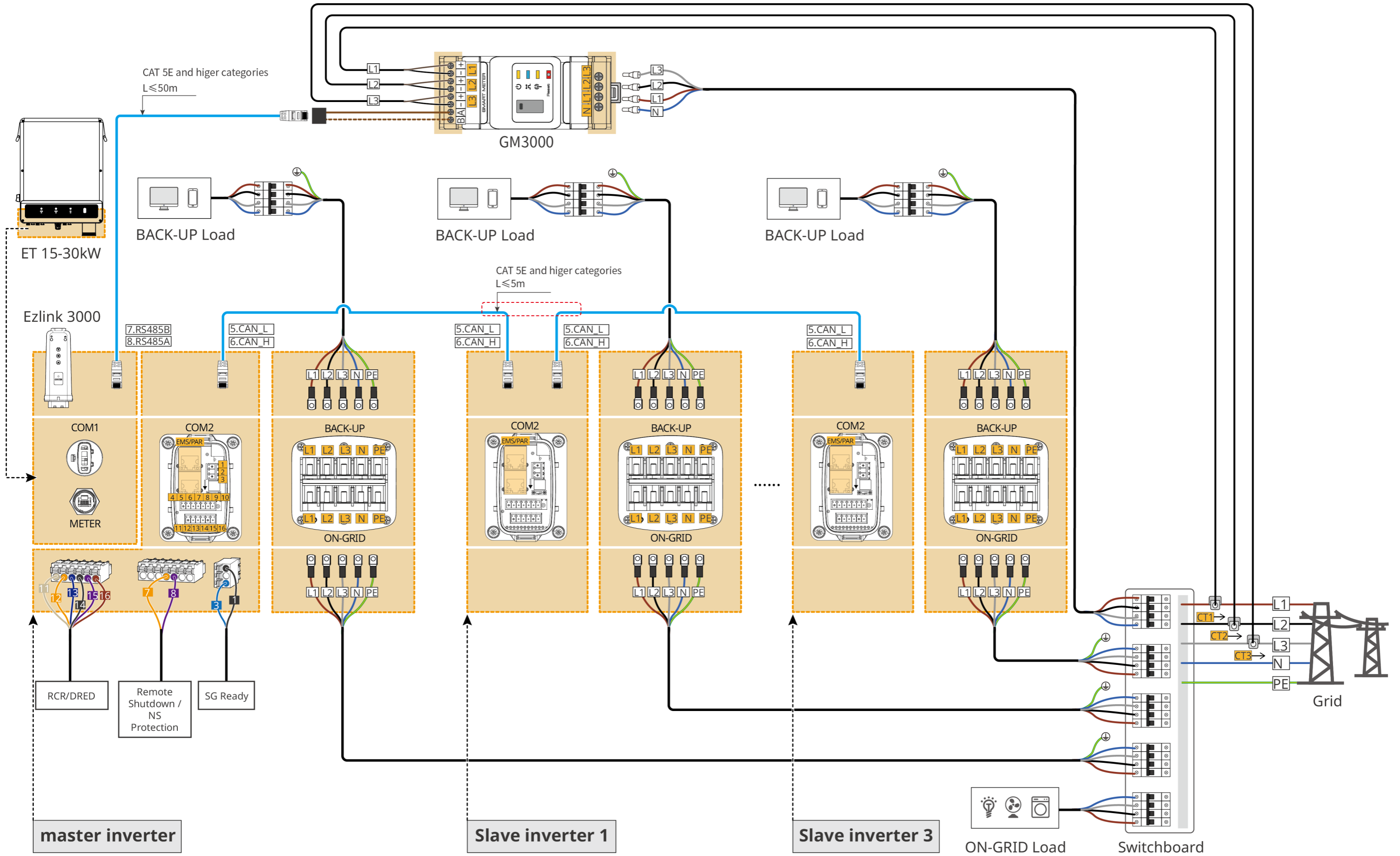
Steps	1 Installation		2 PE	3 Battery		4 COM
Battery	Lynx Home F (G1)	Lynx Home F (G1 Plus+)		Lynx Home F (G1)	Lynx Home F (G1 Plus+)	
Tools	<p>Ground</p> <p>1 M5 4N·m</p> <p>2 D: 80mm φ: 10mm</p> <p>3 ST5.5 10N·m</p>		M6 6~7N·m	<p>Recommend: YQK-70</p>	<p>Recommend: YQK-70</p>	

Steps	1 Installation		2 Cable Connections		3 Power	4 Commissioning	
Smart meter	GM3000	GM330	GM3000	GM330	AC breaker	 SolarGo APP	 SEMS Portal APP or SEMS Portal WEB

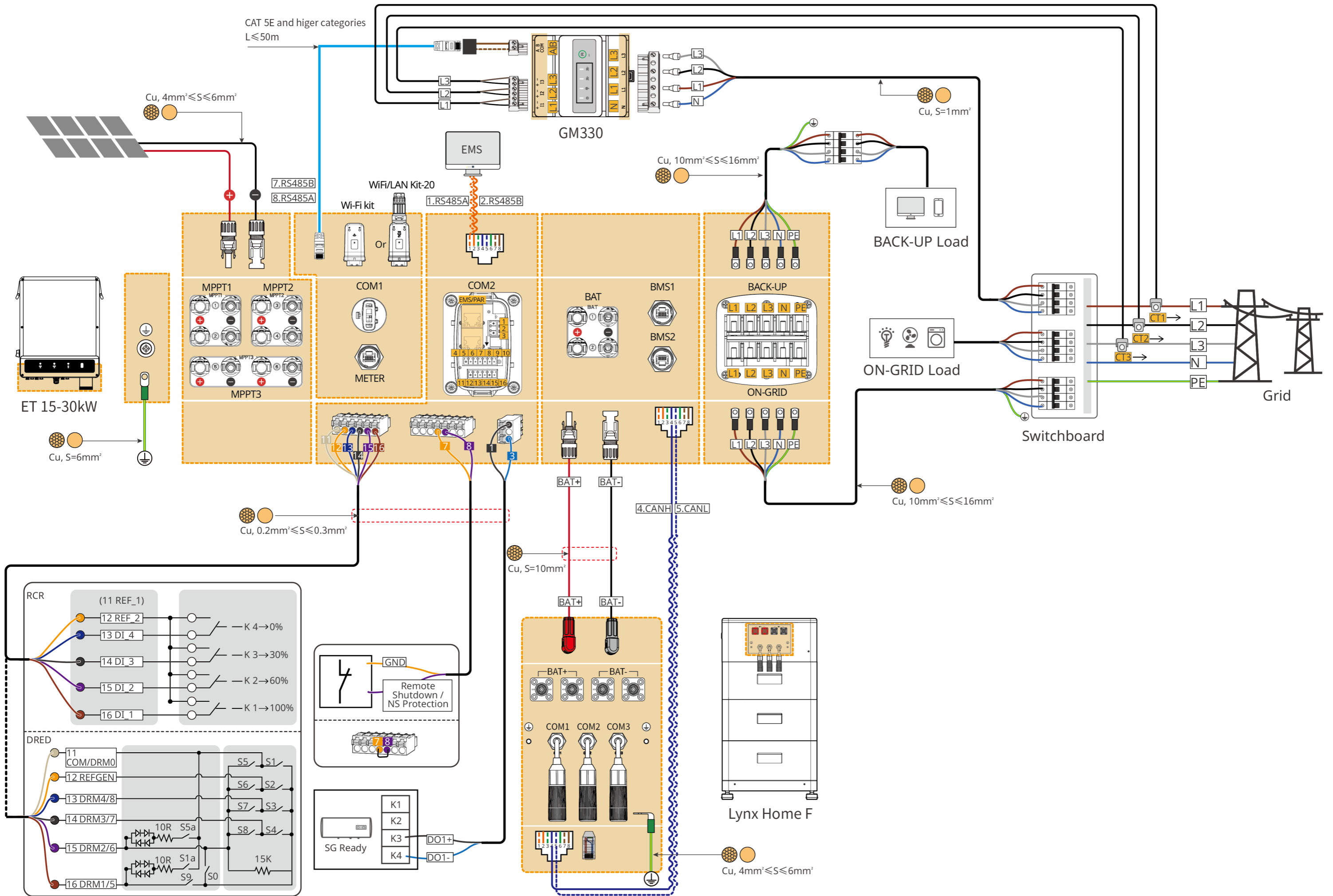
04 Wiring Diagram

ET 15-30kW (single) + Lynx Home F + GM3000 + WiFi/LAN

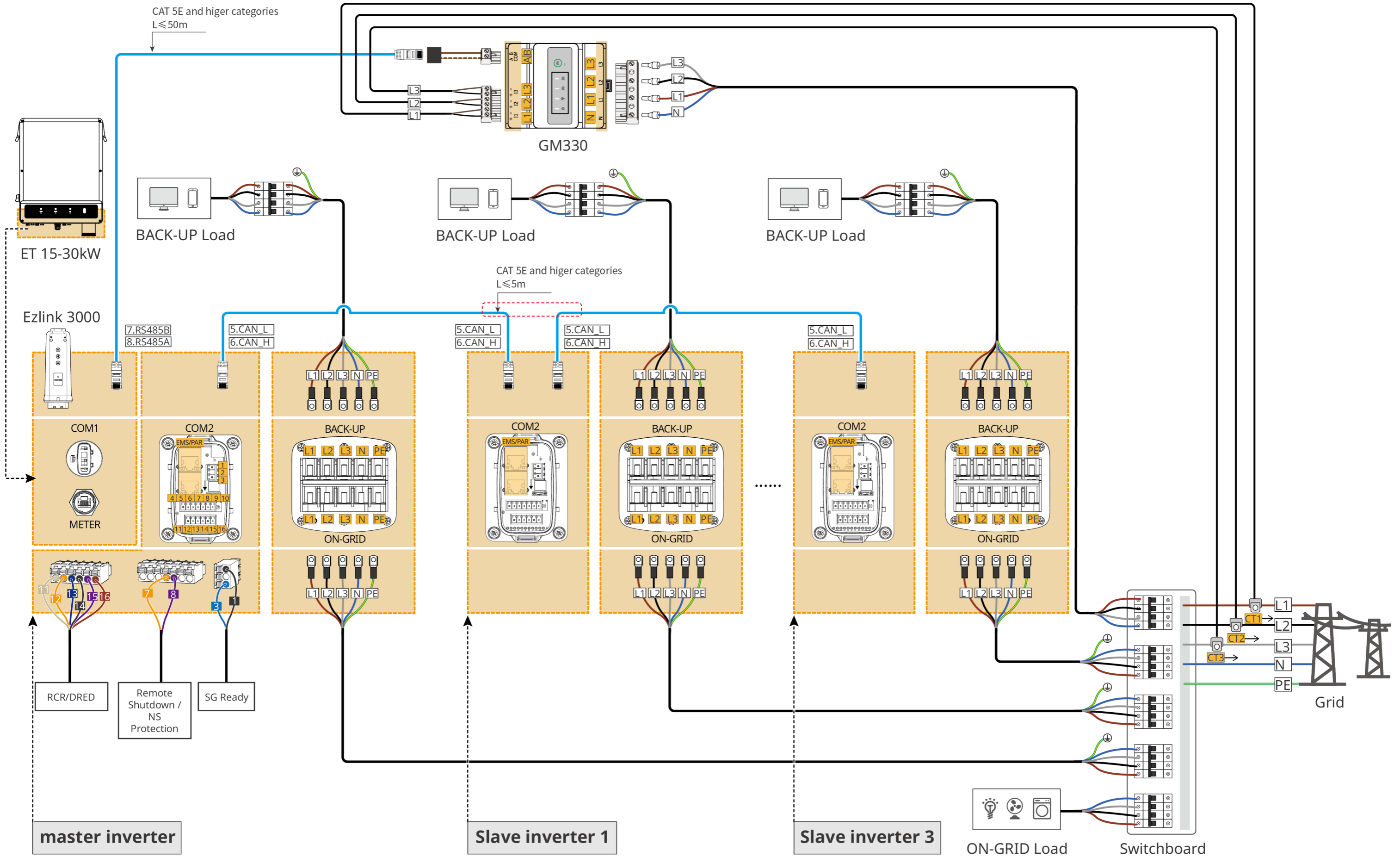




ET 15-30kW (single) + Lynx Home F + GM330 + WiFi/LAN

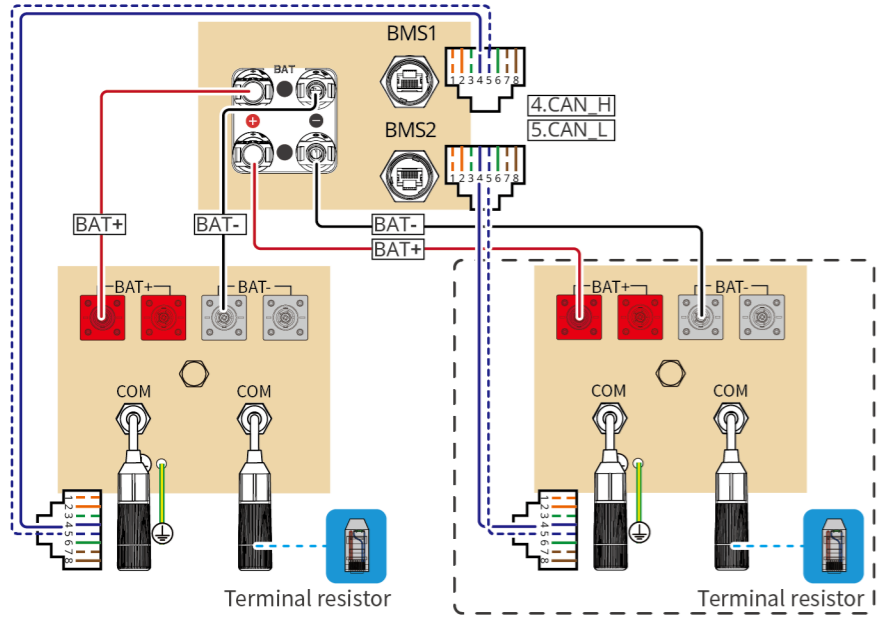


ET 15-30kW (parallel connected) + GM330 + Ezlink3000

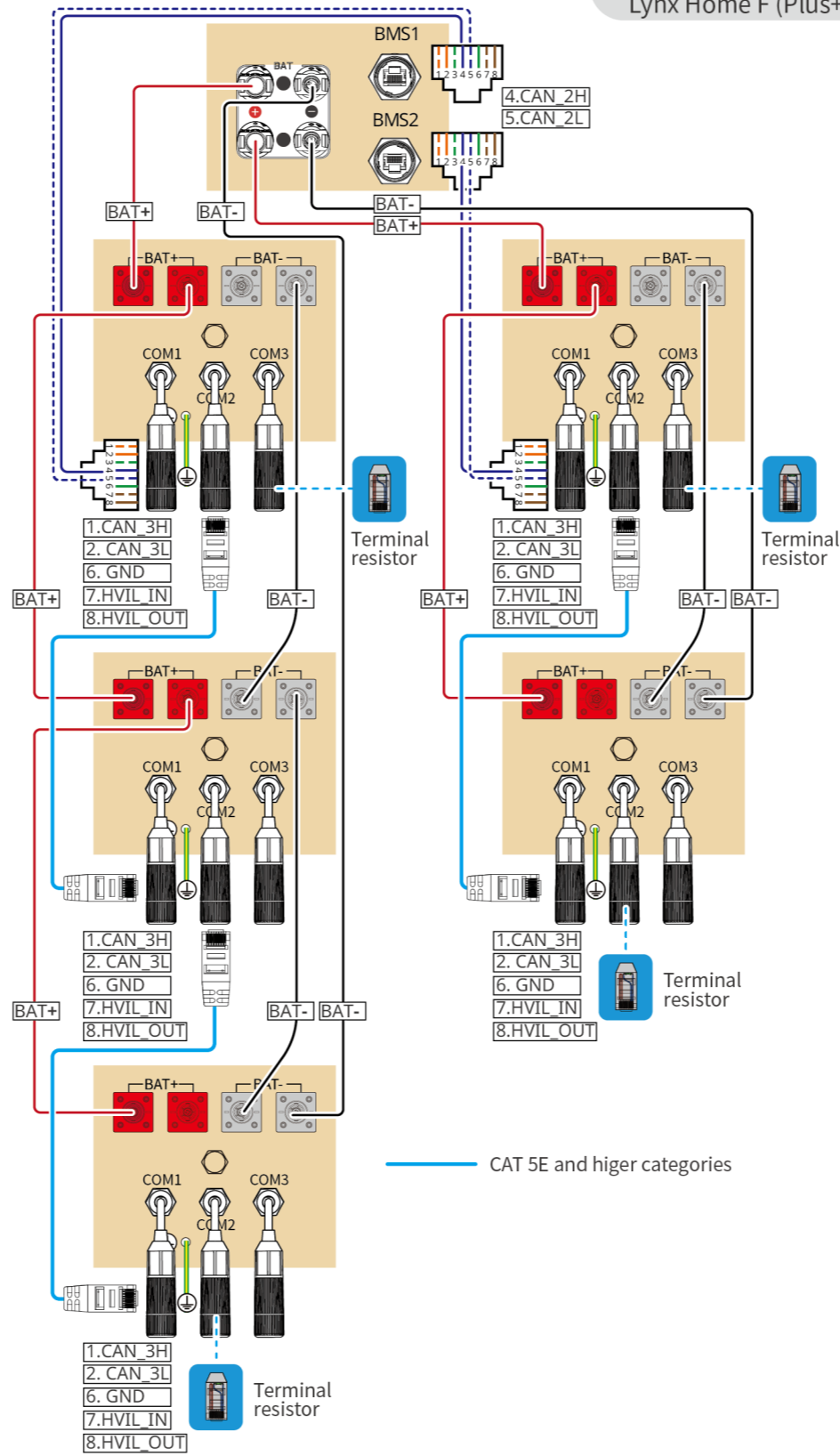


Battery System Wiring Diagram

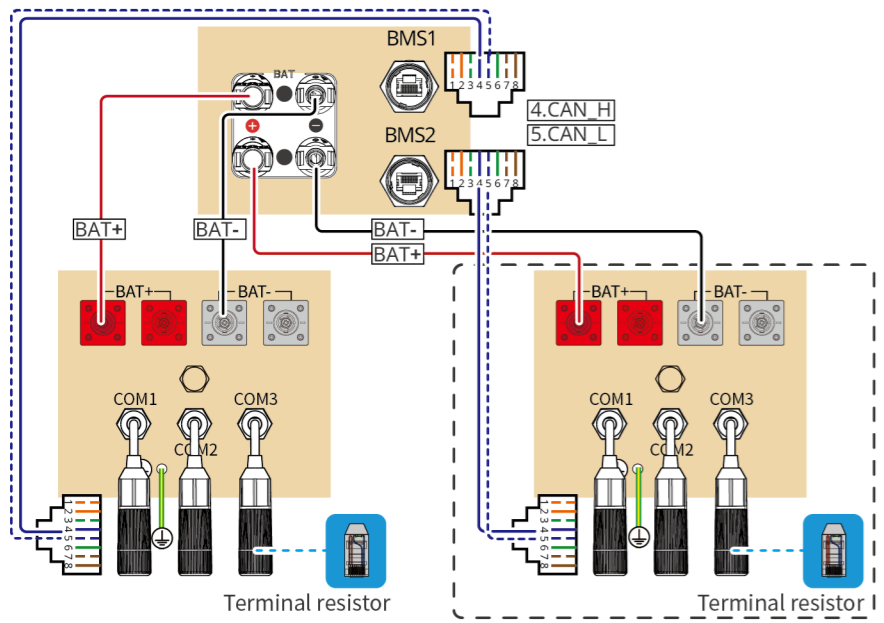
Lynx Home F (G1)



Lynx Home F (Plus+)

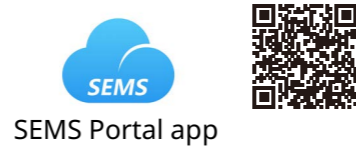


Lynx Home F (Plus+)



Battery System Quantity	Quantity Of Battery Systems Connected To BAT1	Quantity Of Battery Systems Connected To BAT2	Battery Quantity	Quantity Of Battery Systems Connected To BAT1	Quantity Of Battery Systems Connected To BAT2
1	1	0	2	1	1
3	2	1	4	2	2
5	3	2	6	3	3
7	4	3	8	4	4
N	(N+1)/2	(N-1)/2	M	M/2	M/2
15	8	7	16	8	8

05 Equipment Commissioning

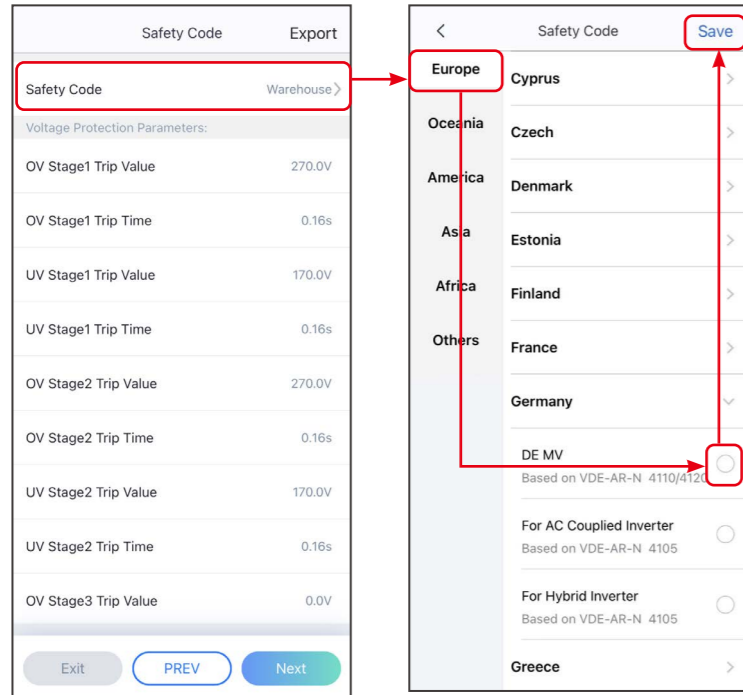


In parallel scenarios, the software version of SolarGo app should be 5.3.0 or above. Follow the prompts to connect the device.

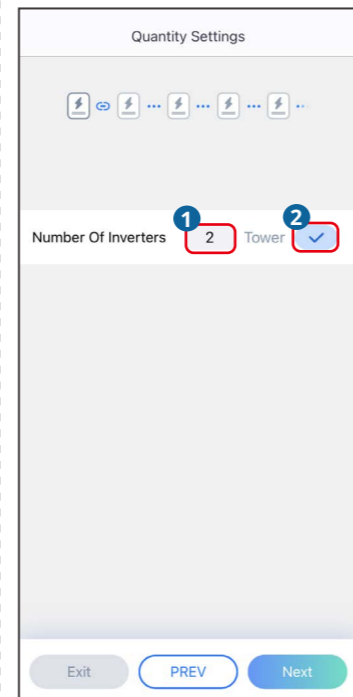
Quick Settings

Tap **Home > Settings > Quick Settings** to complete quick settings step by step. Installer password: goodwe2010

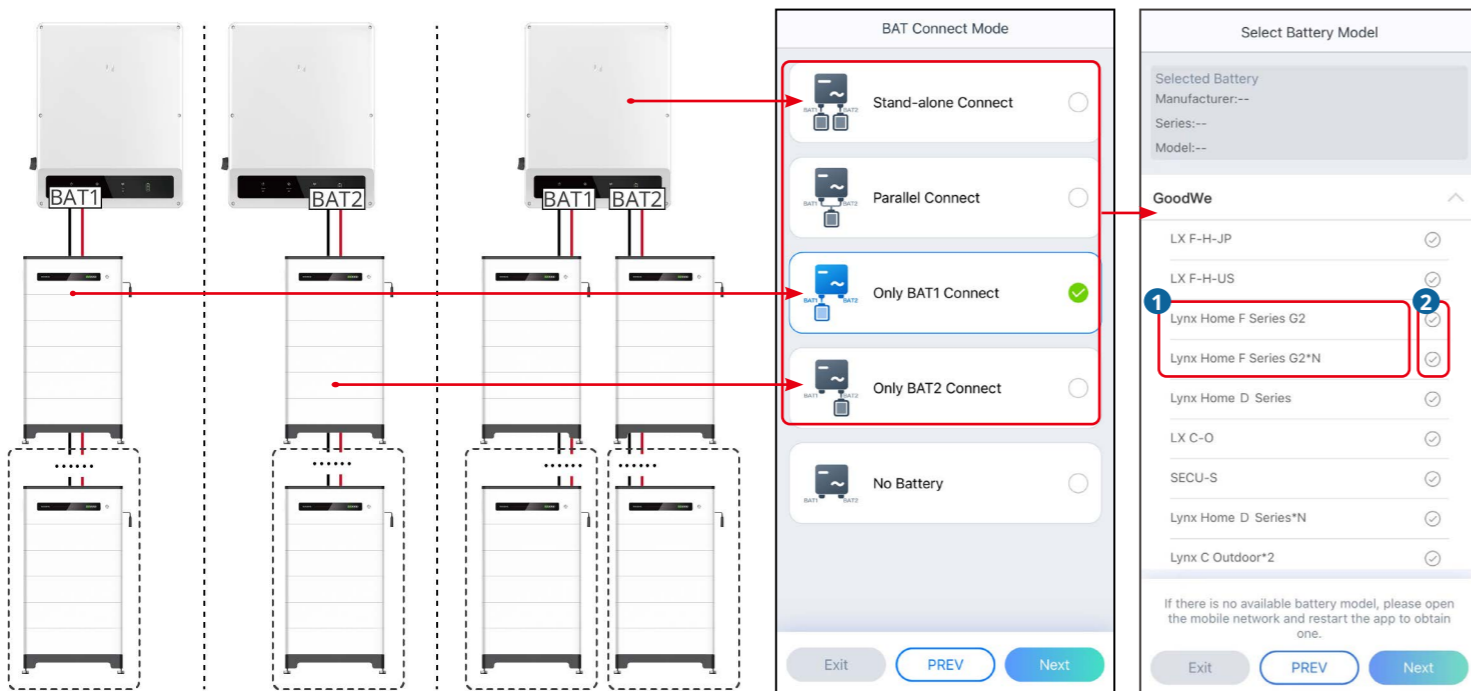
Setting the Safety Code



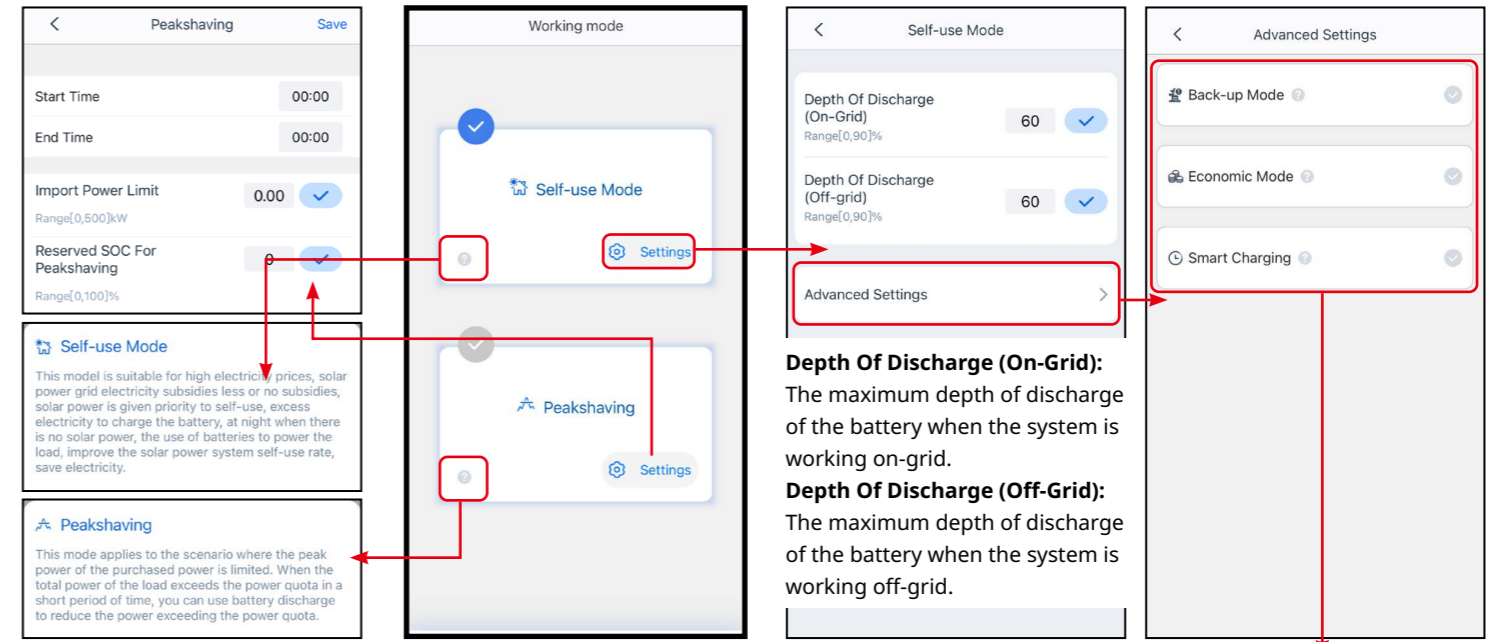
Setting Inverter Quantity (Only For Parallel Connections)



Setting the BAT Connect Mode

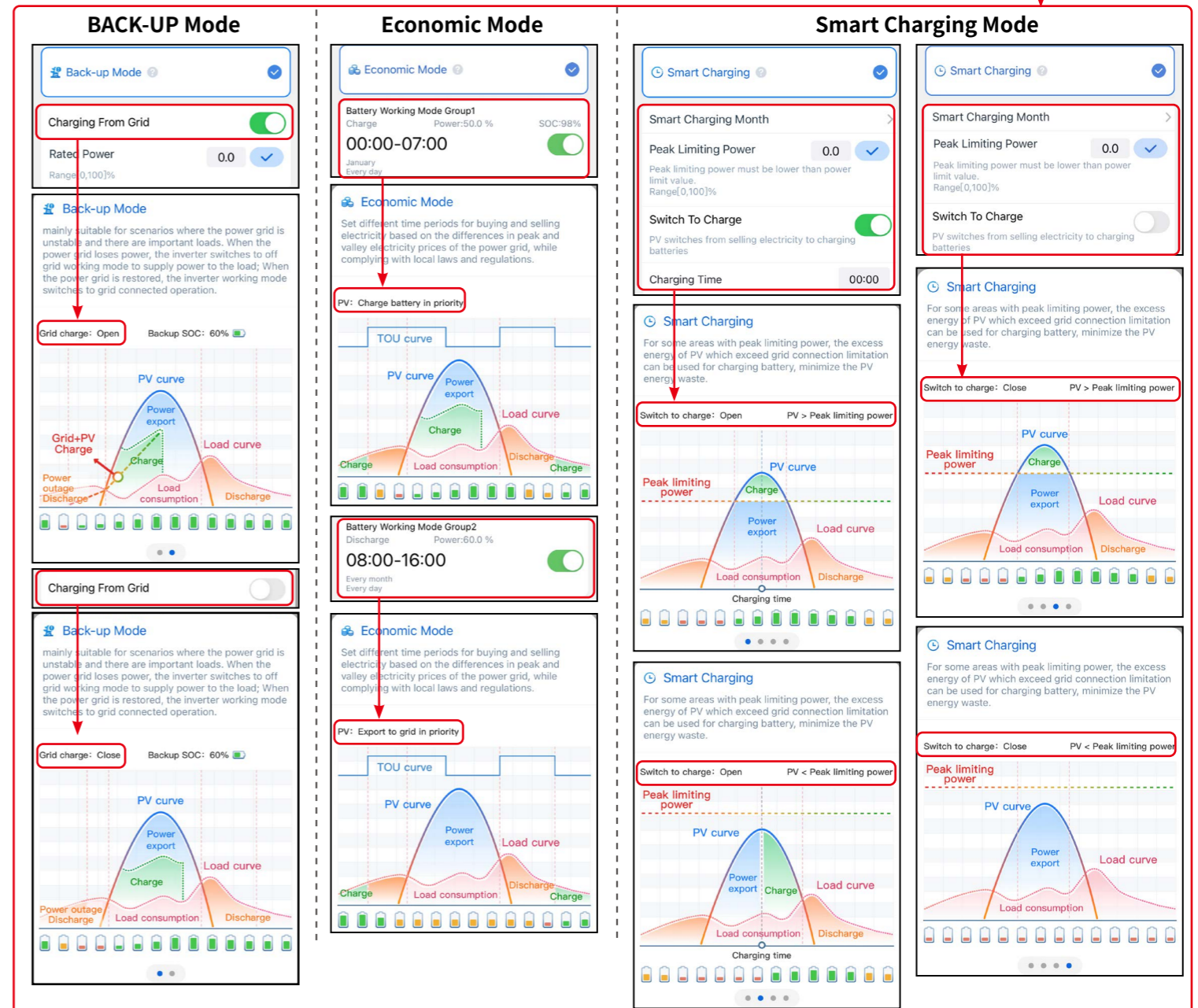


Setting the Working Mode



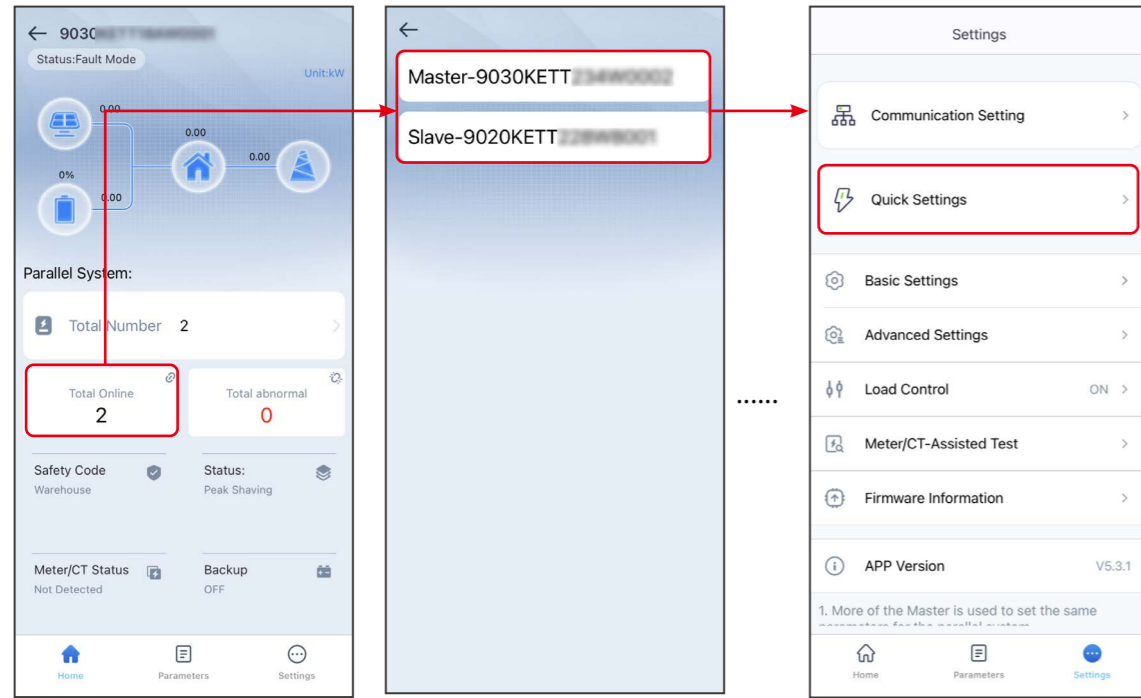
Depth Of Discharge (On-Grid): The maximum depth of discharge of the battery when the system is working on-grid.

Depth Of Discharge (Off-Grid): The maximum depth of discharge of the battery when the system is working off-grid.



Setting Batteries Of Each Inverters (Only For Parallel Connections)

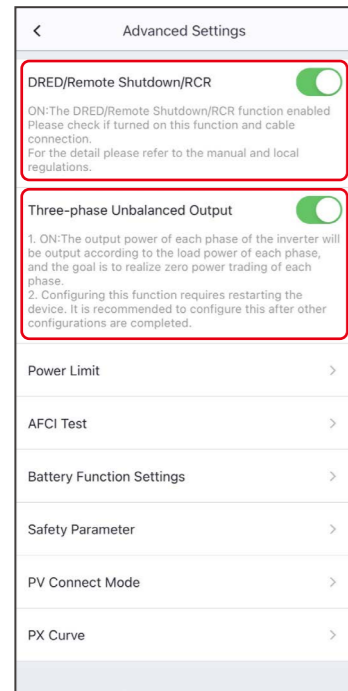
Follow the prompts to set the battery model and connection mode of each inverter.



Setting the Advanced Parameters

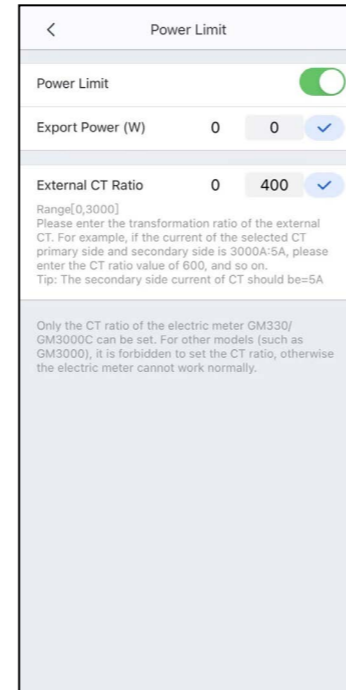
Tap Home > Settings > Advanced Settings to set the following functions.

Setting DRED/Remote Shutdown/RCR or Three-phase Unbalanced Output Function (Optional)



Enable **Three-phase Unbalanced Output** when the utility grid company adopts phase separate billing.

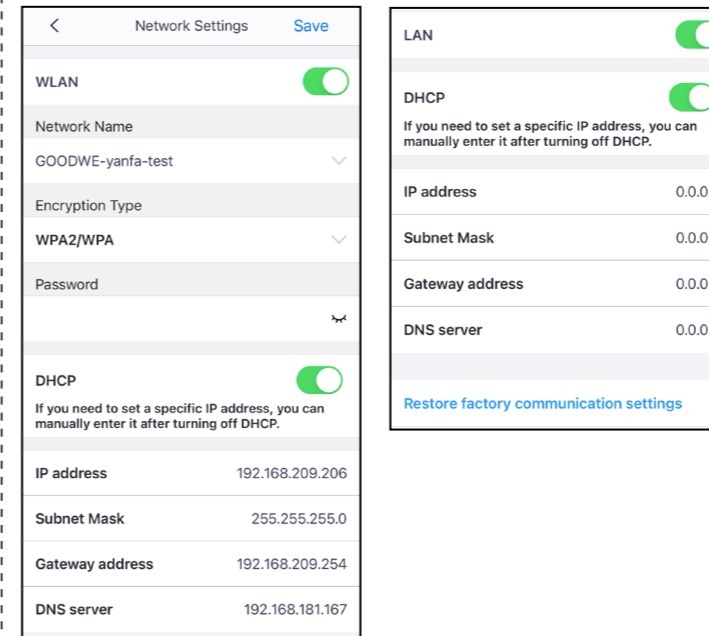
Setting the Power Limit Function



Configuring the Network

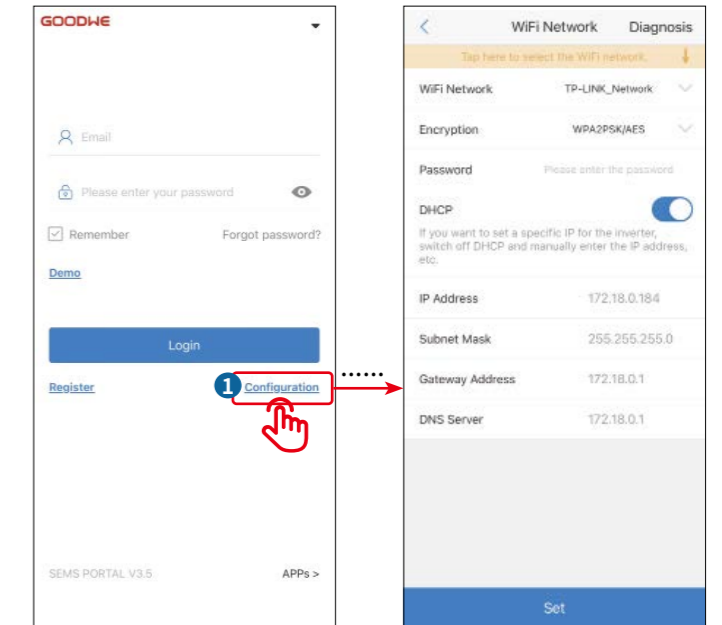
Method I (RECOMMENDED): SolarGo app

Tap Home > Settings > Communication Setting > Network Settings to set network parameters.



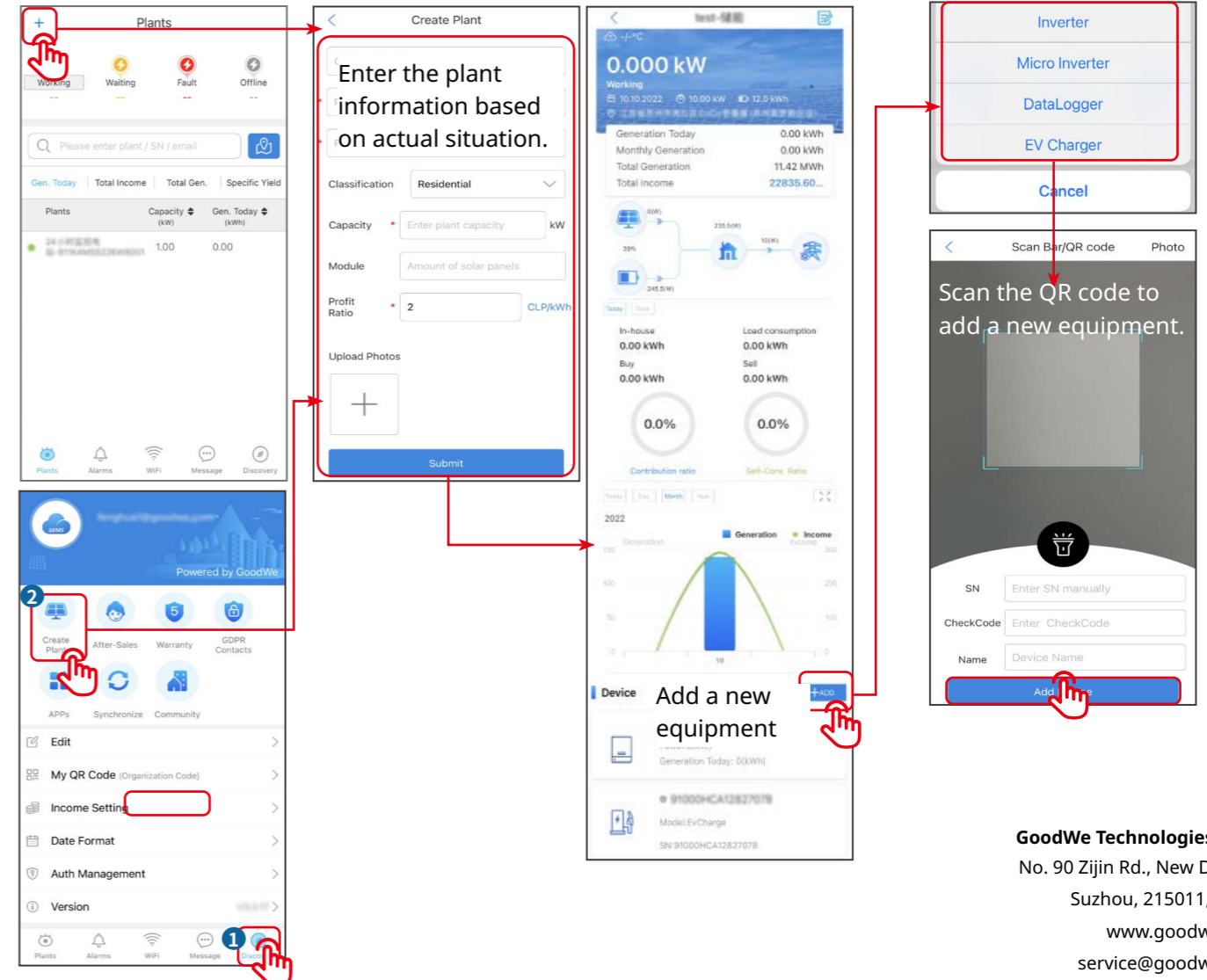
Method II: SEMS Portal app

Follow the prompts to configure the network.



Creating a Power Plant

Create power plants and add equipments via SEMS Portal app.



GoodWe Technologies Co., Ltd.
 No. 90 Zijin Rd., New District,
 Suzhou, 215011, China
www.goodwe.com
service@goodwe.com