

Technische Daten/ Technical Data

KLUDI LOGO SHOWER DUO

thermostatic shower mixer
shower set 1 S
with wall rail 900mm
DN 15

Ref.: 6857805-00

Finishes:
05 chrome

Product description
Manufacturer KLUDI GmbH & Co. KG
Typ: KLUDI LOGO
thermostatic shower mixer
with shower set 1 S
with wall rail 900mm
Ref.: 6857805-00

thermostatic shower mixer
wall mounted
temperature handle with hot water safety at 40°C
protected against back flow
shower outlet G1/2
ceramic headparts 180°
S-unions G1/2 x G3/4

hand shower 1 S
1 spray pattern
volume
with cleaning system
connection G1/2
sieve seal

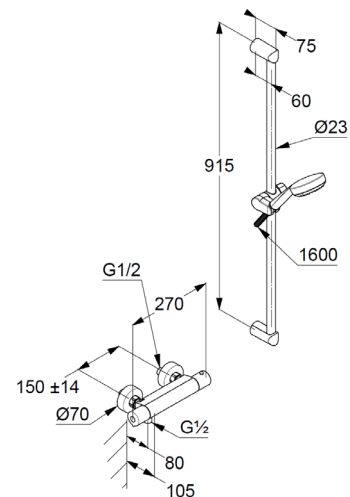
shower hose
plastic coated
with metal-effect
with conical nuts
G1/2 x G1/2 x 1600mm

wall rail 900mm
height-adjustable hand shower hook
with fixing material
for rigid wall mounted

Produktabbildung/ Product picture



Maßzeichnung/ Dimensional drawing



Durchfluss/ Flow rate

