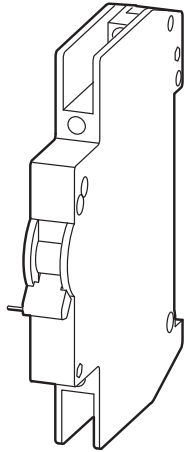
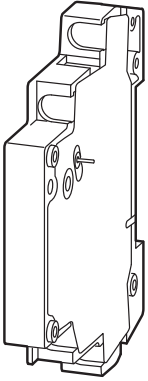




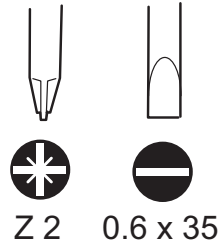
FIP-XHI11
FIP-XAM002

FIP-XHI11

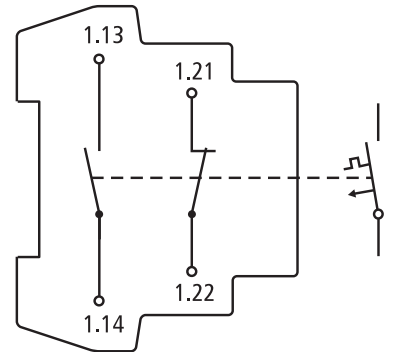
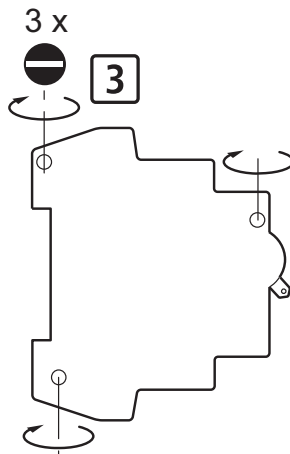
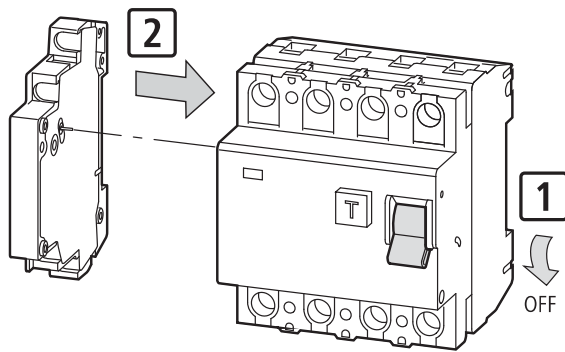
FIP-XAM002



	1 x 0.5 - 2.5 mm ²	0.8 Nm
	1 x 0.5 - 2.5 mm ²	
DIN 46 228		



FI(P)(S)+FIP-XHI11



FI(P)(S)+FIP-XAM002

