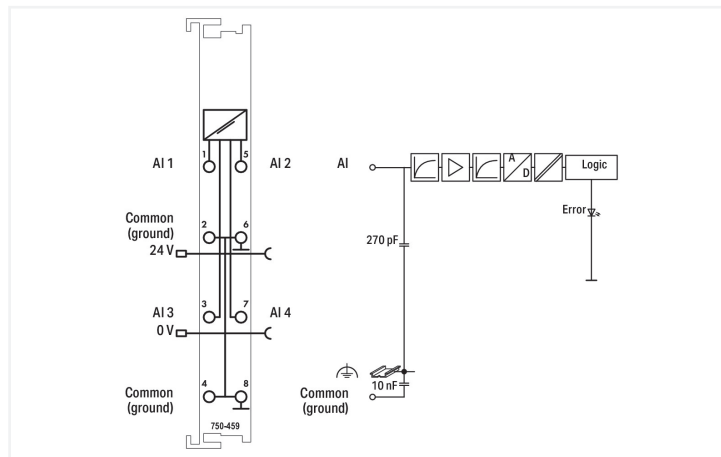
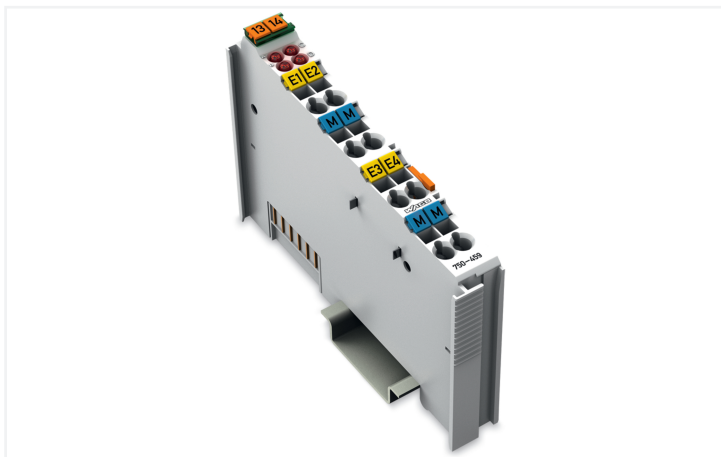
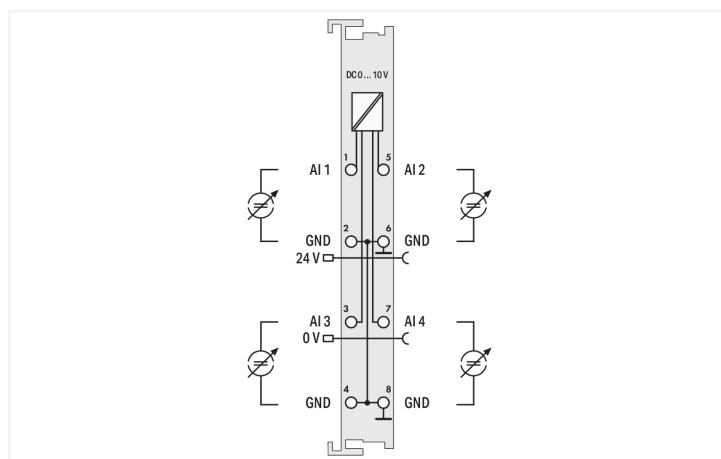
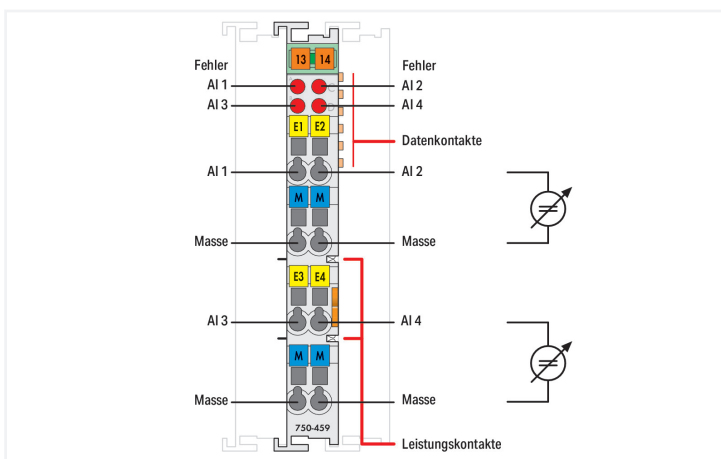


**Data Sheet | Item Number: 750-459**  
**4-channel analog input; 0 ... 10 VDC; Single-ended**

<https://www.wago.com/750-459>



Color: ■ light gray



This analog input module processes standard 0–10 V signals.  
 The input signal is electrically isolated and is transmitted with a resolution of 12 bits.  
 The internal system supply powers the module.  
 The input channels of the module have a common ground potential.

**Technical data**

|  |  |
|--|--|
| Number of analog inputs  | 4  |
| Total number of channels (module)                              | 4  |
| Signal type  | Voltage  |
| Signal type (voltage)  | 0 ... 10 VDC   |
| Sensor connection  | 4 x (2-wire)   |
| Input voltage (max.)   | ±40 V  |
| Signal characteristics   | Single-ended   |
| Resolution [bit]   | 12 bits  |
| Data width   | 4 x 16-bit data; 4 x 8-bit control/status (optional) |
| Internal resistance  | 100 kΩ   |
| Conversion time (typ.)   | 10 ms  |
| Measurement error (reference temperature)                      | 25 °C  |
| Measurement error, deviation (max.) from the upper-range value | 0.1 %  |
| Temperature error (max.) of the upper-range value              | 0.01 %/K   |

### Technical data

|  |  |
|--|--|
| Supply voltage (system)                  | 5 VDC; via data contacts   |
| Current consumption (5 V system supply)  | 65 mA  |
| Supply voltage (field)                   | 24 VDC (-25 ... +30 %); via power jumper contacts (power supply via blade contact; transmission (field side supply voltage only) via spring contact) |
| Isolation                                | 500 V system/field   |
| Indicators                               | LED (A-D) red: Error AI 1 ... AI 4   |
| Number of incoming power jumper contacts | 2  |
| Number of outgoing power jumper contacts | 2  |

### Connection Data

|                                 |  |
|---------------------------------|--|
| Connection technology: I/O      | 8 x CAGE CLAMP®                              |
| Connectable conductor materials | Copper                                       |
| Connection type                 | Inputs/outputs                               |
| Solid conductor                 | 0.08 ... 2.5 mm <sup>2</sup> / 28 ... 14 AWG |
| Fine-stranded conductor         | 0.08 ... 2.5 mm <sup>2</sup> / 28 ... 14 AWG |
| Strip length                    | 8 ... 9 mm / 0.31 ... 0.35 inches            |

### Physical data

|                                   |                        |
|-----------------------------------|------------------------|
| Width                             | 12 mm / 0.472 inches   |
| Height                            | 100 mm / 3.937 inches  |
| Depth                             | 69.8 mm / 2.748 inches |
| Depth from upper-edge of DIN-rail | 62.6 mm / 2.465 inches |

### Mechanical data

|                     |             |
|---------------------|-------------|
| Mounting type       | DIN-35 rail |
| Pluggable connector | fixed       |

### Material data

|                    |                              |
|--------------------|------------------------------|
| Color              | light gray                   |
| Housing material   | Polycarbonate; polyamide 6.6 |
| Fire load          | 1.261 MJ                     |
| Weight             | 50.8 g                       |
| Conformity marking | CE                           |

### Environmental requirements

|  |  |
|--|--|
| Ambient temperature (operation)  | 0 ... +55 °C   |
| Ambient temperature (storage)  | -40 ... +85 °C   |
| Protection type  | IP20   |
| Pollution degree   | 2 per IEC 61131-2  |
| Operating altitude   | 0 ... 2000 m / 0 ... 6562 ft   |
| Mounting position  | Horizontal left, horizontal right, horizontal top, horizontal bottom, vertical top and vertical bottom |
| Relative humidity (without condensation)   | 95 %   |
| Vibration resistance   | 4g per IEC 60068-2-6   |
| Shock resistance   | 15g per IEC 60068-2-27   |
| EMC immunity to interference   | per EN 61000-6-2, marine applications  |
| EMC emission of interference   | per EN 61000-6-4, marine applications  |
| Exposure to pollutants   | per IEC 60068-2-42 and IEC 60068-2-43  |
| Permissible H <sub>2</sub> S contaminant concentration at a relative humidity 75 % | 10 ppm   |
| Permissible SO <sub>2</sub> contaminant concentration at a relative humidity 75 %  | 25 ppm   |

**Commercial data**

|                       |                 |
|-----------------------|-----------------|
| Product Group         | 15 (I/O System) |
| PU (SPU)              | 1 pcs           |
| Packaging type        | Box             |
| Country of origin     | DE              |
| GTIN                  | 4045454471507   |
| Customs tariff number | 85389099990     |



**Product Classification**

|             |                      |
|-------------|----------------------|
| UNSPSC      | 32101505             |
| eCl@ss 10.0 | 27-24-26-01          |
| eCl@ss 9.0  | 27-24-26-01          |
| ETIM 9.0    | EC001596             |
| ETIM 10.0   | EC001596             |
| ECCN        | NO US CLASSIFICATION |

**Environmental Product Compliance**

|   |   |
|---|---|
| CAS-No.                                   | 1303-86-2<br>1317-36-8<br>7439-92-1       |
| REACH Candidate List Substance            | Diboron trioxide<br>Lead<br>Lead monoxide |
| RoHS Compliance Status                    | Compliant,With Exemption                  |
| RoHS Exemption                            | 6(c)<br>7(a)<br>7(c)-I<br>7(c)-II         |
| SCIP notification number (Austria)        | adfe4707-0107-4983-bbc9-28ab5d13e18b      |
| SCIP notification number (Belgium)        | 11c8e0b7-24a5-4749-a453-08727d634444      |
| SCIP notification number (Bulgaria)       | fc6837a0-866f-43ac-810c-840777f19ae4      |
| SCIP notification number (Czech Republic) | e17af7b8-e3b3-49e2-8aee-fc79edfa2a25      |
| SCIP notification number (Denmark)        | a22bd038-07ec-417a-b6e3-9f8c661889eb      |
| SCIP notification number (Finland)        | 9eca2b0c-8482-480d-921c-cd410cdef293      |
| SCIP notification number (France)         | 8ccc1fcd-baec-426d-92dd-887388d15578      |
| SCIP notification number (Germany)        | a938dcef-87ea-463d-b8e8-9ac50285cc17      |
| SCIP notification number (Hungary)        | eba7dc1b-e207-4669-a757-8e077d0aa315      |
| SCIP notification number (Italy)          | e3389f06-9ed2-4966-a095-50f13099db5e      |
| SCIP notification number (Netherlands)    | 50d831c2-d787-4637-bffd-76c302fb2a81      |
| SCIP notification number (Poland)         | 7aba1503-157a-4041-ac2b-4e6927f8385d      |
| SCIP notification number (Romania)        | 85034795-5f2f-433f-80ad-38506e2cfefe      |
| SCIP notification number (Sweden)         | 1b9d1f8f-ebd6-4ad4-8d2a-fa8f2125796a      |

**Approvals / Certificates**

| General approvals  |                        |                     | General approvals                                   |        |         |
|--|------------------------|---------------------|---|--------|---------|
|   |                        |                     | UL  | UL 508 | E175199 |
|  |                        |                     | Underwriters Laboratories Inc. (ORDINARY LOCATIONS) |        |         |
| Approval   | Standard               | Certificate Name    |   |        |         |
| EAC<br>GZO Almaty Standart   | TP TC 020/2011         | EAC CoC 03083       |   |        |         |
| KC<br>National Radio Research Agency   | Article 58-2, Clause 3 | MSIP-REM-W43-AIM750 |   |        |         |

Declarations of conformity and manufacturer's declarations

| Approval   | Standard | Certificate Name |
|--|----------|------------------|
| EU-Declaration of Conformity<br>WAGO GmbH & Co. KG | -        | -                |
| UK-Declaration of Conformity<br>WAGO GmbH & Co. KG | -        | -                |

Approvals for marine applications



| Approval  | Standard              | Certificate Name  |
|---|-----------------------|-------------------|
| ABS<br>American Bureau of Shipping                    | -                     | 22-2219060        |
| BSH<br>Bundesamt fuer Seeschifffahrt und Hydrographie | -                     | 1104              |
| BV<br>Bureau Veritas S.A.                             | -                     | 13453/E0 BV       |
| DNV<br>DNV GL SE                                      | DNV-CG-0339, Aug.2021 | TAA0000194        |
| KR<br>Korean Register of Shipping                     | -                     | KR HMB05880-AC001 |
| LR<br>Lloyds Register EMEA                            | -                     | LR22180952TA      |
| PRS<br>Polski Rejestr Statków                         | -                     | TE/1101/880590/23 |
| RINA<br>RINA Germany GmbH                             | -                     | ELE343521XG001    |

Approvals for hazardous areas



| Approval   | Standard    | Certificate Name                           |
|--|-------------|--|
| ATEX<br>TUEV Nord Cert GmbH                                | EN 60079-0  | TUEV14ATEX148929X (II 3 G Ex ec IIC T4 Gc) |
| CCCEX<br>CQST/CNEX   | CNCA-C23-01 | 2020312310000213 (Ex ec IIC T4 Gc)         |
| IECEX<br>TUEV Nord Cert GmbH                               | IEC 60079-0 | IECEX TUN 14.0035 X (Ex ec IIC T4 Gc)      |
| INMETRO<br>TÜV Rheinland do Brasil Ltda.                   | IEC 60079-0 | TÜV 12.1297 X                              |
| UKEX<br>WAGO GmbH & Co. KG                                 | EN 60079-0  | UKCA_WA GO22UKEX003X_ec                    |
| UL<br>Underwriters Laboratories Inc. (HAZARDOUS LOCATIONS) | UL 121201   | E198726                                    |

## Downloads

### Environmental Product Compliance

#### Compliance Search

Environmental Product Compliance 750-459



## Documentation

### Manual

Product Manual 4-channel, 0-10VDC, single-ended | 2457995147 | 3 | en-US | 2025-06-03 16:17 | 30.10.2025 | pdf | 726.56 KB |

System Manual Series 750/753 |

### System Description

750/753 Series I/O-System – General Product Information | pdf | 953.35 KB |

Overview on WAGO-I/O-SYSTEM 750 approvals | pdf | 770.48 KB |

### Bid Text

750-459 | 19.02.2019 | xml | 4.16 KB |

750-459 | 19.10.2017 | doc | 27.00 KB |

ausschreiben.de 750-459 |

### Instruction Leaflet

CCC Ex (Additional information) | 26.04.2023 | pdf | 159.76 KB |

## CAD/CAE-Data

### CAD data

2D/3D Models 750-459 |

### CAE data

EPLAN Data Portal 750-459 |

WSCAD Universe 750-459 |

ZUKEN Portal 750-459 |

## Device Files

### Device Driver

WAGO USB Service Kabel Treiber / Serie 750 und 857 | 6.5.3.0 | 10.09.2014 | zip | 4721.96 KB |

**1 Compatible Products**

**1.1 Optional Accessories**

**1.1.1 DIN-rail**

**1.1.1.1 Mounting accessories**



**Item No.: 210-196**  
Aluminum carrier rail; 35 x 8.2 mm; 1.6 mm thick; 2 m long; unslotted; similar to EN 60715; silver-colored



**Item No.: 210-198**  
Copper carrier rail; 35 x 15 mm; 2.3 mm thick; 2 m long; unslotted; according to EN 60715; copper-colored



**Item No.: 210-197**  
Steel carrier rail; 35 x 15 mm; 1.5 mm thick; 2 m long; slotted; similar to EN 60715; silver-colored



**Item No.: 210-114**  
Steel carrier rail; 35 x 15 mm; 1.5 mm thick; 2 m long; unslotted; similar to EN 60715; silver-colored



**Item No.: 210-118**  
Steel carrier rail; 35 x 15 mm; 2.3 mm thick; 2 m long; unslotted; according to EN 60715; silver-colored



**Item No.: 210-112**  
Steel carrier rail; 35 x 7.5 mm; 1 mm thick; 2 m long; slotted; according to EN 60715; "Hole width 25 mm; silver-colored



**Item No.: 210-113**  
Steel carrier rail; 35 x 7.5 mm; 1 mm thick; 2 m long; unslotted; according to EN 60715; silver-colored

**1.1.2 Marking**

**1.1.2.1 Group marker carrier**



**Item No.: 750-106**  
Group marker carrier

**1.1.2.2 Marker**



**Item No.: 750-100**  
Marker card; as a DIN A4 sheet; plain



**Item No.: 2009-145/000-006**  
Mini-WSB Inline; for Smart Printer; 1700 pieces on roll; stretchable 5 - 5.2 mm; plain; snap-on type; blue



**Item No.: 2009-145/000-007**  
Mini-WSB Inline; for Smart Printer; 1700 pieces on roll; stretchable 5 - 5.2 mm; plain; snap-on type; gray



**Item No.: 2009-145/000-023**  
Mini-WSB Inline; for Smart Printer; 1700 pieces on roll; stretchable 5 - 5.2 mm; plain; snap-on type; green



**Item No.: 2009-145/000-012**  
Mini-WSB Inline; for Smart Printer; 1700 pieces on roll; stretchable 5 - 5.2 mm; plain; snap-on type; orange



**Item No.: 2009-145/000-005**  
Mini-WSB Inline; for Smart Printer; 1700 pieces on roll; stretchable 5 - 5.2 mm; plain; snap-on type; red



**Item No.: 2009-145/000-024**  
Mini-WSB Inline; for Smart Printer; 1700 pieces on roll; stretchable 5 - 5.2 mm; plain; snap-on type; violet



**Item No.: 2009-145**  
Mini-WSB Inline; for Smart Printer; 1700 pieces on roll; stretchable 5 - 5.2 mm; plain; snap-on type; white



**Item No.: 2009-145/000-002**  
Mini-WSB Inline; for Smart Printer; 1700 pieces on roll; stretchable 5 - 5.2 mm; plain; snap-on type; yellow



**Item No.: 248-501/000-006**  
Mini-WSB marking card; as card; not stretchable; plain; snap-on type; blue



**Item No.: 248-501/000-007**  
Mini-WSB marking card; as card; not stretchable; plain; snap-on type; gray



**Item No.: 248-501/000-023**  
Mini-WSB marking card; as card; not stretchable; plain; snap-on type; green



**Item No.: 248-501/000-017**  
Mini-WSB marking card; as card; not stretchable; plain; snap-on type; light green



**Item No.: 248-501/000-012**  
Mini-WSB marking card; as card; not stretchable; plain; snap-on type; orange



**Item No.: 248-501/000-005**  
Mini-WSB marking card; as card; not stretchable; plain; snap-on type; red



**Item No.: 248-501/000-024**  
Mini-WSB marking card; as card; not stretchable; plain; snap-on type; violet



**Item No.: 248-501**  
Mini-WSB marking card; as card; not stretchable; plain; snap-on type; white



**Item No.: 248-501/000-002**  
Mini-WSB marking card; as card; not stretchable; plain; snap-on type; yellow

### 1.1.2.3 Marker carrier



**Item No.: 750-103**  
Group marker carrier

### 1.1.3 Shield termination

#### 1.1.3.1 Shield clamping saddles



**Item No.: 790-108**  
Shield clamping saddle; 11 mm wide; diameter of compatible conductor; 3 ... 8 mm



**Item No.: 790-208**  
Shield clamping saddle; 12.4 mm wide; 3 ... 8 mm



**Item No.: 790-116**  
Shield clamping saddle; 19 mm wide; diameter of compatible conductor; 7 ... 16 mm



**Item No.: 790-216**  
Shield clamping saddle; 21.8 mm wide; 6 ... 16 mm



**Item No.: 790-124**  
Shield clamping saddle; 27 mm wide; diameter of compatible conductor; 6 ... 24 mm



**Item No.: 790-220**  
Shield clamping saddle; 30 mm wide; 6 ... 20 mm



**Item No.: 790-140**  
Shield clamping saddle; diameter of compatible conductor

### 1.1.4 System enclosure

#### 1.1.4.1 System enclosure



**Item No.: 850-825**  
IP65 enclosure; Aluminium (RAL 7032); WxHxD (160x100x160 mm); 9 x M12, 4 x M20



**Item No.: 850-826**  
IP65 enclosure; Aluminium (RAL 7032); WxHxD (240x100x160 mm); 4 x M20, 4 x M16, 14 x M12 cable grip



**Item No.: 850-827**  
IP65 enclosure; Aluminium (RAL 7032); WxHxD (320x100x160 mm); 4 x M20, 8 x M16, 17 x M12 cable grip



**Item No.: 850-828**  
IP65 enclosure; Aluminium (RAL 7032); WxHxD (480x100x160 mm); 4 x M20, 10 x M16, 35 x M12 cable grip



**Item No.: 850-826/002-000**  
IP65 enclosure; Aluminium (RAL 7035); WxHxD (240x100x160 mm); 4 x M20, 4 x M16, 14 x M12 cable grip



**Item No.: 850-827/002-000**  
IP65 enclosure; Aluminium (RAL 7035); WxHxD (320x100x160 mm); 4 x M20, 8 x M16, 17 x M12 cable grip



**Item No.: 850-828/002-000**  
IP65 enclosure; Aluminium (RAL 7035); WxHxD (480x100x160 mm); 4 x M20, 10 x M16, 35 x M12 cable grip



**Item No.: 850-834**  
IP65 enclosure; Polyester (RAL 7032); WxHxD (164x100x164 mm); 9 x M12, 4 x M20



**Item No.: 850-835**  
IP65 enclosure; Polyester (RAL 7032); WxHxD (244x100x164 mm); 4 x M20, 4 x M16, 14 x M12 cable grip



**Item No.: 850-836**  
IP65 enclosure; Polyester (RAL 7032); WxHxD (324x100x164 mm); 4 x M20, 8 x M16, 17 x M12 cable grip



**Item No.: 850-814/002-000**  
IP65 enclosure; Sheet steel (RAL 7035); WxHxD (200x120x200 mm); without flange plate



**Item No.: 850-815/002-000**  
IP65 enclosure; Sheet steel (RAL 7035); WxHxD (300x120x200 mm); without flange plate



**Item No.: 850-816/002-000**  
IP65 enclosure; Sheet steel (RAL 7035); WxHxD (400x120x200 mm); without flange plate



**Item No.: 850-817/002-000**  
IP65 enclosure; Sheet steel (RAL 7035); WxHxD (600x120x200 mm); without flange plate