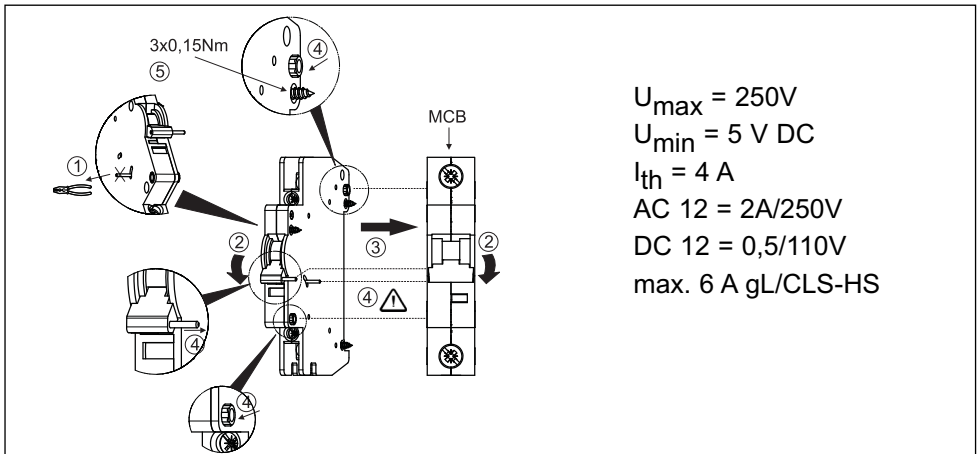
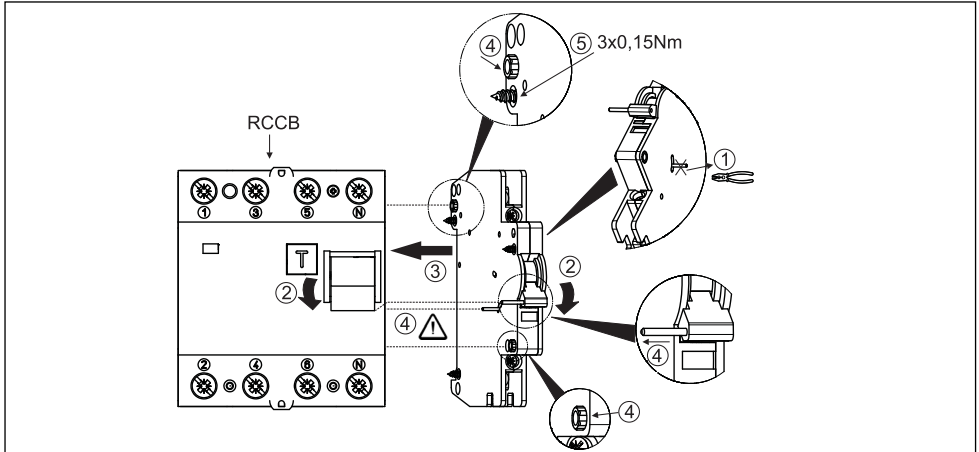
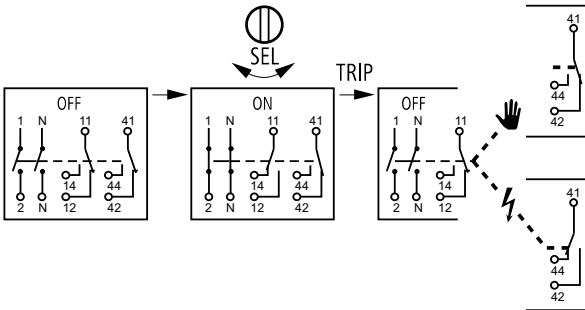
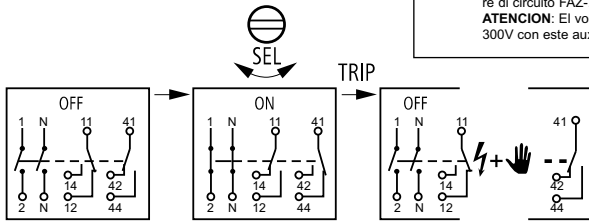
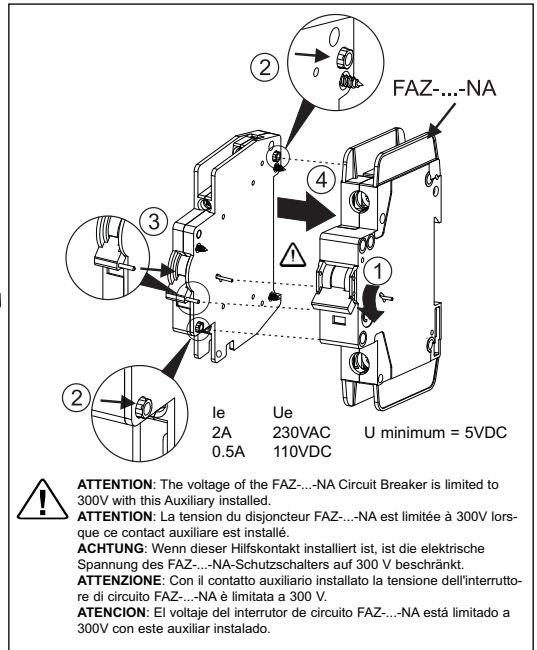
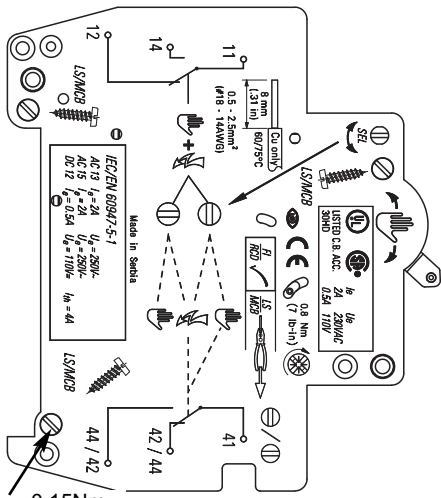


Z-NHK





Cu only mm ²	AWG	8 mm (.31 in)	Z0	0.6 x 3.5 mm (.024 x .14 in)	0.8 Nm (7 lb-in)
1 x 0.5 - 2.5	1 x #18 - 14				
2 x 0.5 - 2 x 1.5	2 x #18 - 2 x #16				

