

Concord

EQUINOX 165 2500 TRIMLESS 940 DALI 2059955



Features

- Equinox is an elegant and innovative luminaire designed using the latest optical technology. It is a high quality and efficient lighting solution for office, hospitality, and retail environments. It creates inspirational halo effects regulated by a unique adjustable optic system. It is DALI dimmable downlight luminaire, Colour rendering index Ra >90, Colour temperature: 4000K Neutral White, Class II, Cut out dimensions: 165mm. Low Glare UGR<19.



Product Overview

Product name	EQUINOX 165 2500 TRIMLESS 940 DALI
Technology	LED
Cap/Base	N/A
Housing	Aluminium
Mount	Ceiling recessed mounting
Fixture luminous flux (lm)	2500
Luminaire efficacy (lm/W)	125
Colour temperature (K)	4000
Light colour	Neutral White
CRI (Ra)	90
Colour Consistency (SDCM)	3
Colour Variation Initial (SDCM)	3
Glare control	< 19
Photobiological Risk Group	RG1
Total power consumption (W)	20
Electrical protection	Class II
Control gear type	LED driver constant current
Control gear mounting	Remote

Concord

EQUINOX 165 2500 TRIMLESS 940 DALI 2059955

Housing colour

RAL 9016 - Traffic white / Bezel

IP rating

IP20

IK rating

IK02

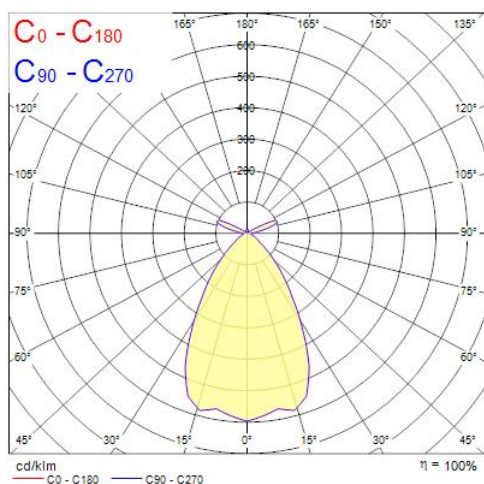
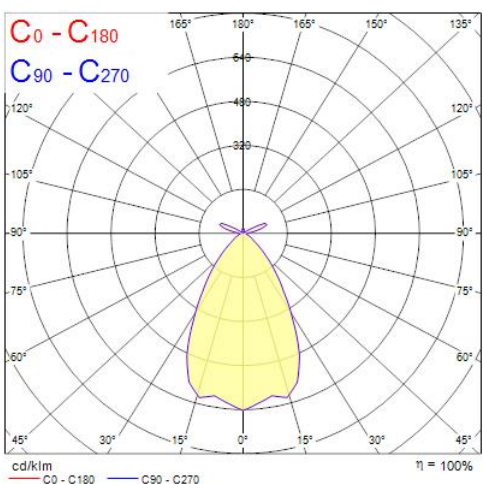
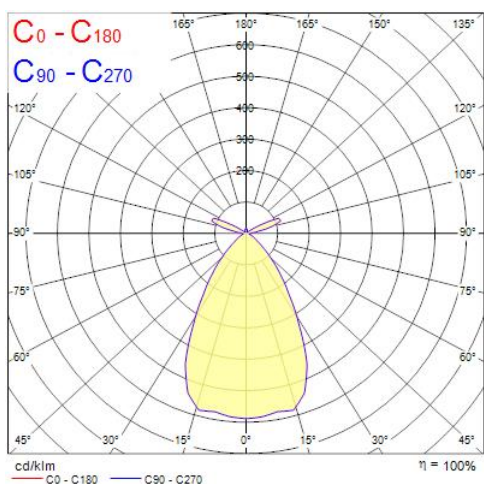
Product EAN number

5025768599554

Warranty

5 years

Photometry



0.5	0.63	E(0°) E(C0)	5889 1792
1.0	1.25	E(0°) E(C0)	1472 448
1.5	1.88	E(0°) E(C0)	654 199
2.0	2.51	E(0°) E(C0)	368 112
2.5	3.14	E(0°) E(C0)	236 72
3.0	3.76	E(0°) E(C0)	164 50

Distance [m] Cone diameter [m] Illuminance [lx]
C0 - C180 (Half beam angle: 64.2°)

0.5	0.62	E(0°) E(C0)	5918 1816
1.0	1.24	E(0°) E(C0)	1479 454
1.5	1.86	E(0°) E(C0)	658 202
2.0	2.48	E(0°) E(C0)	370 114
2.5	3.10	E(0°) E(C0)	237 73
3.0	3.72	E(0°) E(C0)	164 50

Distance [m] Cone diameter [m] Illuminance [lx]
C0 - C180 (Half beam angle: 63.6°)

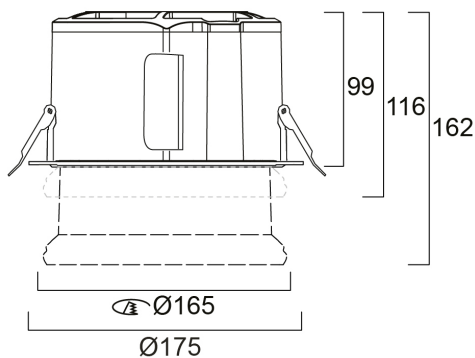
0.5	0.64	E(0°) E(C0)	1074 322
1.0	1.28	E(0°) E(C0)	269 81
1.5	1.92	E(0°) E(C0)	119 36
2.0	2.56	E(0°) E(C0)	67 20
2.5	3.20	E(0°) E(C0)	43 13
3.0	3.84	E(0°) E(C0)	30 9

Distance [m] Cone diameter [m] Illuminance [lx]
C0 - C180 (Half beam angle: 65.2°)

Concord

EQUINOX 165 2500 TRIMLESS 940 DALI 2059955

Technical drawings



Data table

GENERAL DATA

Product name	EQUINOX 165 2500 TRIMLESS 940 DALI
Technology	LED
Cap/Base	N/A
Housing	Aluminium
Mount	Ceiling recessed mounting
Operating temperature range (°C)	1°C...+25°C
Performance ambient temperature Tq (°C)	25
Warranty	5 years

OPTICAL DATA

Fixture luminous flux (lm)	2500
Luminaire efficacy (lm/W)	125
Colour temperature (K)	4000
Light colour	Neutral White

Concord

EQUINOX 165 2500 TRIMLESS 940 DALI 2059955

CRI (Ra)	90
Colour Consistency (SDCM)	3
Colour Variation Initial (SDCM)	3
Glare control	< 19
Photobiological Risk Group	RG1

ELECTRICAL DATA

Total power consumption (W)	20
Primary Supply/Product voltage - min (V)	220
Lamp power factor	0.96
Electrical protection	Class II
Control gear required	No
Control gear type	LED driver constant current
Control gear mounting	Remote
Drive current (mA)	650
Inrush Current (A)	20
Inrush Duration (μ s)	140
Glow Wire Test ($^{\circ}$ C)	650
Energy Efficiency Class (A->G) of contained light source	D
Nominal Frequency (Hz)	50/60Hz
Max. products per 10A C Breaker	40
Max. products per 20A B Breaker	44
Connectable conductor cross section - Min (mm ²)	0.5
Connectable conductor cross section - Max (mm ²)	2.5

LIFETIME DATA

Lifespan L70 B50	120000
Lifespan L80 B20	114000
Lifespan L80 B10	108000
Lifespan L90 B10	51500

Concord

EQUINOX 165 2500 TRIMLESS 940 DALI
2059955

PHYSICAL DATA

Housing colour	RAL 9016 - Traffic white / Bezel
IP rating	IP20
IK rating	IK02
Diffuser finish	Other
Diffuser material	PMMA Acrylic
Nominal Product Diameter (mm)	175
Weight (kg)	1.55

PACKAGING

Single packaging type	Carton
Product EAN number	5025768599554
Packaging single width (cm)	25.0
Packaging single depth (cm)	20.0
DUN14 (outer)	05025768599554
Packaging outer length / height (cm)	20.0

SAFETY DATA

Optimal operating condition (°C)	1-25
Special purpose lamp	No
Dry applications use only	No
Suitable for household illumination	No