

36 512 979 Product version from 4/1/2024



- water jet adjustable
- forceful flat water jet
- horizontal water jet
- max. flow 10 l/min
- Function from: 5.7 l/min

Technical data:

- cover plate 240 x 60 mm
- 1/2" connection

Notes:

- This product can help a building meet the requirements of Green Building Rating Systems, e.g. LEED®, BREEAM®, DGNB

	Chrome	36 512 979-00
	Brushed Platinum	36 512 979-06
	Platinum	36 512 979-08
	Dark Chrome	36 512 979-19
	Light Gold (PVD)	36 512 979-26
	Brushed Light Gold (PVD)	36 512 979-27
	Brushed Durabronze (23kt Gold)	36 512 979-28
	Matte Black	36 512 979-33
	Brushed Gold (PVD)	36 512 979-37
	Brushed Dark Brass (PVD)	36 512 979-39
	Brushed Bronze (PVD)	36 512 979-42
	Brushed Dark Bronze (PVD)	36 512 979-43
	Brushed Champagne (22kt Gold)	36 512 979-46
	Champagne (22kt Gold)	36 512 979-47
	Brushed Chrome	36 512 979-93
	Brushed Dark Platinum	36 512 979-99

Required miscellaneous

xGRID Installation track 555 mm - 12 360 970 90



Required miscellaneous

Concealed wall installation box - 35 206 970 90

- min. recess depth 100 mm
- max. recess depth 173 mm



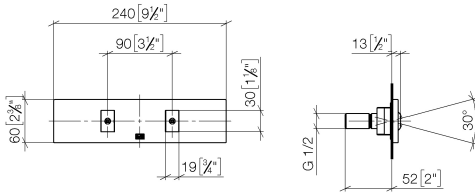
Recommended miscellaneous

xGRID Attachment set for integrating in the dry wall construction - 12 340 970 90

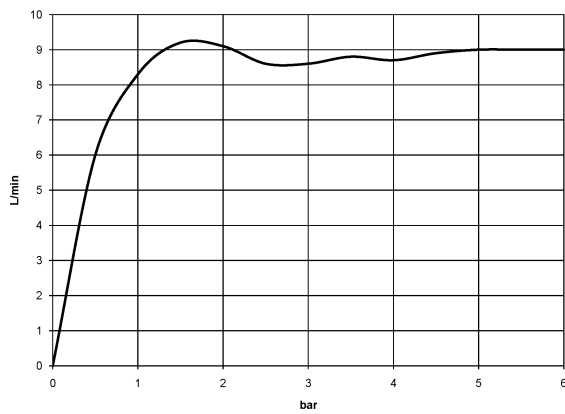


36 512 979 Product version from 4/1/2024

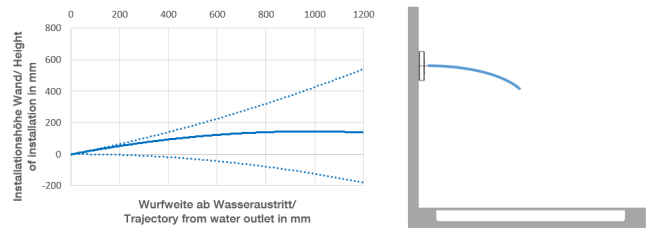
mm [inches]



Flow rate chart



Trajectory diagram



Codes & Standards

DIN 4109

ISO 3822

Scottish Water
Byelaws

UK Water Supply
Regulations

Ü-Zeichen



WATER FAN horizontal Concealed body spray - Chrome

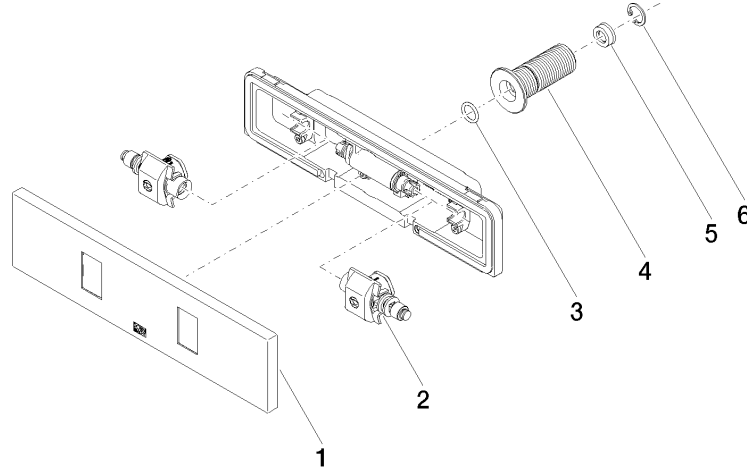
SERIES-VARIOUS

36 512 979 Product version from 4/1/2024

Certificates and sustainability

LGA_29

WRAS_250602



Spare parts list

No.	Item Number	Name	Quantity used	Delivery time
1	90 27 99 002 00-00	Rosette 240 x 60 x 9 mm - Chrome	1.00	20
2	90 31 10 012 00 90	Insert Horizontal nozzle 98 x 64 x 64 mm -	1.00	14
6	09 16 01 014 90	Ring Retaining ring Ø 15 x 1 mm -	1.00	14
4	09 24 05 015 90	Nipple for Water Fan Ø 32,3 x 42 mm -	1.00	14
5	09 23 01 134 90	Flow limiter grey 9,5 l/min. -	1.00	14
3	09 14 10 003 90	O-Ring EPDM 70 11,0 x 2,0 mm -	1.00	14