

Product data sheet Spirotech

Product name

SpiroPure Home Basic

Product properties

The SpiroPure Home range holds fixed replenishment units for various sizes of domestic installations.

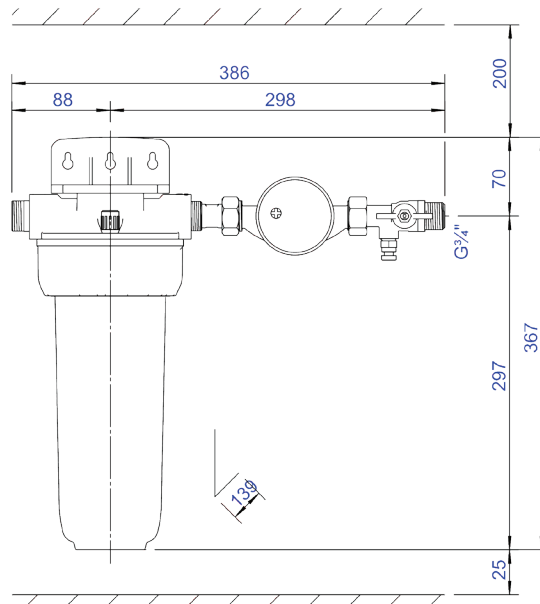
Article number

G76.347

Product image



Product dimensions



Product data sheet Spirotech

ETIM product data

| | |
|-------------------------------------|---|
| Height | 367 mm |
| Max. operating pressure | 8 bar |
| With insulation | No |
| With drain funnel | No |
| With pressure reducer | No |
| Size of cartridge | 0.75 l |
| Suitable for softening | Yes |
| Max. temperature at the inlet | 40 °C |
| Max. temperature at the outlet | 40 °C |
| Suitable for full demineralization | Yes |
| Connections | External thread conical BSPT-R (ISO 7-1 / EN 10226-1) |
| Suitable for pH value stabilization | Yes |
| With pressure gauge | No |

| | |
|---|---------------|
| Suitable for fixed installation | Yes |
| Suitable for mobile use | No |
| Nominal diameter | 3/4 inch (20) |
| With filter | No |
| With de-aerator | No |
| With automatic filling function | No |
| Filling capacity | 120 l/h |
| Width | 386 mm |
| Depth | 139 mm |
| Pressure | 1 - 8 bar |
| Suitable for membrane pressure expansion tank | Yes |
| Suitable for compressor-controlled automatic expansion unit | No |

Disclaimer

This product sheet has been compiled with the greatest possible care. Nevertheless, it may contain errors or omissions. For the most current and correct information we refer you to our website

