



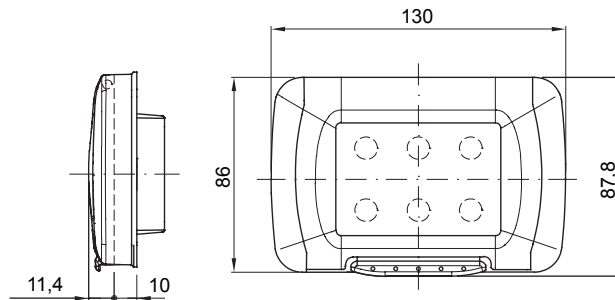
Watertight plates IP55 System range for rectangular (3 and 4 modules) flush mounting boxes. Watertight plates self-supporting for the installation of System range devices. Ergonomic membrane, opening facilitated by a comfortable handle. IP55 degree guaranteed with closed lid and watertight plate mounted on smooth and waterproof walls, without grooves.

| | | | |
|-------------------------------------|------------------------------------|--------------------------|------------------------|
| Omschrijving | 3 modules | Kleur plaat | Wolkwit |
| Afwerking | Glimmend | Materiaal | Technopolymeer |
| IP waarde | IP55 (met gesloten deksel) | Deksel | Met membraan |
| Membrankleur | Transparant | Voor inbouw montage doos | Rechthoekig 3 posities |
| Bevestiging | Met schroef (2 stuks) | Type schroef | 6/32 x 18 mm |
| Schroefmateriaal | Gegalvaniseerd staal | Inbegrepen steun | Zelfondersteunend |
| Pakking | Geëxpandeerd gevulkaniseerd rubber | Gloeidraadtest | 650 °C |
| Thermodruk met kogel | 70 °C | Standaard | EN 60669-1 |
| Bedrijfstemperatuur | -25 +60 °C | UV-bestendigheid | Ja (ISO 4892-2) |
| Maximale openingshoek van de deksel | 100° | Electrocod | 0110 |

BEHAVIOUR WITH CHEMICAL AND ATMOSPHERIC AGENTS

| Saline solution | Acids | | Bases | | Solvents | | | | Mineral oil | UV rays |
|-----------------|--------------------|-----------|--------------|-----------|--------------------|---------------|---------------|---------------|--------------------|-----------|
| | Concentrated | Diluted | Concentrated | Diluted | Hexane | Benzol | Acetone | Alcohol | | |
| Resistant | Limited resistance | Resistant | Resistant | Resistant | Limited resistance | Not resistant | Not resistant | Not resistant | Limited resistance | Resistant |

DIMENSIONAL



TECHNICAL SYMBOLOGY

IP

GWT



IP55 (met gesloten deksel)

650 °C

70 °C

-25 +60 °C

STANDARDS/APPROVALS

