



### Features

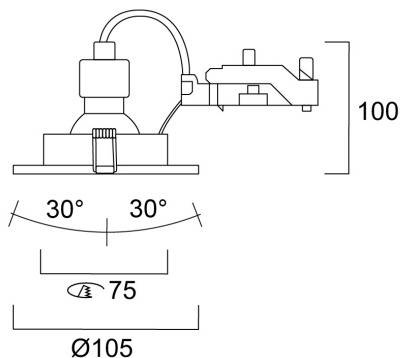
- INSET TREND SQ FL SW WH EX-LMP



### Product Overview

Product name	INSET TREND SQ FL SW WH EX-LMP
Technology	LED/Halogen
Cap/Base	GU10
Housing	Aluminium
Mount	Ceiling recessed mounting
Light source included	Fixture without Lightsource
Environment	Indoor
E-number FI	4271336
E-number SE	7464272
LOR (%)	Dependent on lamp
Light colour	N/A
Electrical protection	Class II
Housing colour	White
IP rating	IP23/20
IK rating	IK02
Product EAN number	8711971840008
Warranty	3 years

### Technical drawings



### Data table

#### GENERAL DATA

Product name	INSET TREND SQ FL SW WH EX-LMP
Technology	LED/Halogen
Cap/Base	GU10
Housing	Aluminium
Mount	Ceiling recessed mounting
Environment	Indoor
E-number FI	4271336
E-number SE	7464272
Warranty	3 years

#### OPTICAL DATA

LOR (%)	Dependent on lamp
Light colour	N/A
Adjustable chromaticity	N

### ELECTRICAL DATA

Light source included	Fixture without Lightsource
Electrical protection	Class II
Control gear required	No
Nominal Frequency (Hz)	50/60Hz

### PHYSICAL DATA

Housing colour	White
IP rating	IP23/20
IK rating	IK02
Nominal Product Length (mm)	83
Nominal Product Width (mm)	83
Weight (kg)	0.223
Recessed Depth (mm)	100

### PACKAGING

Single packaging type	Carton
Product EAN number	8711971840008
Packaging single width (cm)	12.97
Packaging single depth (cm)	6.97
DUN14 (outer)	18711971840005
Packaging outer length / height (cm)	23.5

### SAFETY DATA

Special purpose lamp	No
Dry applications use only	No
Suitable for household illumination	No