

# Concord

## EQUINOX 165 2300 TRIMLESS 930 DALI 2059954



### Features

- Equinox is an elegant and innovative luminaire designed using the latest optical technology. It is a high quality and efficient lighting solution for office, hospitality, and retail environments. It creates inspirational halo effects regulated by a unique adjustable optic system. It is DALI dimmable downlight luminaire, Colour rendering index Ra >90, Colour temperature: 3000K Warm White, Class II, Cut out dimensions: 165mm. Low Glare UGR<19.

### Product Overview

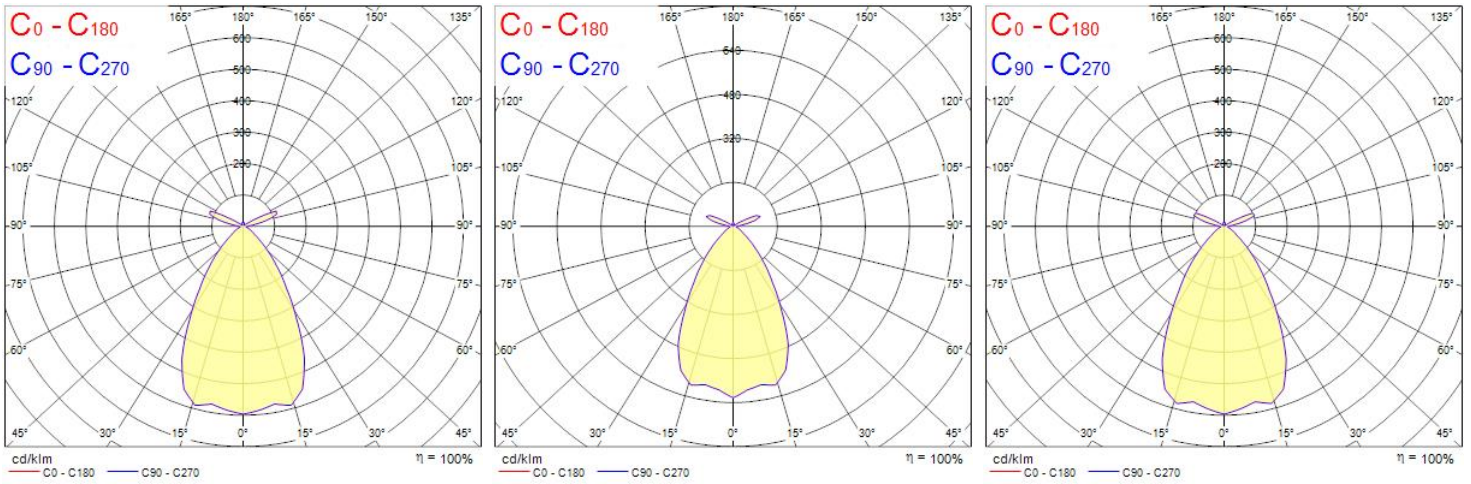
Product name	EQUINOX 165 2300 TRIMLESS 930 DALI
Technology	LED
Cap/Base	N/A
Housing	Aluminium
Mount	Ceiling recessed mounting
Fixture luminous flux (lm)	2300
Luminaire efficacy (lm/W)	115
Colour temperature (K)	3000
Light colour	Warm White
CRI (Ra)	90
Colour Consistency (SDCM)	3
Colour Variation Initial (SDCM)	3
Glare control	< 19
Photobiological Risk Group	RG1
Total power consumption (W)	20
Electrical protection	Class II
Control gear type	LED driver constant current
Control gear mounting	Remote

# Concord

## EQUINOX 165 2300 TRIMLESS 930 DALI 2059954

Housing colour	RAL 9016 - Traffic white / Bezel
IP rating	IP20
IK rating	IK02
Product EAN number	5025768599547
Warranty	5 years

### Photometry



Distance [m]	Cone diameter [m]	Illuminance [lx]	E(0°) E(C0)	E(0°) E(C270)
0.5	0.62	5490 1581	32.0°	32.0°
1.0	1.25	1373 420	32.0°	32.0°
1.5	1.87	610 187	32.0°	32.0°
2.0	2.50	343 105	32.0°	32.0°
2.5	3.12	220 67	32.0°	32.0°
3.0	3.75	153 47	32.0°	32.0°

Distance [m] Cone diameter [m] Illuminance [lx]  
C0 - C180 (Half beam angle: 64.0°)

Distance [m]	Cone diameter [m]	Illuminance [lx]	E(0°) E(C0)	E(0°) E(C270)
0.5	0.62	5430 1577	31.9°	31.9°
1.0	1.24	1370 419	31.9°	31.9°
1.5	1.87	609 186	31.9°	31.9°
2.0	2.49	342 105	31.9°	31.9°
2.5	3.11	219 67	31.9°	31.9°
3.0	3.73	152 47	31.9°	31.9°

Distance [m] Cone diameter [m] Illuminance [lx]  
C0 - C180 (Half beam angle: 63.8°)

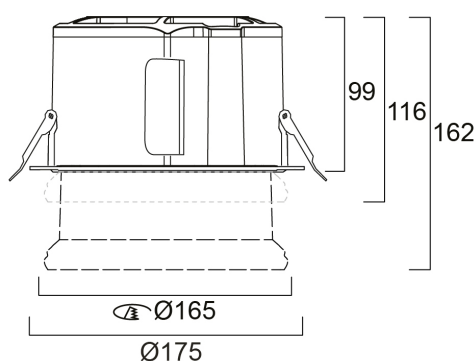
Distance [m]	Cone diameter [m]	Illuminance [lx]	E(0°) E(C0)	E(0°) E(C270)
0.5	0.64	1015 305	32.6°	32.6°
1.0	1.28	254 76	32.6°	32.6°
1.5	1.92	113 34	32.6°	32.6°
2.0	2.56	63 19	32.6°	32.6°
2.5	3.20	41 12	32.6°	32.6°
3.0	3.84	28 8	32.6°	32.6°

Distance [m] Cone diameter [m] Illuminance [lx]  
C0 - C180 (Half beam angle: 65.2°)

# Concord

## EQUINOX 165 2300 TRIMLESS 930 DALI 2059954

### Technical drawings



### Data table

#### GENERAL DATA

Product name	EQUINOX 165 2300 TRIMLESS 930 DALI
Technology	LED
Cap/Base	N/A
Housing	Aluminium
Mount	Ceiling recessed mounting
Operating temperature range (°C)	1°C...+25°C
Performance ambient temperature Tq (°C)	25
Warranty	5 years

#### OPTICAL DATA

Fixture luminous flux (lm)	2300
Luminaire efficacy (lm/W)	115
Colour temperature (K)	3000
Light colour	Warm White

# Concord

## EQUINOX 165 2300 TRIMLESS 930 DALI 2059954

CRI (Ra)	90
Colour Consistency (SDCM)	3
Colour Variation Initial (SDCM)	3
Glare control	< 19
Photobiological Risk Group	RG1

### ELECTRICAL DATA

Total power consumption (W)	20
Primary Supply/Product voltage - min (V)	220
Lamp power factor	0.96
Electrical protection	Class II
Control gear required	No
Control gear type	LED driver constant current
Control gear mounting	Remote
Drive current (mA)	650
Inrush Current (A)	20
Inrush Duration ( $\mu$ s)	140
Glow Wire Test ( $^{\circ}$ C)	650
Energy Efficiency Class (A->G) of contained light source	D
Nominal Frequency (Hz)	50/60Hz
Max. products per 10A C Breaker	40
Max. products per 20A B Breaker	44
Connectable conductor cross section - Min (mm <sup>2</sup> )	0.5
Connectable conductor cross section - Max (mm <sup>2</sup> )	2.5

### LIFETIME DATA

Lifespan L70 B50	120000
Lifespan L80 B20	114000
Lifespan L80 B10	108000
Lifespan L90 B10	51500

# Concord

EQUINOX 165 2300 TRIMLESS 930 DALI  
2059954

## PHYSICAL DATA

Housing colour	RAL 9016 - Traffic white / Bezel
IP rating	IP20
IK rating	IK02
Diffuser finish	Other
Diffuser material	PMMA Acrylic
Nominal Product Diameter (mm)	175
Weight (kg)	1.55

## PACKAGING

Single packaging type	Carton
Product EAN number	5025768599547
Packaging single width (cm)	25.0
Packaging single depth (cm)	20.0
DUN14 (outer)	05025768599547
Packaging outer length / height (cm)	20.0

## SAFETY DATA

Optimal operating condition (°C)	1-25
Special purpose lamp	No
Dry applications use only	No
Suitable for household illumination	No