



Features

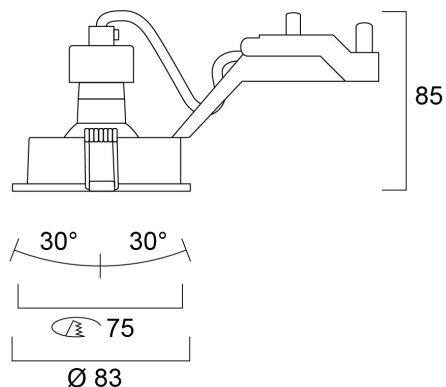
- 75mm cut out. 2 x 30° Tilt. Round bezel.



Product Overview

Product name	INSET TREND 75 SW ES50 BN EX-LMP
Technology	LED/Halogen
Cap/Base	GU10
Housing	Aluminium
Mount	Ceiling recessed mounting
Light source included	Fixture without Lightsource
Environment	Indoor
E-number SE	7464290
LOR (%)	Dependent on lamp
Light colour	N/A
Electrical protection	Class II
Housing colour	Aluminium
IP rating	IP23/20
IK rating	IK02
Product EAN number	8711971835103
Warranty	3 years

Technical drawings



Data table

GENERAL DATA

Product name	INSET TREND 75 SW ES50 BN EX-LMP
Technology	LED/Halogen
Cap/Base	GU10
Housing	Aluminium
Mount	Ceiling recessed mounting
Environment	Indoor
E-number SE	7464290
Warranty	3 years

OPTICAL DATA

LOR (%)	Dependent on lamp
Light colour	N/A
Adjustable chromaticity	N

ELECTRICAL DATA

INSET TREND 75 SW ES50 BN EX-LMP 3083510

Light source included	Fixture without Lightsource
Primary Supply/Product voltage - min (V)	220
Electrical protection	Class II
Control gear required	No
Nominal Frequency (Hz)	50/60Hz

PHYSICAL DATA

Housing colour	Aluminium
IP rating	IP23/20
IK rating	IK02
Nominal Product Length (mm)	83
Nominal Product Width (mm)	83
Weight (kg)	0.135
Recessed Depth (mm)	100

PACKAGING

Single packaging type	Carton
Product EAN number	8711971835103
Packaging single width (cm)	10.1
Packaging single depth (cm)	7.0
DUN14 (outer)	18711971835100
Packaging outer length / height (cm)	23.9

SAFETY DATA

Special purpose lamp	No
Dry applications use only	No
Suitable for household illumination	No