



Features

- Exterior LED Floodlight, comes complete with a 1000mm cable and adjustable bracket, aluminium housing, clear glass diffuser, IP66, IK08, Class I, 4000K, Non-dimming, 8787lm, 82W, 107lm/W, 2400mA, CRI70, 52°x117° beam angle, 50000hrs, (LxWxD) 66x290x333mm

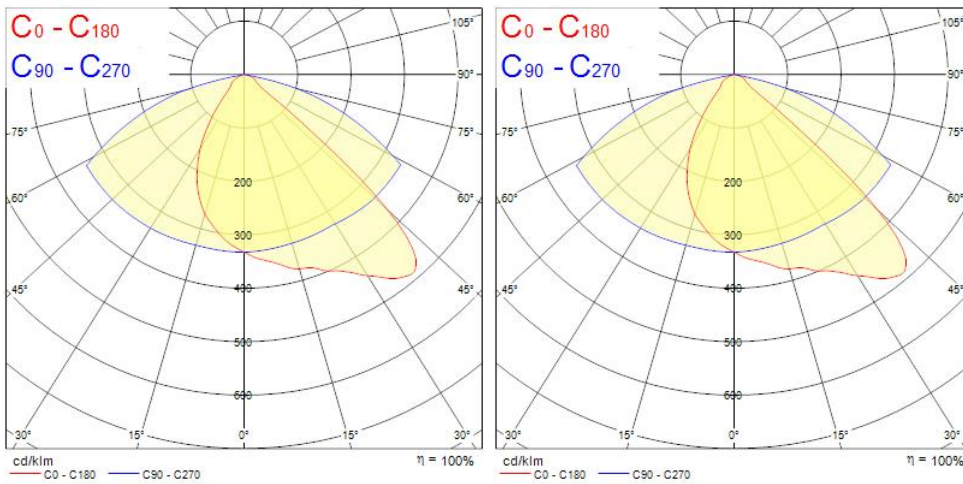
Product Overview

Product name	Sylveo LED 8000LM RASYM 4K
Technology	LED
Housing	Aluminium
Mount	Wall surface mounted
Fixture rating	Enclosed
Environment	Internal/External
General application	Logistics & Industry
ETIM Class	EC001744
E-number FI	4579166
E-number SE	7763475
Fixture luminous flux (lm)	8787
Luminaire efficacy (lm/W)	107
LOR (%)	100
Correlated colour temperature (k)	4000
Light colour	Neutral White
CRI (Ra)	70
Colour Variation Initial (SDCM)	6
Beam Angle (°)	52 x 117
Glare control	< 18
Photobiological Risk Group	RG1
Total power consumption (W)	82.2

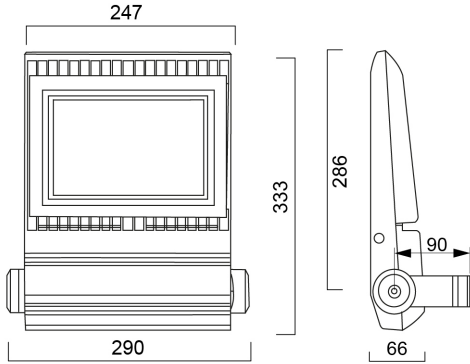
Sylveo LED 8000LM RASYM 4K 0049108

Electrical protection	Class I
Control gear type	LED driver constant current
Dimmable	No
LED Flickering Rate	Ultra low (5% or less)
Housing colour	RAL9006
IP rating	IP66
IK rating	IK08
Product EAN number	5410288491080
Warranty	5 years
Dimming method	N/A

Photometry



Technical drawings



Data table

GENERAL DATA

Product name	Sylveo LED 8000LM RASYM 4K
Technology	LED
Housing	Aluminium
Mount	Wall surface mounted
Fixture rating	Enclosed
Environment	Internal/External
General application	Logistics & Industry
Operating temperature range (°C)	-40°C...+45°C
Performance ambient temperature Tq (°C)	25
ETIM Class	EC001744
E-number FI	4579166
E-number SE	7763475
Warranty	5 years

OPTICAL DATA

Sylveo LED 8000LM RASYM 4K 0049108

Fixture luminous flux (lm)	8787
Luminaire efficacy (lm/W)	107
LOR (%)	100
Correlated colour temperature (k)	4000
Light colour	Neutral White
CRI (Ra)	70
Colour Variation Initial (SDCM)	6
Adjustable chromaticity	N
Beam Angle (°)	52 x 117
Glare control	< 18
Photobiological Risk Group	RG1

ELECTRICAL DATA

Total power consumption (W)	82.2
Current (A)	0.348
Primary Supply/Product voltage - min (V)	220
Primary Supply/Product voltage - max (V)	240
Lamp power factor	0.95
THD (at 230 V, 50 Hz, full load, at 100% dimming level) ≤ xx.x %	20
Electrical protection	Class I
Control gear required	No
Control gear type	LED driver constant current
Dimmable	No
Dimming method	N/A
Drive current (mA)	2400
Inrush Current (A)	30
Inrush Duration (µs)	20
Energy Efficiency Class (A->G) of contained light source	D
Nominal Frequency (Hz)	50/60Hz
LED Flickering Rate	Ultra low (5% or less)
Max. products per 10A C Breaker	6
Max. products per 13A C Breaker	8
Max. products per 16A C Breaker	10

Sylveo LED 8000LM RASYM 4K 0049108

Max. products per 20A C Breaker	12
Max. products per 10A B Breaker	3
Max. products per 13A B Breaker	5
Max. products per 16A B Breaker	6
Max. products per 20A B Breaker	7
Mains surge immunity (differential mode -> L-N) (kV)	2
Mains surge immunity (common mode -> L/N - GND) (kV)	4

LIFETIME DATA

Lifespan L70 B50	50000
Lifespan L80 B50	49000

PHYSICAL DATA

Housing colour	RAL9006
IP rating	IP66
IK rating	IK08
Diffuser finish	Transparent
Diffuser material	Glass
Nominal Product Length (mm)	290
Nominal Product Width (mm)	66
Nominal Product Height (mm)	333
Weight (kg)	4.6
Wind Area (m ²)	0.082

PACKAGING

Product EAN number	5410288491080
Packaging single length / height (cm)	31.8
Packaging single width (cm)	13.2
Packaging single depth (cm)	41.4
DUN14 (inner)	15410288491087
Units per outer package	2
Packaging outer length / height (cm)	33.3

Sylveo LED 8000LM RASYM 4K 0049108

Packaging outer width (cm)	28.5
Packaging outer depth (cm)	43.2

SAFETY DATA

Glow Wire Test (°C)	650
Optimal operating condition (°C)	-40-45
Special purpose lamp	No
Dry applications use only	No
Suitable for household illumination	No