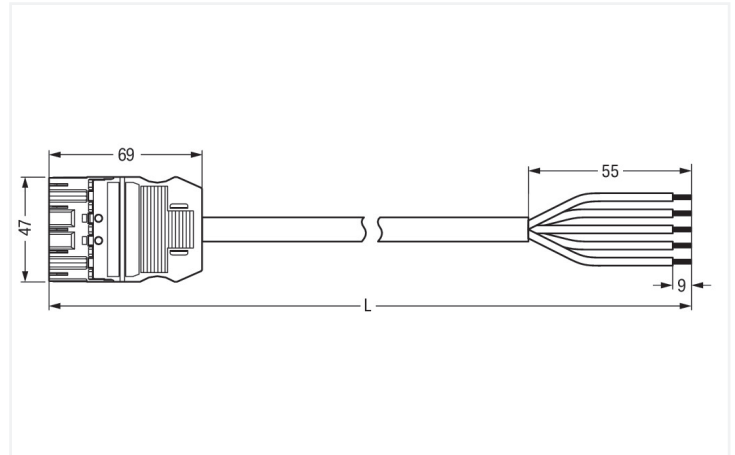
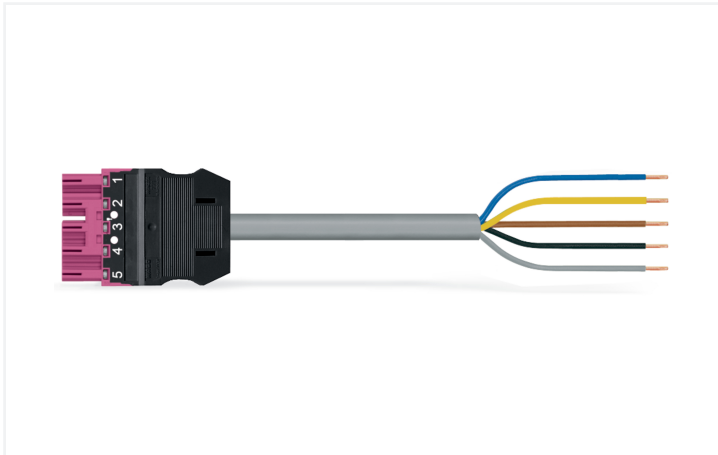


## Data Sheet | Item Number: 771-9395/266-107

pre-assembled connecting cable; Cca; Plug/open-ended; 5-pole; Cod. B; 1 m; 1,50 mm<sup>2</sup>

<https://www.wago.com/771-9395/266-107>



Dimensions in mm

### Cable assembly WINSTA® MIDI with strain relief

The WINSTA® MIDI cable assembly rated current 16 A supports rapid, correct installation. Whether on PCBs, in control cabinets or for connecting lights – pluggable installation connectors from WAGO allow you to make connections according to an enormous variety of requirements in next to no time. The coding options reduce installation errors, allowing fast, maintenance-free wiring of all components. The pluggable installation connector offers protection against contact with live components in accordance with protection type IP20 (When mated: IP2xC (These compact connectors are not designed for use in open, easily accessible areas!)). Solutions like the WINSTA® MIDI pluggable installation connectors with B coding are suitable for applications related to process control, such as for lighting or within data networks. The WINSTA® MIDI Pluggable Connection System with Push-in CAGE CLAMP® spring pressure connection technology facilitates precise electrification. Thanks to the integrated test slot, it is possible to check connections even when they are plugged in. That saves time and reduces installation labor and costs. Anyone who needs to worry about technical safety requirements for fire protection reasons for electrical installation should be able to rely on the quality of the components. Our product meets the official safety standards of fire class C. The cable assembly is free of halogen. This eliminates the addition of environmental pollutants during production. It also increases the fire class, since halogen-free materials are flame-resistant.

### Pluggable connections instead of screw connections – cable assemblies from WAGO

The cable is pre-assembled with a plug and a free end. The WINSTA® Pluggable Connection System allows pluggable electrical installation. This saves time, lowers costs, and reduces the need for servicing. Enjoy the benefits of the pluggable version of our maintenance-free spring pressure connection technology too! Plan your installation with with strain relief hosting from WAGO.

- effective protection against mismatching
- pre-assembled versions
- with B coding for use in process automation, such as lighting technology, for example
- ready to install and use immediately
- convenient installation and commissioning

## Notes

|           |   |
|-----------|---|
| Note      | Cables with a different fire class can be found in the eShop.   |
| Variants: | Other pole markings<br>Other versions (or variants) can be requested from WAGO Sales or configured at <a href="https://configurator.wago.com/">https://configurator.wago.com/</a> . |

## Electrical data

| Ratings per                     | IEC/EN 60664-1 |     |    | General information        |  |
|---------------------------------|----------------|-----|----|----------------------------|--|
| Overvoltage category            | III            | III | II | Note on contact resistance | approx. 1 mΩ of contact resistance<br>approx. 0.25 mΩ contact transition plug/<br>socket |
| Pollution degree                | 3              | 2   | 2  |                            |  |
| Nominal voltage                 | 400 V          | -   | -  |                            |  |
| Rated impulse withstand voltage | 6 kV           | -   | -  |                            |  |
| Rated current                   | 16 A           | -   | -  |                            |  |

## Connection Data

|                            |                           |                                 |                     |
|----------------------------|---------------------------|---------------------------------|---------------------|
| Total number of potentials | 5                         | <b>Connection 1</b>             |                     |
| Conductor preparation      | ultrasonically tip-bonded | Strip length                    | 9 mm / 0.35 inches  |
|                            |                           | Pole number                     | 5                   |
|                            |                           | Wire cross-section              | 1.5 mm <sup>2</sup> |
|                            |                           | Strip length (outer insulation) | 55 mm               |
|                            |                           | Connection type                 | Plug - free end     |

## Physical data

|              |                         |
|--------------|-------------------------|
| Pin spacing  | 10 mm / 0.394 inches    |
| Width        | 47 mm / 1.85 inches     |
| Height       | 15.38 mm / 0.606 inches |
| Total length | 1 m                     |

## Mechanical data

|   |   |
|---|---|
| Use                                     | Control technology  |
| Coding                                  | B   |
| Variable coding                         | Yes   |
| Marking                                 | 1 2 3 4 5   |
| Potential marking                       | 1 2 3 4 5   |
| Mating force of a plug-in connection    | approx. 20 ... 70 N (depending on pole number)  |
| Retention force of a plug-in connection | when locked: > 80N  |
| Unmating force of a plug-in connection  | when unlocked: approx. 20 ... 70 N (depending on pole number)   |
| Number of mating cycles                 | 200, without resistive load   |
| Connection type                         | Plug - free end   |
| Type of pre-assembled cable             | Connecting cable  |
| Cable type                              | Control line 5x1.5  |
| Protection type                         | IP20; When mated: IP2xC (These compact connectors are not designed for use in open, easily accessible areas!) |

### Plug-in connection

|                               |  |
|-------------------------------|--|
| Mismating protection          | Yes  |
| Note on mismating protection  | All WINSTA® components are 100% protected against mismating when:<br>a.) plugging different numbers of poles<br>b.) plugging while rotated 180<br>c.) plugging while laterally staggered<br>d.) plugging one pole  |
| Locking lever                 | Can be retrofitted   |
| Locking of plug-in connection | Locking lever  |
| Note on locking system        | All connectors for mounted installations (snap-in versions for lighting fixtures or devices, all types of PCB and distribution connectors) are factory-equipped with locking levers to ensure plugs and sockets are securely locked. Additional locking levers are only required for flying leads (plug/socket). |

### Material data

|                                    |  |
|------------------------------------|--|
| Note (material data)               | <a href="#">Information on material specifications can be found here</a> |
| Insulation material (main housing) | Polyamide (PA66)   |
| Flammability class per UL94        | V0   |
| Fire class per EN 50575            | C <sub>ca</sub>  |
| Contact material                   | Copper or copper alloy; surface-treated                                  |
| Contact Plating                    | Tin  |
| Fire load                          | 0.604 MJ   |
| Connector color                    | pink   |
| Strain relief color                | black  |
| Printing color of strain relief    | white  |
| Sheathed cable color               | gray   |
| Printing color of sheathed cable   | black  |
| Halogen-free                       | Yes  |
| Silicon-free                       | Yes  |
| Sheath material                    | Halogen-free   |
| Rubber cable                       | No   |
| Weight                             | 194.2 g  |
| Copper weight of the raw cable     | 0.072 kg/m   |

### Environmental requirements

|  |   |
|--|---|
| Processing temperature                   | -5 ... +40 °C   |
| Continuous operating temperature         | -35 ... +85 °C  |
| Note on continuous operating temperature | Cable for temperatures ≤ 70 °C (including halogen-free)<br>Insulating parts for temperatures ≤ 105 °C |

### Commercial data

|                       |               |
|-----------------------|---------------|
| PU (SPU)              | 1 pcs         |
| Packaging type        | unpacked      |
| Country of origin     | DE            |
| GTIN                  | 4066966154108 |
| Customs tariff number | 85444290900   |

**Product Classification**

|           |                      |
|-----------|----------------------|
| UNSPSC    | 26121629             |
| ETIM 9.0  | EC002587             |
| ETIM 10.0 | EC002587             |
| ECCN      | NO US CLASSIFICATION |

**Environmental Product Compliance**

|                        |                         |
|------------------------|-------------------------|
| RoHS Compliance Status | Compliant, No Exemption |
|------------------------|-------------------------|

**Downloads**

**Environmental Product Compliance**

|  |  |
|--|--|
| Compliance Search                                    |  |
| Environmental Product Compliance<br>771-9395/266-107 |  |

**1 Compatible Products**

**1.1 Required Accessories**

**1.1.1 Locking system**

**1.1.1.1 Locking system**

|   |   |   |   |
|---|---|---|---|
|   |   |   |   |
| <a href="#">Item No.: 770-101</a><br>Locking lever; for flying leads; for manual operation; black | <a href="#">Item No.: 770-121</a><br>Locking lever; for flying leads; for manual operation; white | <a href="#">Item No.: 770-111</a><br>Locking lever; for flying leads; for tool operation; black | <a href="#">Item No.: 770-131</a><br>Locking lever; for flying leads; for tool operation; white |

**1.2 Optional Accessories**

**1.2.1 Cover**

**1.2.1.1 Cover**

|  |  |
|--|--|
|  |  |
| <a href="#">Item No.: 770-360</a><br>Lockout cap; for plugs; 5-pole; separable; yellow | <a href="#">Item No.: 897-2005</a><br>Protective cap; Type4; for sockets and plugs; PVC; red |

**1.2.2 Installation**

**1.2.2.1 Mounting accessories**

|  |
|--|
|  |
| <a href="#">Item No.: 770-310</a><br>Mounting carrier; 2- to 5-pole; for flying leads; black |

### 1.2.3 Marking

#### 1.2.3.1 Marker



[Item No.: 770-450/000-006](#)  
Marker card; Plastic; blue



[Item No.: 770-450/000-001](#)  
Marker card; Plastic; green



[Item No.: 770-450/000-012](#)  
Marker card; Plastic; orange



[Item No.: 770-450/000-005](#)  
Marker card; Plastic; red



[Item No.: 770-450](#)  
Marker card; Plastic; white



[Item No.: 770-450/000-002](#)  
Marker card; Plastic; yellow

#### 1.2.3.2 Marking strip



[Item No.: 210-334](#)  
Marking strips; as a DIN A4 sheet; Strip width 5 mm; Strip length 182 mm; plain; Self-adhesive; white