



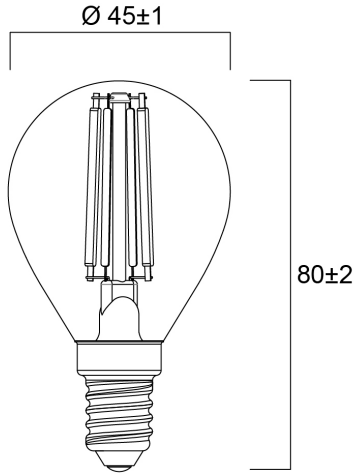
Features

- Perfect for decorative and general lighting applications and creates a warm ambience similar to traditional lamps. The versatile ToLEDo Retro ball range is the ideal replacement for halogen and incandescent lamps and perfect for chandeliers and decorative applications. Same look, size and functionality as incandescent lamps. Omni-directional light distribution. Gives same sparkling light effect as the incandescent lamp. Dimensionally identical to incandescent lamps - fits all fixtures. Environment-friendly - no mercury and lower CO2 emissions.

Product Overview

Product name	ToLEDo RT Ball CL 470LM 827 E14 SL4
Technology	LED
Watt (Rated) (W)	4.5
Cap/Base	E14
Fixture rating	Open
Colour temperature (K)	2700
CRI (Ra)	80
Colour Variation Initial (SDCM)	6
Photobiological Risk Group	RG1
Wattage (W)	4.5
Product EAN number	5410288295534
Warranty	2 years

Technical drawings



Data table

GENERAL DATA

Product name	ToLEDo RT Ball CL 470LM 827 E14 SL4
Technology	LED
Watt (Rated) (W)	4.5
Cap/Base	E14
Fixture rating	Open
Operating temperature range (°C)	-20°C...+40°C
Performance ambient temperature Tq (°C)	25
Warranty	2 years

OPTICAL DATA

Luminous flux (Rated) (lm)	470
Colour temperature (K)	2700

ToLEDo RT Ball CL 470LM 827 E14 SL4 0029553

CRI (Ra)	80
Colour Variation Initial (SDCM)	6
Photobiological Risk Group	RG1
Lumen maintenance at end of nominal life (%)	70

ELECTRICAL DATA

Wattage (W)	4.5
Equivalent watt (W)	40
Primary Supply/Product voltage - min (V)	220
Control gear required	No
Inrush Current (A)	6.3
Inrush Duration (μ s)	240
Lamp Energy Label (class)	F
Nominal Frequency (Hz)	50/60Hz

LIFETIME DATA

Lifespan L70 B50	12000
Average life (Rated) (h)	15000

PHYSICAL DATA

Nominal Product Length (mm)	80
Nominal Product Diameter (mm)	45
Weight (kg)	0.18

PACKAGING

Single packaging type	Carton
Product EAN number	5410288295534
Packaging single width (cm)	15.7
Packaging single depth (cm)	3.9
DUN14 (outer)	15410288295531
Packaging outer length / height (cm)	10.5

SYLVANIA

ToLEDo RT Ball CL 470LM 827 E14 SL4
0029553

SAFETY DATA

Optimal operating condition (°C)	-20-40
Breakage cleaning instructions	Not applicable
Special purpose lamp	No
Dry applications use only	No
Suitable for household illumination	No
Safety message	Not Suitable for totally enclosed fixtures

Energy label

 **ENERG** ⚡
SYLVANIA
0029553



5
kWh/1000h



2019/2015

 **ENERG** ⚡
SYLVANIA
0029553



5
kWh/1000h



2019/2015

Light your world