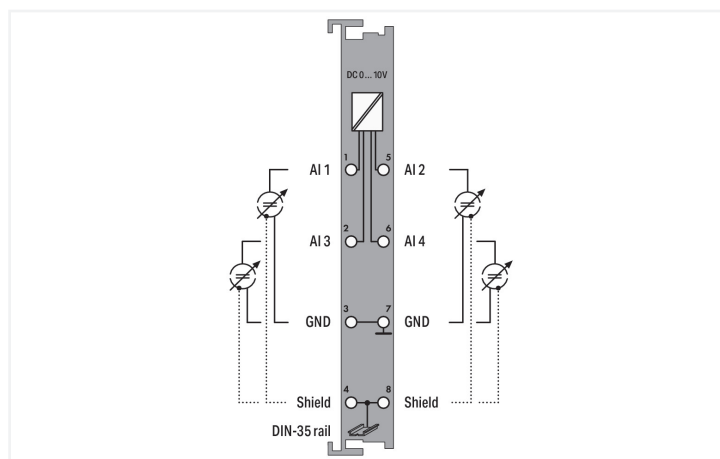
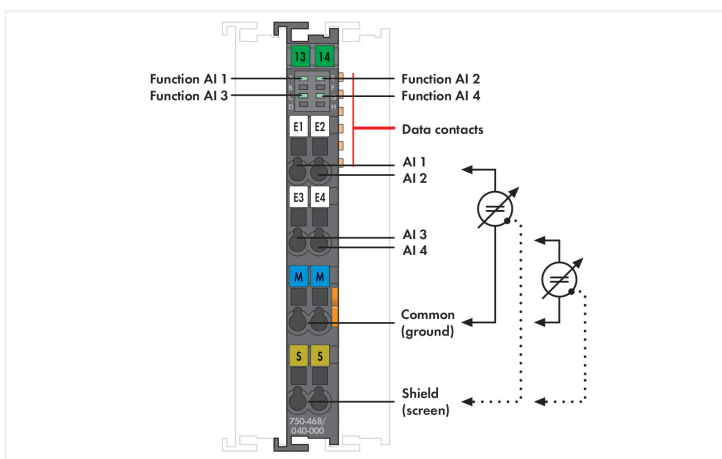


Color: ■ dark gray



This analog input module processes standard 0–10 V signals.
 The input signal is electrically isolated and is transmitted with a resolution of 12 bits.
 The internal system supply powers the module.
 The input channels of the module have a common ground potential.
 The shield directly connects to the DIN-rail.

The device is ideal for operation in extreme environments thanks to:

- An extended temperature range
- Greater immunity to impulse voltages and electromagnetic interference
- Higher vibration and shock resistance

Technical data

| | |
|--|--|
| Number of analog inputs | 4 |
| Total number of channels (module) | 4 |
| Signal type | Voltage |
| Signal type (voltage) | 0 ... 10 VDC |
| Sensor connection | 4 x (2-wire) |
| Input voltage (max.) | 35 V |
| Signal characteristics | Single-ended |
| Resolution [bit] | 12 bits |
| Data width | 4 x 16-bit data; 4 x 8-bit control/status (optional) |
| Internal resistance | 133 kΩ |
| Conversion time (typ.) | 4 ms |
| Measurement error (reference temperature) | 25 °C |
| Measurement error, deviation (max.) from the upper-range value | 0.2 % |
| Temperature error (max.) of the upper-range value | 0.01 %/K |
| Supply voltage (system) | 5 VDC; via data contacts |
| Current consumption (5 V system supply) | 60 mA |
| Dielectric strength | 510 VAC / 775 VDC; per EN 60870-2-1 |
| Rated impulse withstand voltage | 1 kV |
| Indicators | LED (A, E, C, G) green: Function AI 1 ... AI 4 |

Connection Data

| | |
|---------------------------------|--|
| Connection technology: I/O | 8 x CAGE CLAMP® |
| Connectable conductor materials | Copper |
| Connection type | Inputs/outputs |
| Solid conductor | 0.25 ... 2.5 mm ² / 24 ... 14 AWG |
| Fine-stranded conductor | 0.25 ... 2.5 mm ² / 24 ... 14 AWG |
| Strip length | 8 ... 9 mm / 0.31 ... 0.35 inches |

Physical data

| | |
|-----------------------------------|------------------------|
| Width | 12 mm / 0.472 inches |
| Height | 100 mm / 3.937 inches |
| Depth | 67.8 mm / 2.669 inches |
| Depth from upper-edge of DIN-rail | 60.6 mm / 2.386 inches |

Mechanical data

| | |
|---------------|-------------|
| Mounting type | DIN-35 rail |
|---------------|-------------|

Material data

| | |
|--------------------|------------------------------|
| Color | dark gray |
| Housing material | Polycarbonate; polyamide 6.6 |
| Fire load | 0.939 MJ |
| Weight | 50 g |
| Conformity marking | CE |

Environmental requirements

| | |
|--|--|
| Ambient temperature (operation) | -40 ... +70 °C |
| Ambient temperature (installation) | -20 ... +70 °C |
| Ambient temperature (storage) | -40 ... +85 °C |
| Protection type | IP20 |
| Pollution degree | 2 per IEC 61131-2 |
| Operating altitude | without temperature derating: 0 ... 2000 m; with temperature derating: 2000 ... 5000 m (0.5 K/100 m); 5000 m (max.) |
| Mounting position | Horizontal left, horizontal up, vertical top and vertical bottom |
| Relative humidity (without condensation) | 95 % |
| Relative humidity (with condensation) | Short-term condensation per Class 3K7/IEC EN 60721-3-3 and E-DIN 40046-721-3 (except for wind-driven precipitation, water and ice formation) |
| Vibration resistance | According to type test for marine classification (ABS, BV, DNV, IACS, LR): acceleration: 5g, IEC 60068-2-6, EN 60870-2-2, IEC 60721-3-1, -3, EN 50155, EN 61373 |
| Shock resistance | per IEC 60068-2-27 (10g/16 ms/half-sine/1,000 shocks; 25g/6 ms/half-sine/1,000 shocks), EN 50155, EN 61373 |
| EMC immunity to interference | per EN 61000-6-1, -2; EN 61131-2; marine applications; EN 50121-3-2; EN 50121-4, -5; EN 60255-26; EN 60870-2-1; EN 61850-3; IEC 61000-6-5; IEEE 1613; VDEW: 1994 |
| EMC emission of interference | per EN 61000-6-3, -4, EN 61131-2, EN 60255-26, marine applications, EN 60870-2-1, EN 61850-3, EN 50121-3-2, EN 50121-4, -5 |
| Exposure to pollutants | per IEC 60068-2-42 and IEC 60068-2-43 |
| Permissible H ₂ S contaminant concentration at a relative humidity 75 % | 10 ppm |
| Permissible SO ₂ contaminant concentration at a relative humidity 75 % | 25 ppm |

Commercial data

| | |
|-----------------------|-----------------|
| Product Group | 15 (I/O System) |
| PU (SPU) | 1 pcs |
| Packaging type | Box |
| Country of origin | DE |
| GTIN | 4050821460268 |
| Customs tariff number | 8538909990 |

Product Classification

| | |
|-------------|----------------------|
| UNSPSC | 32101604 |
| eCl@ss 10.0 | 27-24-26-01 |
| eCl@ss 9.0 | 27-24-26-01 |
| ETIM 9.0 | EC001596 |
| ETIM 10.0 | EC001596 |
| ECCN | NO US CLASSIFICATION |

Environmental Product Compliance

| | |
|---|---|
| CAS-No. | 1303-86-2 1317-36-8 7439-92-1 |
| REACH Candidate List Substance | Diboron trioxide Lead Lead monoxide Perfluorobutane sulfonic acid (PFBS) and its salts |
| RoHS Compliance Status | Compliant, With Exemption |
| RoHS Exemption | 7(c)-I |
| SCIP notification number (Austria) | 9d6a9149-550d-4d12-b271-4d928e338bfc |
| SCIP notification number (Belgium) | 70f38343-f561-46fe-a32e-5d39f28296af |
| SCIP notification number (Bulgaria) | a38282b6-966d-4344-9974-615a153f43b9 |
| SCIP notification number (Czech Republic) | c74ee0a6-7fcf-448c-9bad-e364a8bc7472 |
| SCIP notification number (Denmark) | 8f84de09-cfbc-4a6e-8fd9-d6079e102a87 |
| SCIP notification number (Finland) | 0501a10e-0c75-4329-bb7e-88f54f1def92 |
| SCIP notification number (France) | c02e5589-addf-419b-8302-18cfb2ebf418 |

Environmental Product Compliance

| | |
|--|--------------------------------------|
| SCIP notification number (Germany) | 2ea87f6e-0897-4aef-b24c-0e444616532b |
| SCIP notification number (Hungary) | 546b4635-8b02-4ff6-ac0f-a7a665c29929 |
| SCIP notification number (Italy) | 39bc145a-1408-46a4-b261-11bdd77b7a52 |
| SCIP notification number (Netherlands) | ef0d00c5-d0d6-4e4a-a9dd-495253a423d7 |
| SCIP notification number (Poland) | 781704d7-ffdd-43f8-b4c5-02164d7e12a9 |
| SCIP notification number (Romania) | 5e8d623a-e93a-48e5-9ccb-81054121da14 |
| SCIP notification number (Sweden) | 538c94e4-3ec3-44d2-b626-5f8dd4a29455 |

Approvals / Certificates

General approvals



| Approval | Standard | Certificate Name |
|---|------------------------|---------------------|
| EAC GZO Almaty Standart | TP TC 020/2011 | EAC CoC 03083 |
| KC National Radio Research Agency | Article 58-2, Clause 3 | MSIP-REM-W43-AIM750 |
| UL Underwriters Laboratories Inc. (ORDINARY LOCATIONS) | UL 508 | E175199 |

Declarations of conformity and manufacturer's declarations

| Approval | Standard | Certificate Name |
|--|----------|------------------|
| EU-Declaration of Conformity WAGO GmbH & Co. KG | - | - |
| UK-Declaration of Conformity WAGO GmbH & Co. KG | - | - |

Approvals for marine applications



| Approval | Standard | Certificate Name |
|------------------------------------|----------|-------------------|
| ABS American Bureau of Shipping | - | 22-2208829-PDA |
| DNV DNV GL SE | - | TAA00000Y7 |
| LR Lloyds Register | - | LR22276776TA |
| PRS Polski Rejestr Statków | - | TE/1099/880590/23 |

Approvals for hazardous areas



| Approval | Standard | Certificate Name |
|--|-------------|---|
| ATEX TUEV Nord Cert GmbH | EN 60079-0 | TUEV 17 ATEX 193969X (II 3 G Ex ec IIC T4 Gc) |
| CCC CNEX | CNCA-C23-01 | 2020312310000214 (Ex ec IIC T4 Gc) |
| IECEX TUEV Nord Cert GmbH | IEC 60079-0 | IECEX TUN 16.0046X (Ex ec IIC T4 Gc) |
| UKEx WAGO GmbH & Co. KG | EN 60079-0 | UKCA_WA GO22UKEX005X_ec |
| UL Underwriters Laboratories Inc. (HAZARDOUS LOCATIONS) | UL 121201 | E198726 |

Downloads

Environmental Product Compliance

Compliance Search

Environmental Product Compliance
750-468/040-000



Documentation

| Manual | | | |
|---|-----------------------|-------------------|-------------------|
| Product Manual 4AI 0-10 V DC S.E. /XTR | V 1.3.0 16.08.2019 | pdf 1553.69 KB | ↓ |

| System Description | | |
|---|------------------|-------------------|
| Overview on WAGO-I/O-SYSTEM 750 approvals | pdf 770.48 KB | ↓ |
| 750 XTR Series I/O-System – General Product Information | pdf 726.09 KB | ↓ |

| Bid Text | | | |
|-----------------|------------|-----------------|-------------------|
| 750-468/040-000 | 19.02.2019 | xml 6.59 KB | ↓ |
| 750-468/040-000 | 28.10.2015 | doc 29.00 KB | ↓ |

| Instruction Leaflet | | | |
|---------------------------------|------------|------------------|-------------------|
| CCC Ex (Additional information) | 26.04.2023 | pdf 144.58 KB | ↓ |

CAD/CAE-Data

| CAD data | |
|---------------------------------|-------------------|
| 2D/3D Models 750-468/040-000 | ↓ |

| CAE data | |
|--------------------------------------|-------------------|
| EPLAN Data Portal 750-468/040-000 | ↓ |
| WSCAD Universe 750-468/040-000 | ↓ |
| ZUKEN Portal 750-468/040-000 | ↓ |

1 Compatible Products

1.1 Optional Accessories

1.1.1 DIN-rail

1.1.1.1 Mounting accessories



Item No.: 210-196
Aluminum carrier rail; 35 x 8.2 mm; 1.6 mm thick; 2 m long; unslotted; similar to EN 60715; silver-colored



Item No.: 210-198
Copper carrier rail; 35 x 15 mm; 2.3 mm thick; 2 m long; unslotted; according to EN 60715; copper-colored



Item No.: 210-197
Steel carrier rail; 35 x 15 mm; 1.5 mm thick; 2 m long; slotted; similar to EN 60715; silver-colored



Item No.: 210-114
Steel carrier rail; 35 x 15 mm; 1.5 mm thick; 2 m long; unslotted; similar to EN 60715; silver-colored



Item No.: 210-118
Steel carrier rail; 35 x 15 mm; 2.3 mm thick; 2 m long; unslotted; according to EN 60715; silver-colored



Item No.: 210-112
Steel carrier rail; 35 x 7.5 mm; 1 mm thick; 2 m long; slotted; according to EN 60715; "Hole width 25 mm; silver-colored



Item No.: 210-113
Steel carrier rail; 35 x 7.5 mm; 1 mm thick; 2 m long; unslotted; according to EN 60715; silver-colored

1.1.2 Marking

1.1.2.1 Group marker carrier



Item No.: 750-107
Group marker carrier

1.1.2.2 Marker

Item No.: 2009-145/000-006
Mini-WSB Inline; for Smart Printer; 1700 pieces on roll; stretchable 5 - 5.2 mm; plain; snap-on type; blue

Item No.: 2009-145/000-007
Mini-WSB Inline; for Smart Printer; 1700 pieces on roll; stretchable 5 - 5.2 mm; plain; snap-on type; gray

Item No.: 2009-145/000-023
Mini-WSB Inline; for Smart Printer; 1700 pieces on roll; stretchable 5 - 5.2 mm; plain; snap-on type; green

Item No.: 2009-145/000-012
Mini-WSB Inline; for Smart Printer; 1700 pieces on roll; stretchable 5 - 5.2 mm; plain; snap-on type; orange

Item No.: 2009-145/000-005
Mini-WSB Inline; for Smart Printer; 1700 pieces on roll; stretchable 5 - 5.2 mm; plain; snap-on type; red

Item No.: 2009-145/000-024
Mini-WSB Inline; for Smart Printer; 1700 pieces on roll; stretchable 5 - 5.2 mm; plain; snap-on type; violet

Item No.: 2009-145
Mini-WSB Inline; for Smart Printer; 1700 pieces on roll; stretchable 5 - 5.2 mm; plain; snap-on type; white

Item No.: 2009-145/000-002
Mini-WSB Inline; for Smart Printer; 1700 pieces on roll; stretchable 5 - 5.2 mm; plain; snap-on type; yellow



Item No.: 248-501/000-006
Mini-WSB marking card; as card; not stretchable; plain; snap-on type; blue

Item No.: 248-501/000-007
Mini-WSB marking card; as card; not stretchable; plain; snap-on type; gray

Item No.: 248-501/000-023
Mini-WSB marking card; as card; not stretchable; plain; snap-on type; green

Item No.: 248-501/000-017
Mini-WSB marking card; as card; not stretchable; plain; snap-on type; light green



Item No.: 248-501/000-012
Mini-WSB marking card; as card; not stretchable; plain; snap-on type; orange

Item No.: 248-501/000-005
Mini-WSB marking card; as card; not stretchable; plain; snap-on type; red

Item No.: 248-501/000-024
Mini-WSB marking card; as card; not stretchable; plain; snap-on type; violet

Item No.: 248-501
Mini-WSB marking card; as card; not stretchable; plain; snap-on type; white



Item No.: 248-501/000-002
Mini-WSB marking card; as card; not stretchable; plain; snap-on type; yellow

1.1.2.3 Marker carrier



Item No.: 750-103
Group marker carrier

1.1.3 Shield termination

1.1.3.1 Shield clamping saddles



Item No.: 790-108
Shield clamping saddle; 11 mm wide; diameter of compatible conductor; 3 ... 8 mm



Item No.: 790-208
Shield clamping saddle; 12.4 mm wide; 3 ... 8 mm



Item No.: 790-116
Shield clamping saddle; 19 mm wide; diameter of compatible conductor; 7 ... 16 mm



Item No.: 790-216
Shield clamping saddle; 21.8 mm wide; 6 ... 16 mm



Item No.: 790-124
Shield clamping saddle; 27 mm wide; diameter of compatible conductor; 6 ... 24 mm



Item No.: 790-220
Shield clamping saddle; 30 mm wide; 6 ... 20 mm



Item No.: 790-140
Shield clamping saddle; diameter of compatible conductor

1.1.4 System enclosure

1.1.4.1 System enclosure



Item No.: 850-825

IP65 enclosure; Aluminium (RAL 7032); WxHxD (160x100x160 mm); 9 x M12, 4 x M20



Item No.: 850-826

IP65 enclosure; Aluminium (RAL 7032); WxHxD (240x100x160 mm); 4 x M20, 4 x M16, 14 x M12 cable grip



Item No.: 850-827

IP65 enclosure; Aluminium (RAL 7032); WxHxD (320x100x160 mm); 4 x M20, 8 x M16, 17 x M12 cable grip



Item No.: 850-828

IP65 enclosure; Aluminium (RAL 7032); WxHxD (480x100x160 mm); 4 x M20, 10 x M16, 35 x M12 cable grip



Item No.: 850-826/002-000

IP65 enclosure; Aluminium (RAL 7035); WxHxD (240x100x160 mm); 4 x M20, 4 x M16, 14 x M12 cable grip



Item No.: 850-827/002-000

IP65 enclosure; Aluminium (RAL 7035); WxHxD (320x100x160 mm); 4 x M20, 8 x M16, 17 x M12 cable grip



Item No.: 850-828/002-000

IP65 enclosure; Aluminium (RAL 7035); WxHxD (480x100x160 mm); 4 x M20, 10 x M16, 35 x M12 cable grip



Item No.: 850-834

IP65 enclosure; Polyester (RAL 7032); WxHxD (164x100x164 mm); 9 x M12, 4 x M20



Item No.: 850-835

IP65 enclosure; Polyester (RAL 7032); WxHxD (244x100x164 mm); 4 x M20, 4 x M16, 14 x M12 cable grip



Item No.: 850-836

IP65 enclosure; Polyester (RAL 7032); WxHxD (324x100x164 mm); 4 x M20, 8 x M16, 17 x M12 cable grip



Item No.: 850-814/002-000

IP65 enclosure; Sheet steel (RAL 7035); WxHxD (200x120x200 mm); without flange plate



Item No.: 850-815/002-000

IP65 enclosure; Sheet steel (RAL 7035); WxHxD (300x120x200 mm); without flange plate



Item No.: 850-816/002-000

IP65 enclosure; Sheet steel (RAL 7035); WxHxD (400x120x200 mm); without flange plate



Item No.: 850-817/002-000

IP65 enclosure; Sheet steel (RAL 7035); WxHxD (600x120x200 mm); without flange plate