



Features

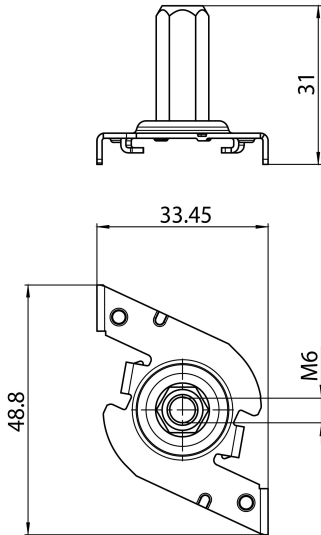
- OneTrack accessory, fast fixing clamp with M6 threaded gripper. Black.

Product Overview

Product name	ONETRACK M6 FIXING CLAMP+GRIPPER BLK S-9000/118-B
Technology	Accessory
General application	Museums & Galleries, Office
ETIM Class	EC000101
Housing colour	Black
Warranty	5 years

ONETRACK M6 FIXING CLAMP+GRIPPER BLK S-9000/118-B 9200803

Technical drawings



Data table

GENERAL DATA

Product name	ONETRACK M6 FIXING CLAMP+GRIPPER BLK S-9000/118-B
Technology	Accessory
General application	Museums & Galleries, Office
ETIM Class	EC000101
Warranty	5 years

ELECTRICAL DATA

Control gear required	No
-----------------------	----

ONETRACK M6 FIXING CLAMP+GRIPPER BLK S-9000/118-B 9200803

PHYSICAL DATA

Housing colour	Black
Nominal Product Length (mm)	48.8
Nominal Product Width (mm)	33.5
Nominal Product Height (mm)	31
Weight (kg)	0.014

PACKAGING

Single packaging type	Plastic
Packaging single length / height (cm)	3.9
Packaging single width (cm)	3.0
Packaging single depth (cm)	4.0
Units per outer package	1
Packaging outer length / height (cm)	3.9
Packaging outer width (cm)	3.0
Packaging outer depth (cm)	4.0

SAFETY DATA

Special purpose lamp	No
Dry applications use only	No
Suitable for household illumination	No